

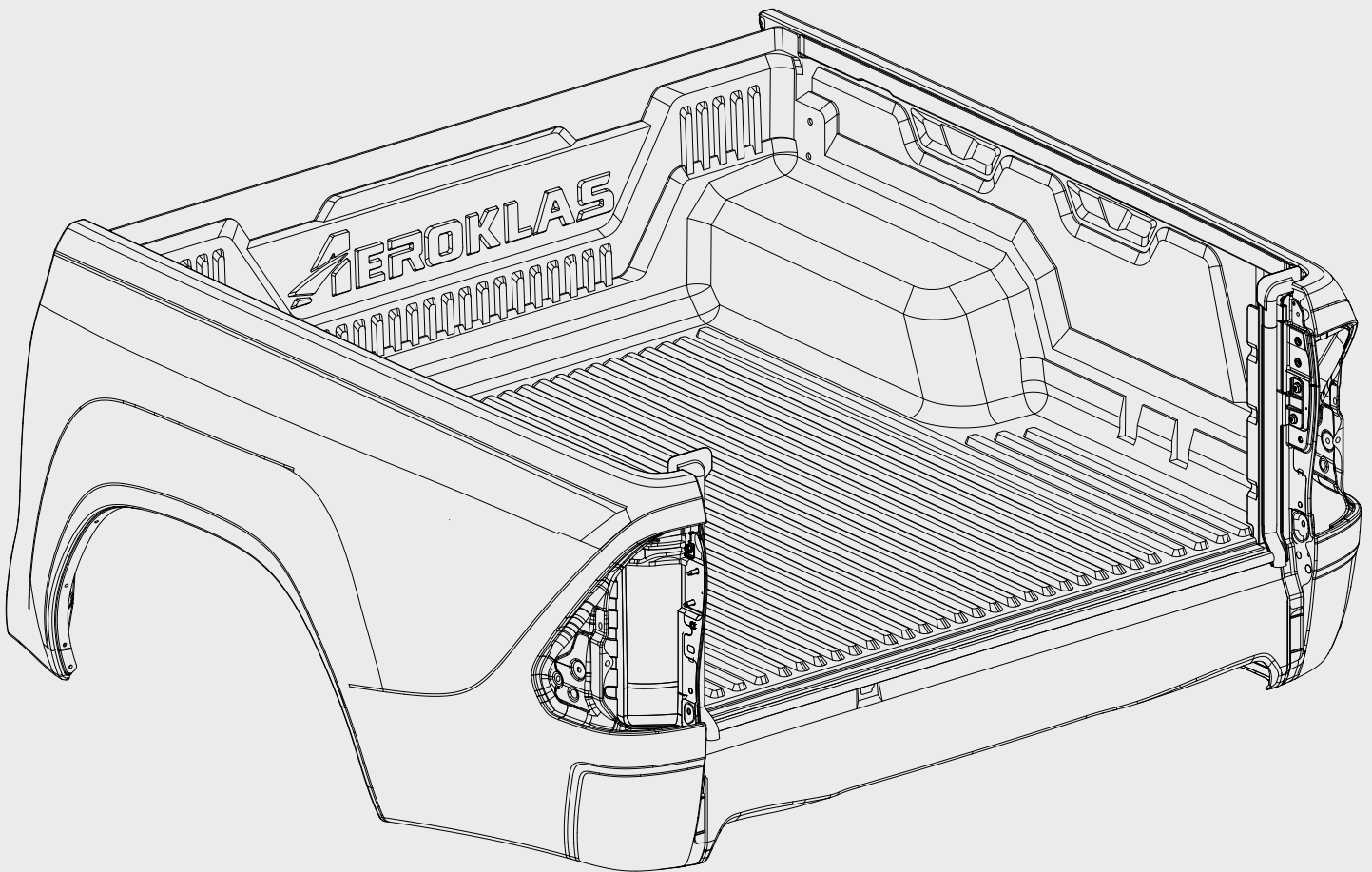
# AEROKLAS - DUST SEAL

## 102110000907 INSTALLATION MANUAL AEROKLAS DUST SEAL FOR TOYOTA REVO

Fit Time: 45 mins

### BETTER PREVENTION

1. Part for the Tailgate for beter protection against dust and water.
2. Suitable for use with vehicles equipped with roof covers.
3. Easy to install without drilling holes.
4. Passed the standard waterproof and dustproof test.

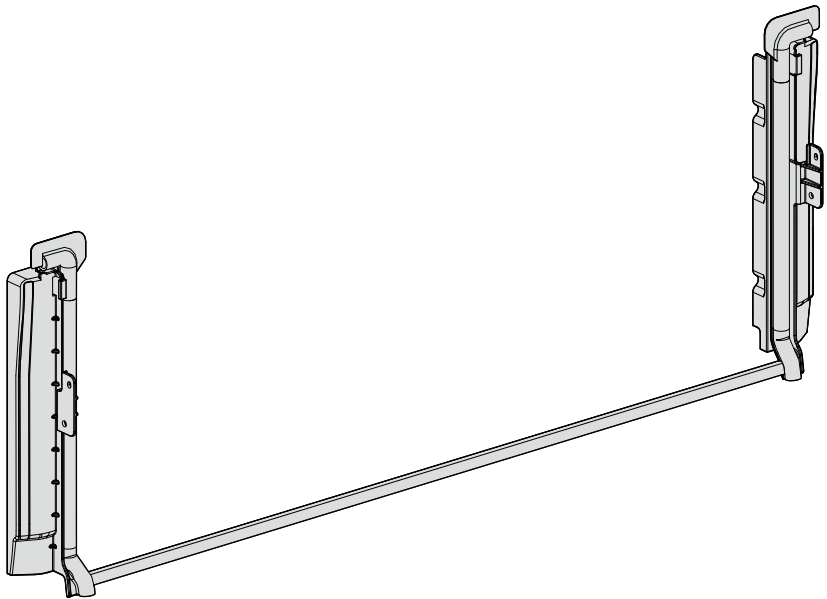
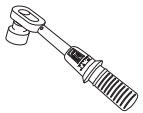


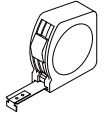
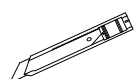




**Aeroklas Factory (Rayong)**  
111/1, 111/10 Moo 2,  
Tambol Makhamku,  
Amphur Nikompatana,  
Rayong 21180 Thailand.  
Tel: +66-3889-3599-610

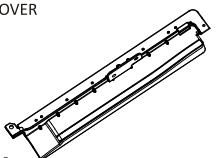
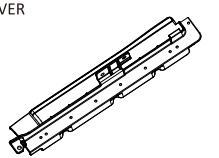
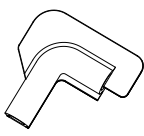
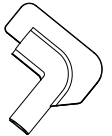
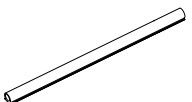


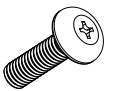
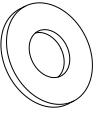
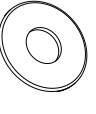

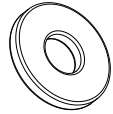


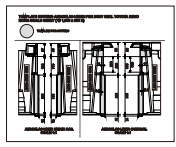
**Aeroklas Office (Bangna)**  
62 Soi Bangna-Trad 25,  
Bangna-Trad Rd., Bangna,  
Bangkok 10260 Thailand.  
Tel: +66-2744-3020

**AEROKLAS.COM**  
ITEM NO. 102110000907

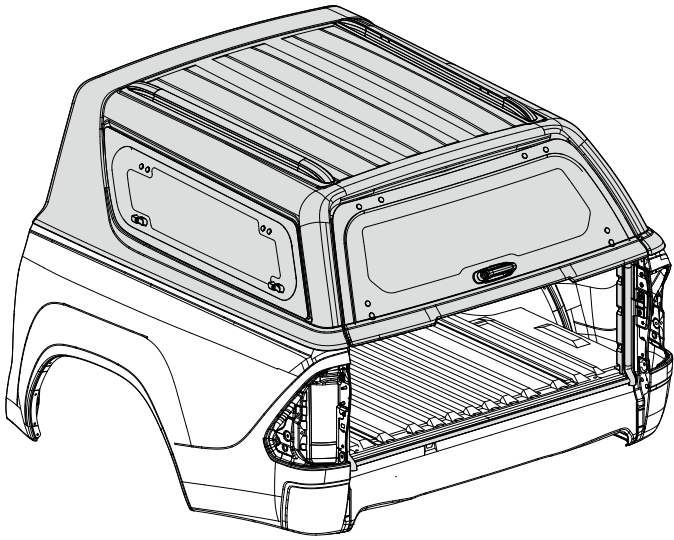
Parts List

PARTS LIST	INSTALLATION TOOLS
 <p style="margin-top: 20px;">ISOMETRIC VIEW</p>	<div style="display: flex; flex-wrap: wrap; justify-content: space-around;"> <div style="text-align: center; margin: 10px;">  <p>Reversible ratchet</p> </div> <div style="text-align: center; margin: 10px;">  <p>SOCKET 10,12mm.</p> </div> <div style="text-align: center; margin: 10px;">  <p>STEEL RULER</p> </div> <div style="text-align: center; margin: 10px;">  <p>TAPE MEASURE</p> </div> <div style="text-align: center; margin: 10px;">  <p>CUTTER</p> </div> <div style="text-align: center; margin: 10px;">  <p>CUTTING TOOL</p> </div> <div style="text-align: center; margin: 10px;">  <p>SCREWDRIVER</p> </div> </div>

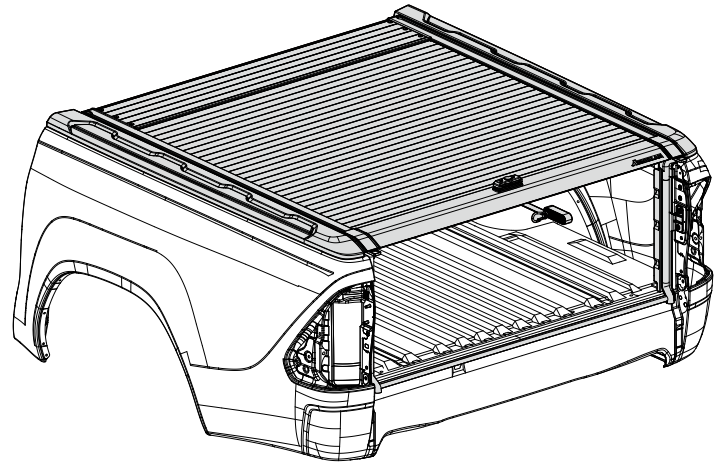
COMPONENT PART

<p>RHS COVER</p>  <p><b>A</b> x1 (10200001014)</p>	<p>LHS COVER</p>  <p><b>B</b> x1 (10200001015)</p>	<p>RHS RUBBER SEAL TOP</p>  <p><b>C</b> x1 (10211000908)</p>	<p>LHS RUBBER SEAL TOP</p>  <p><b>D</b> x1 (10211000908)</p>
<p>VERTICAL SEAL</p>  <p><b>E</b> x2 (10211000908)</p>	<p>TAILGATE SEAL</p>  <p><b>F</b> x1 (10211000908)</p>	<p>SCREW M8x30</p>  <p><b>G</b> x4 (10205000070)</p>	<p>SCREW M6x20</p>  <p><b>H</b> x2 (10206000054)</p>
<p>WASHER M8 OD18</p>  <p><b>I</b> x2 (10204000010)</p>	<p>WASHER M6x1.2 OD20</p>  <p><b>J</b> x2 (10204000040)</p>	<p>LOCK NUT M8</p>  <p><b>K</b> x2 (103140001463)</p>	<p>WASHER M8 T=3</p>  <p><b>L</b> x4 (10304000048)</p>
<p>INSTALLATION MANUAL</p>  <p><b>M</b> x1 (10211000907)</p>	<p>PRIMER</p>  <p><b>N</b> x2 (10200000326)</p>	<p>TEMPLATE</p>  <p><b>O</b> x1 (10211000909)</p>	

## PRODUCT

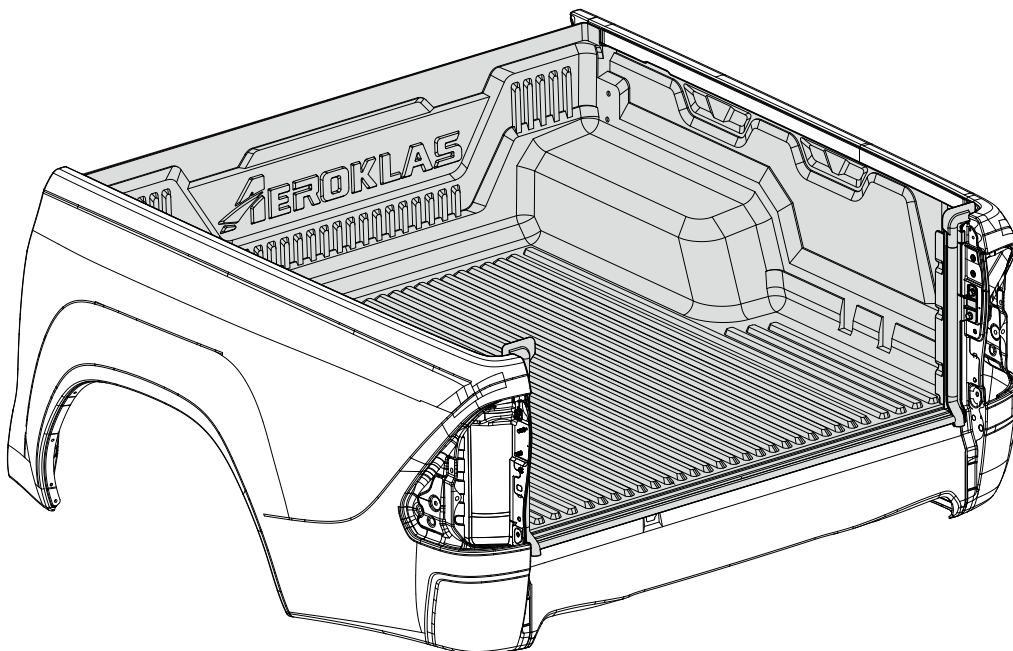


TRUCK BOX WITH AEROKLAS CANOPY

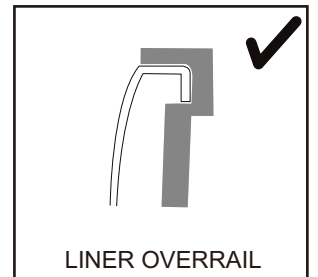


TRUCK BOX WITH AEROKLAS ROLLER LID & ROLLER LID ROCCO

## TRUCK BOX WITH AEROKLAS LINER



LINER UNDER RAIL

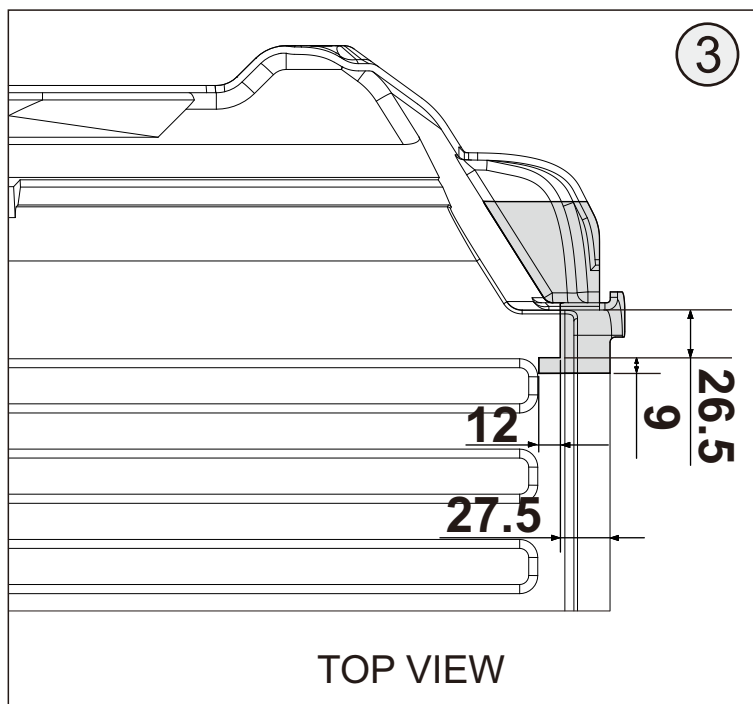
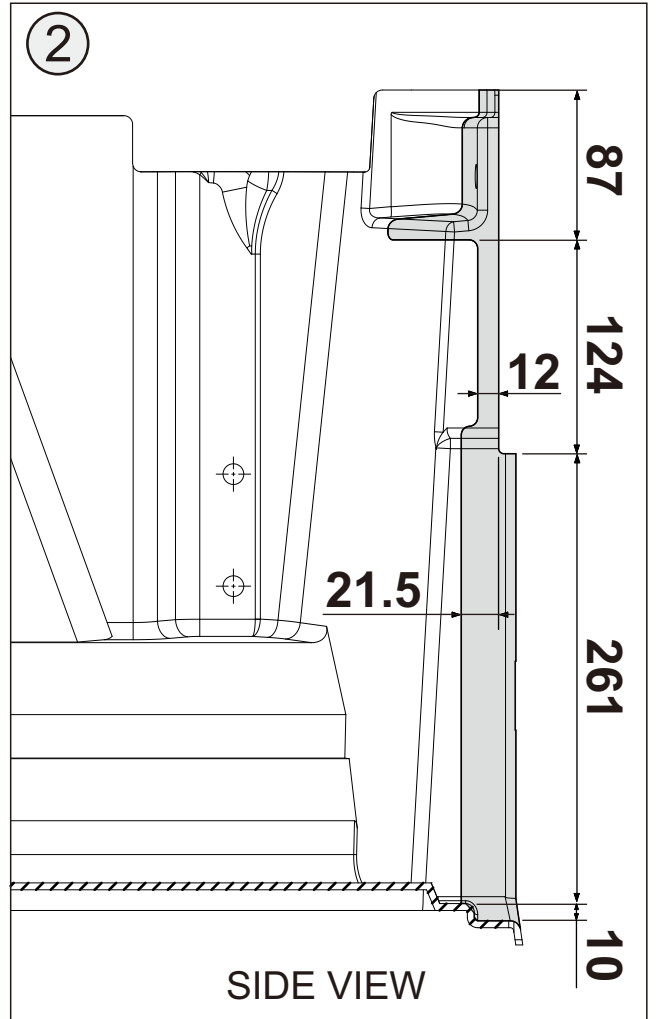
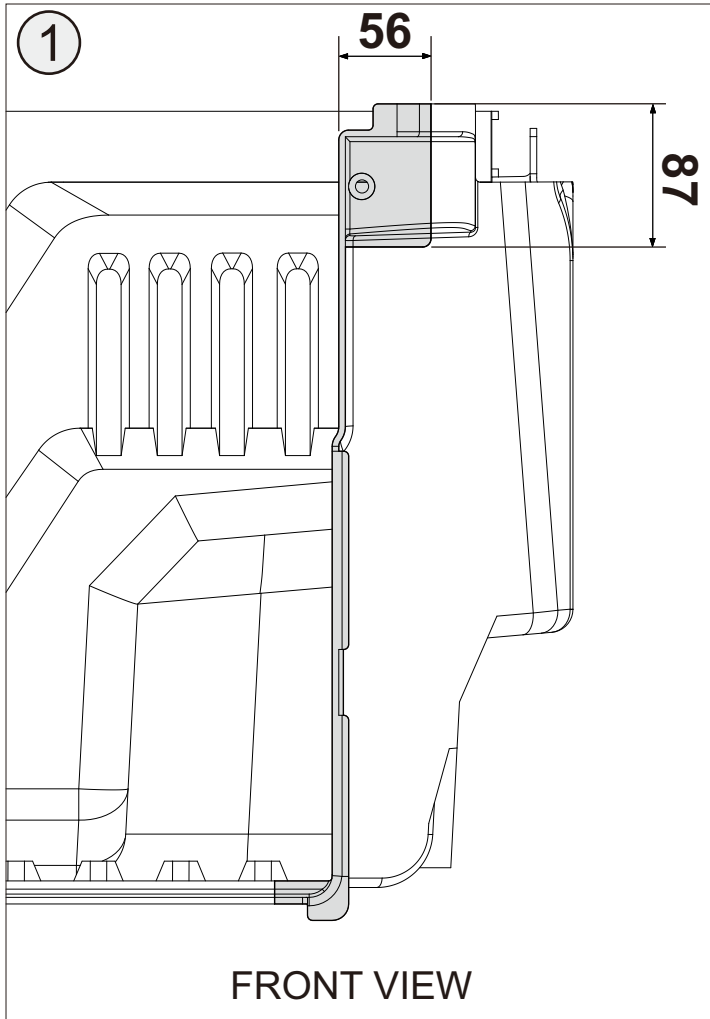


LINER OVERRAIL

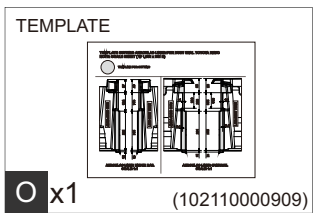
TRUCK BOX WITH AEROKLAS BED LINER UNDER RAIL

**DIMENSIONS FOR CUTTING LINER**

**AEROKLAS LINER UNDER RAIL TOYOTA REVO**

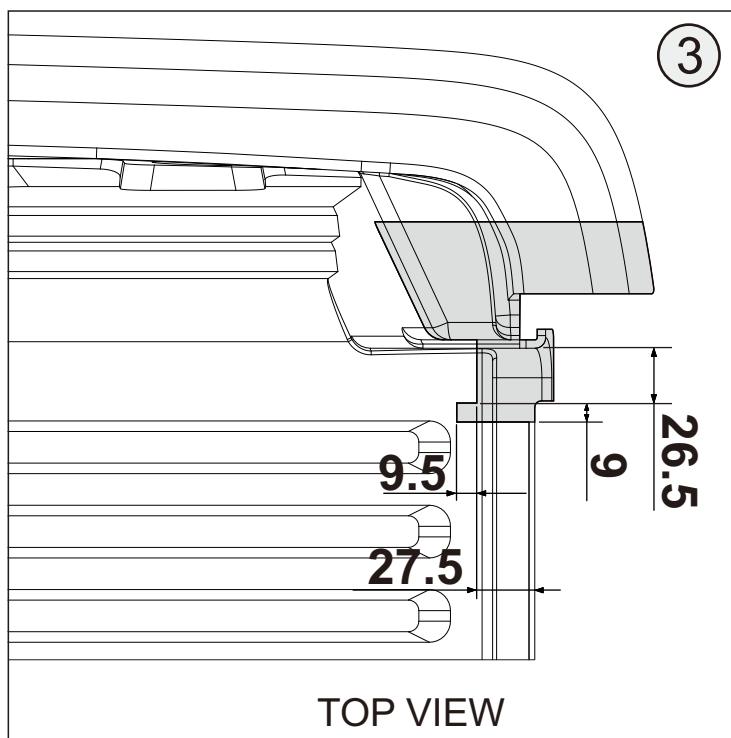
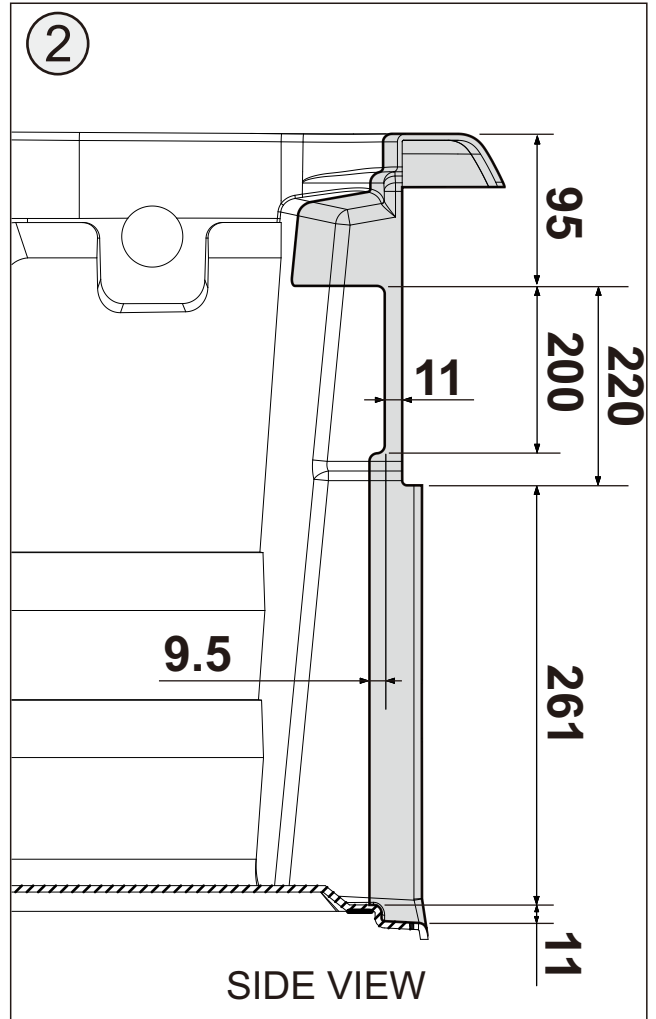
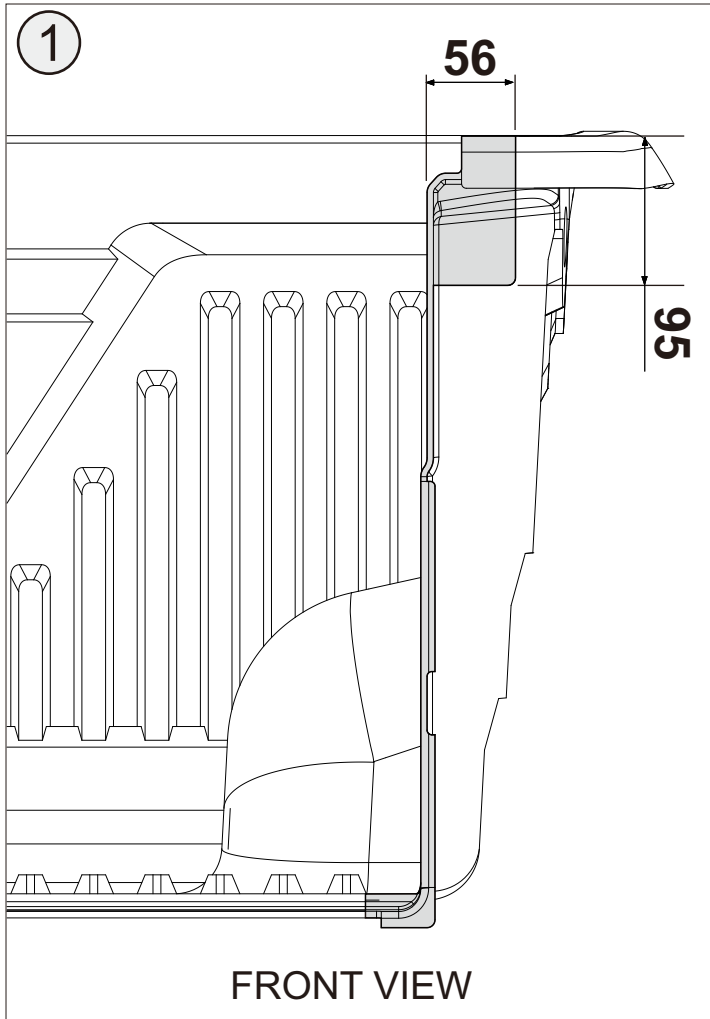


For vehicles with plastic bed liner use the Template.  
 For vehicles with spray on liner and no liner proceed to step 3 (Page 6).

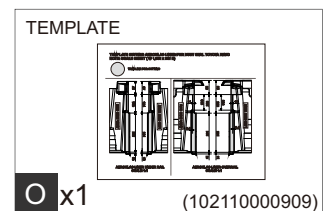
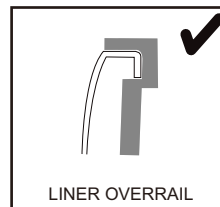


**DIMENSIONS FOR CUTTING LINER**

**AEROKLAS LINER OVERRAIL TOYOTA REVO**

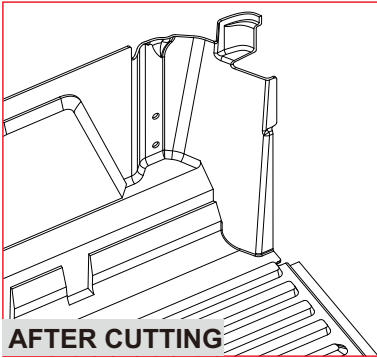
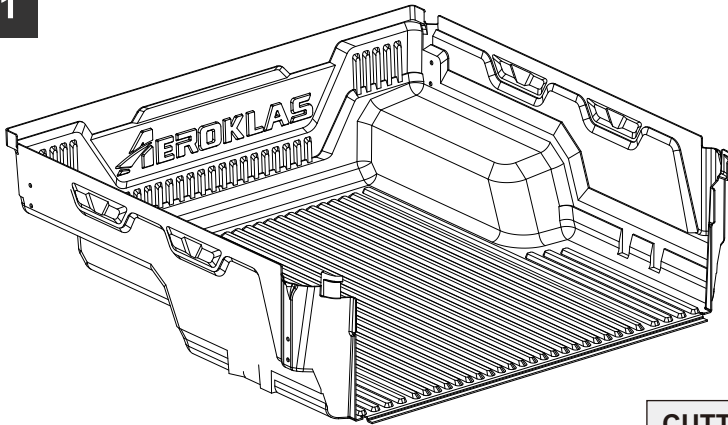


For vehicles with plastic bed liner use the Template.  
 For vehicles with spray on liner and no liner proceed to step 3 (Page 6).



# FITTING DUST SEAL

1



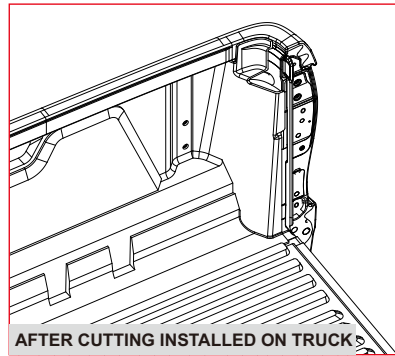
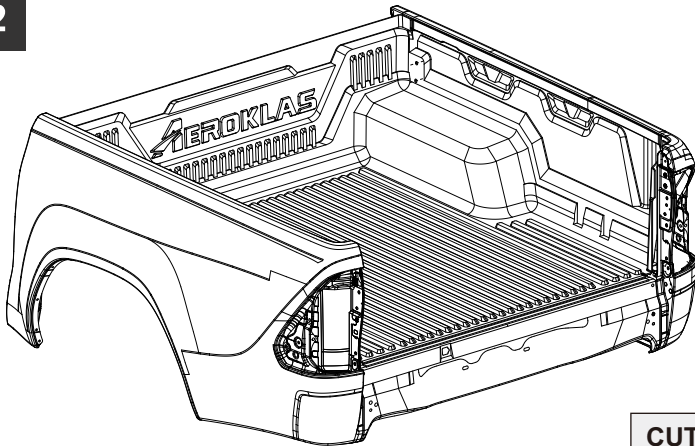
CUTTING TOOL

AFTER CUTTING

BACK VIEW

CUTTING DIMENSIONS, ACCORDING TO PAGE 4 AND 5.

2

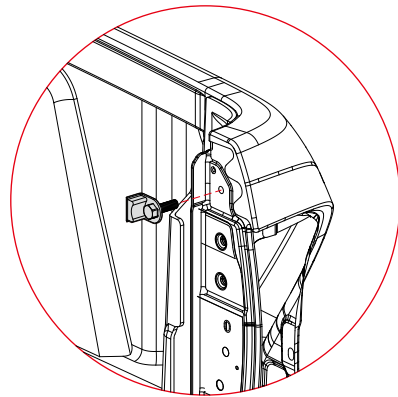
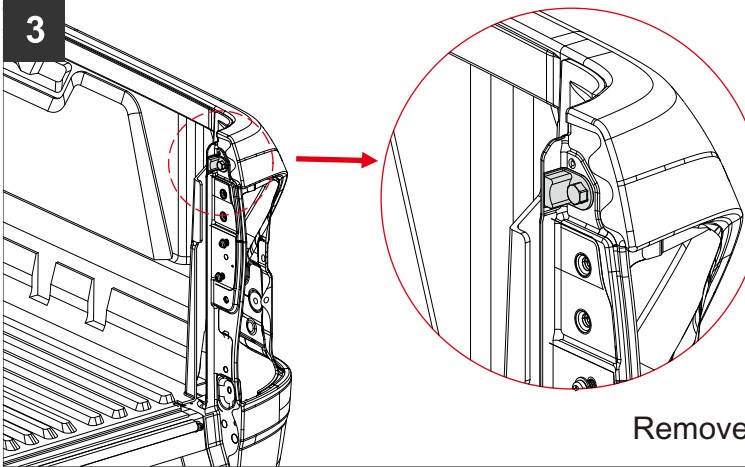


AFTER CUTTING INSTALLED ON TRUCK

BACK VIEW

CUTTING DIMENSIONS, ACCORDING TO PAGE 4 AND 5.

3



HAND TOOLS



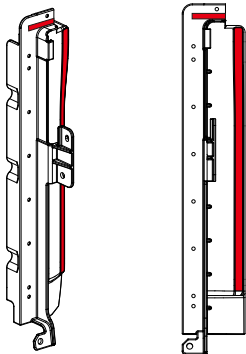
Reversible ratchet



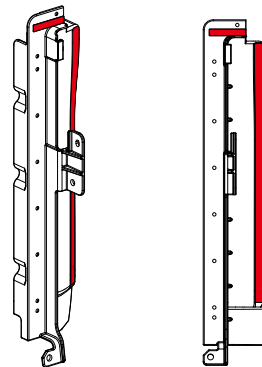
10 mm.Socket

Remove the screws

4

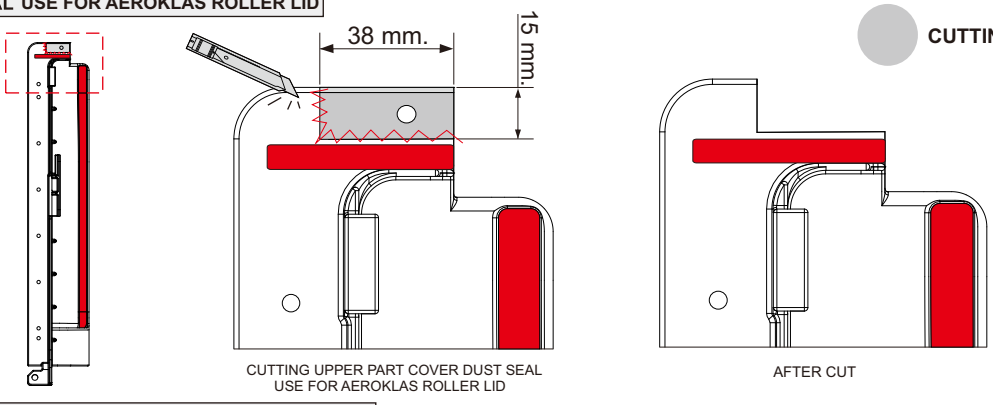


COVER DUST SEAL USE FOR AEROKLAS CANOPY



COVER DUST SEAL USE FOR AEROKLAS ROLLER LID

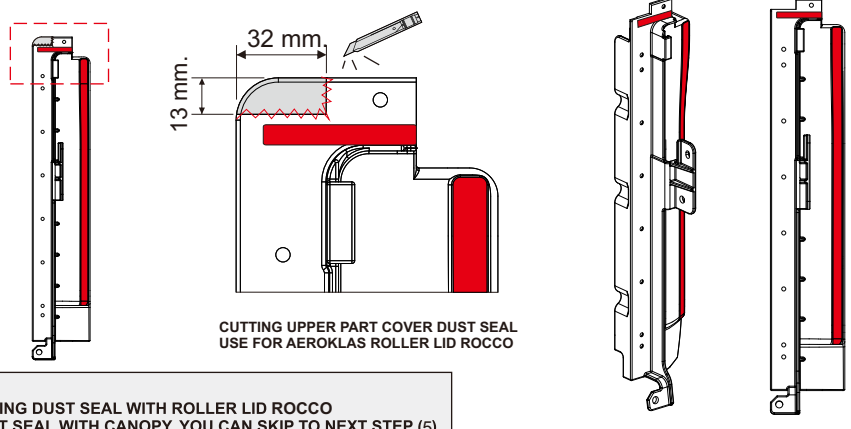
**4.1 COVER DUST SEAL USE FOR AEROKLAS ROLLER LID**



CUTTING THIS AREA

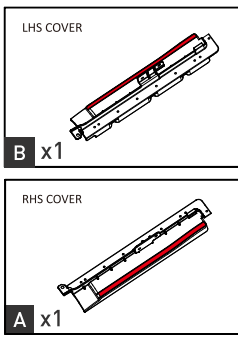
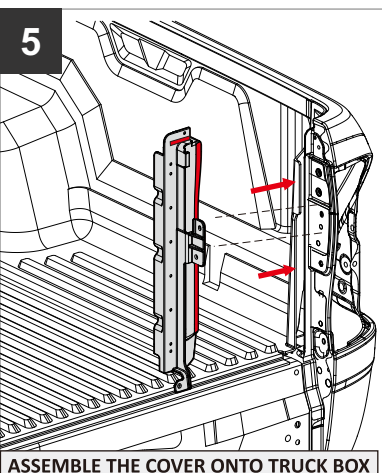
**NOTE:**  
 1. THIS STEP FOR USING DUST SEAL WITH ROLLER LID  
 2. IF YOU USING DUST SEAL WITH CANOPY, YOU CAN SKIP TO NEXT STEP (5).

**4.2 COVER DUST SEAL USE FOR AEROKLAS ROLLER LID ROCCO**

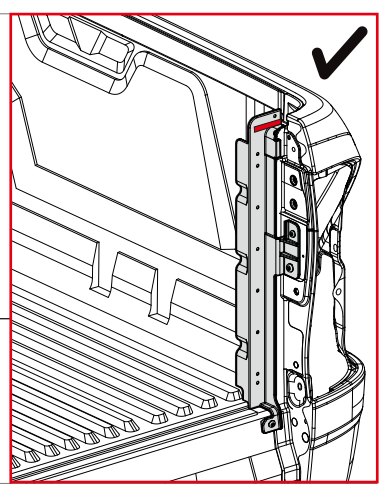
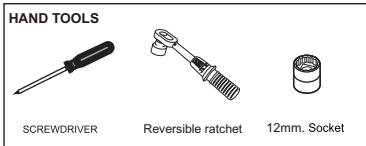
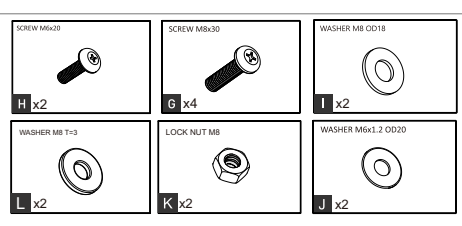
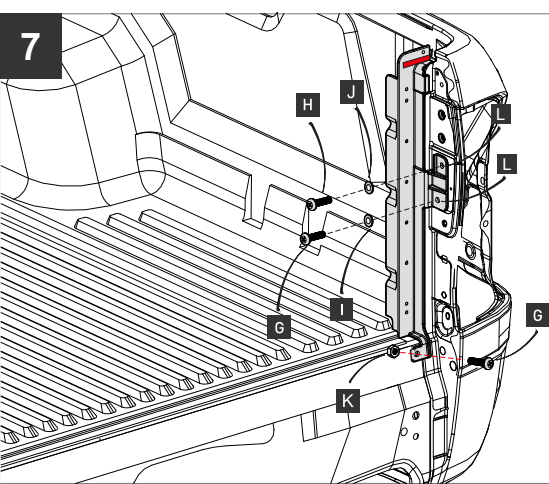
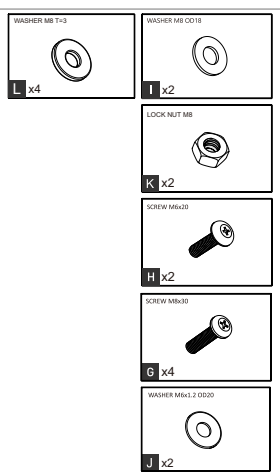
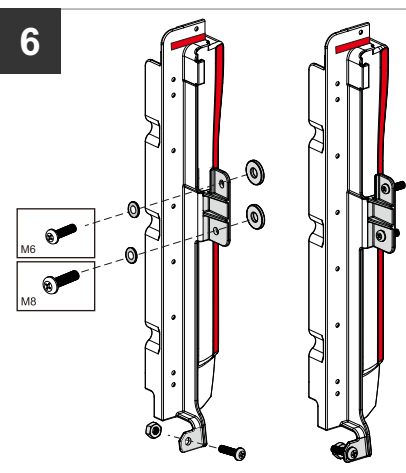


CUTTING THIS AREA

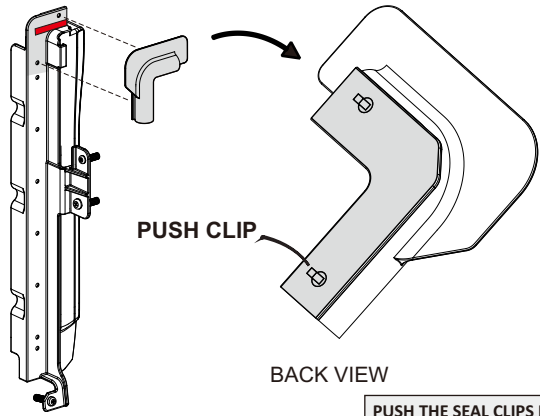
**NOTE:**  
 1. THIS STEP FOR USING DUST SEAL WITH ROLLER LID ROCCO  
 2. IF YOU USING DUST SEAL WITH CANOPY, YOU CAN SKIP TO NEXT STEP (5).



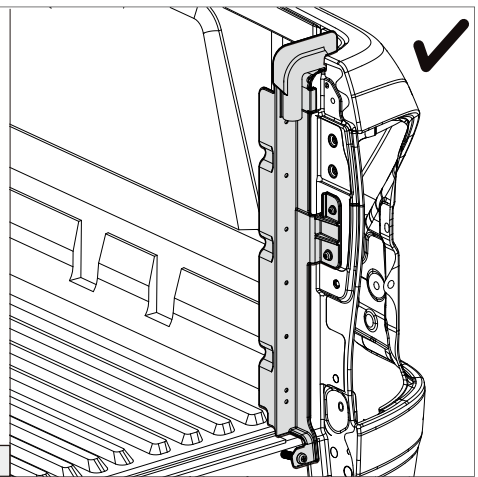
ASSEMBLE THE COVER ONTO TRUCK BOX



**8.1** COVER DUST SEAL USE FOR AEROKLAS CANOPY

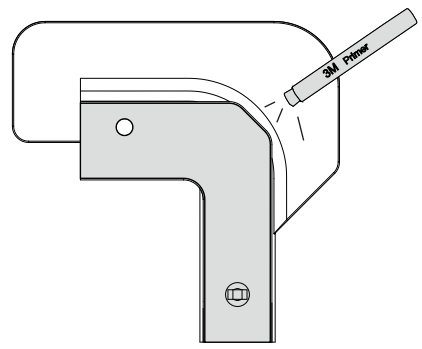
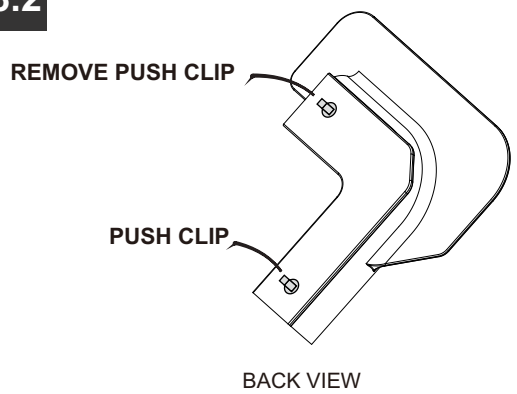


- RHS RUBBER SEAL TOP  
**C** x1
- LHS RUBBER SEAL TOP  
**D** x1



PUSH THE SEAL CLIPS INTO THE MOUNTING HOLES.

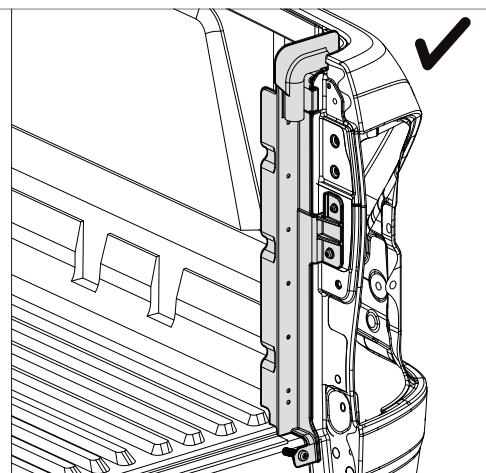
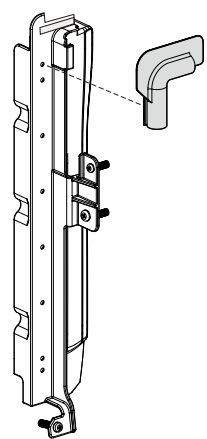
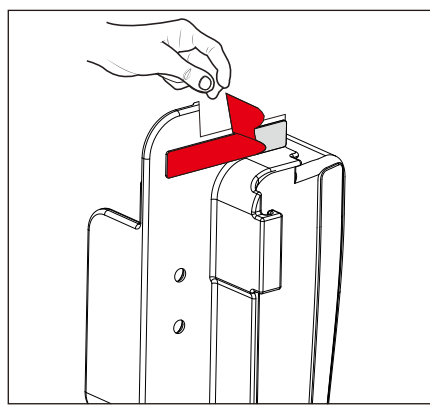
**8.2** COVER DUST SEAL USE FOR AEROKLAS ROLLER LID



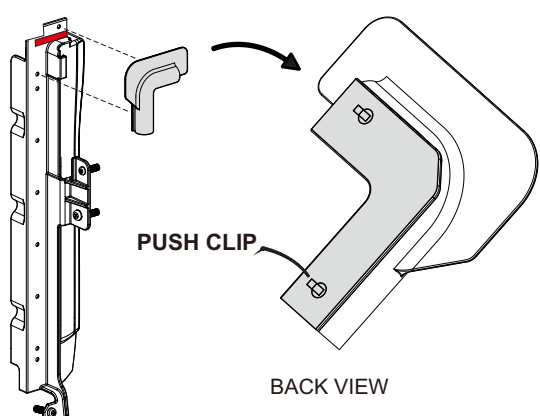
- RHS RUBBER SEAL TOP  
**C** x1
- LHS RUBBER SEAL TOP  
**D** x1
- PRIMER  
**O** x2 (10200000326)

PLEASE CLEAN SURFACE HERE AND APPLY PRIMER

**8.3** COVER DUST SEAL USE FOR AEROKLAS ROLLER LID



**8.4** COVER DUST SEAL USE FOR AEROKLAS ROLLER LID ROCCO



- RHS RUBBER SEAL TOP  
**C** x1
- LHS RUBBER SEAL TOP  
**D** x1

