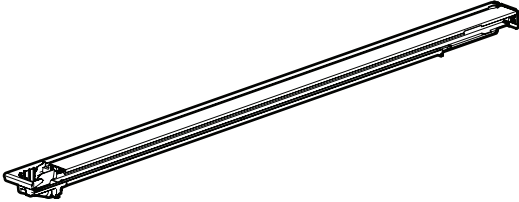
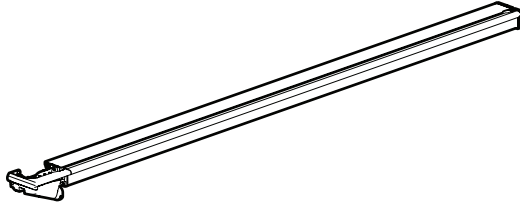
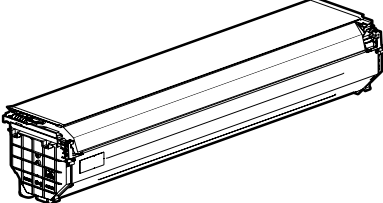
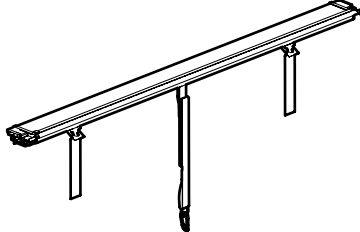





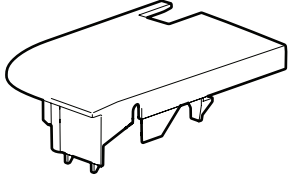
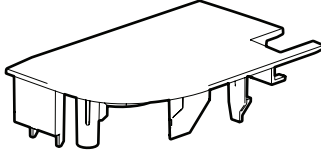
# **MOUNTAIN TOP® EVOm**

Installation manual

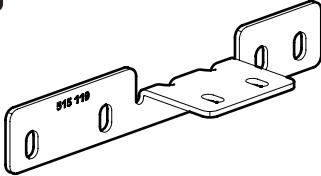
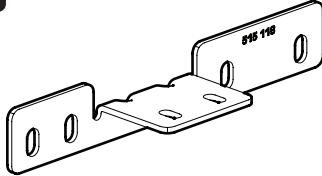
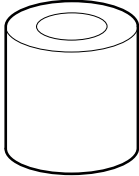
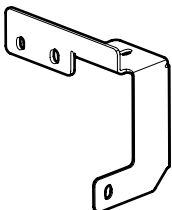
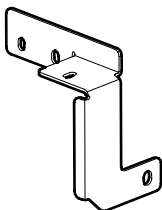
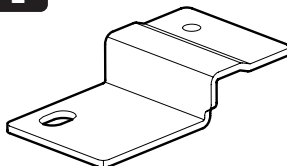
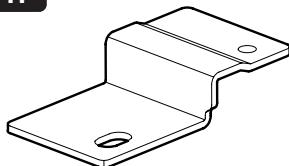
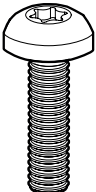
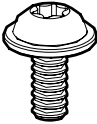
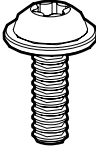
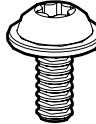

Parts

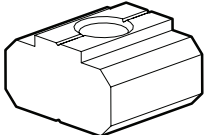
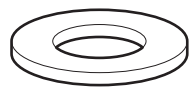

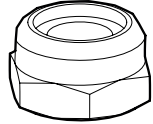
<p><b>A</b></p>  <p>x1</p>	<p><b>B</b></p>  <p>x1</p>
<p><b>C</b></p>  <p>x1</p>	<p><b>D</b></p>  <p>x1</p> <div style="border: 1px dashed black; padding: 2px; display: inline-block;"> <p><b>02</b></p>  <p>x1</p> </div>

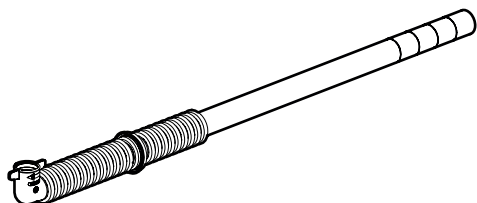
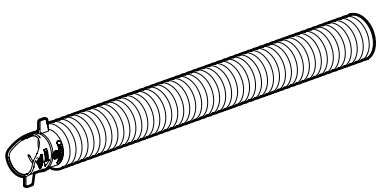


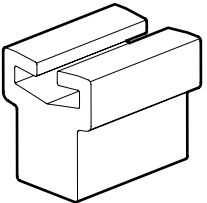
Kit

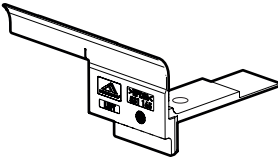
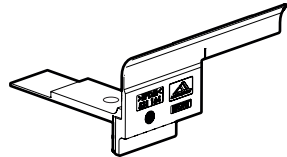
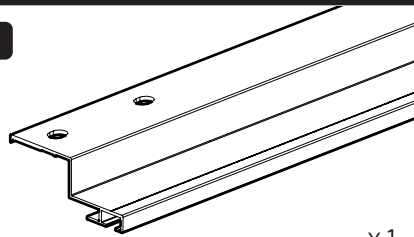
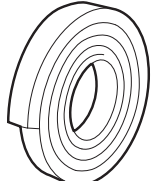
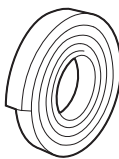
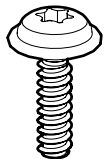
<p><b>E</b></p>  <p>LEFT x1</p>	<p><b>F</b></p>  <p>RIGHT x1</p>
--	--

Kit

<p><b>G</b></p>  <p>LEFT x1</p>	<p><b>H</b></p>  <p>RIGHT x1</p>	<p><b>I</b></p>  <p>x2</p>		
<p><b>J</b></p>  <p>LEFT x1</p>	<p><b>K</b></p>  <p>RIGHT x1</p>	<p><b>L</b></p>  <p>LEFT x1</p>	<p><b>M</b></p>  <p>RIGHT x1</p>	
<p><b>N</b></p>  <p>M8x30 BLACK x6</p>	<p><b>O</b></p>  <p>M6x12 x6</p>	<p><b>P</b></p>  <p>M6x20 x10</p>	<p><b>Q</b></p>  <p>M6x12 BLACK x2</p>	<p><b>P2</b></p>  <p>M6x16 x4</p>

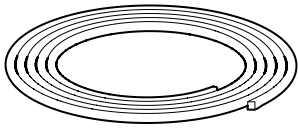
Kit			
<b>R</b>  x 2	<b>S</b>  M6 x 10	<b>T</b>  M8 BLACK x 2	<b>U</b>  M6 x 10

Kit			
<b>V</b>  x 2	<b>W</b>  x 2	<b>X</b>  x 2	<b>Y</b>  x 2
		<b>Z</b>  x 4	

Kit			
<b>A2</b>  x 1	<b>B2</b>  x 1	<b>C2</b>  x 1	
<b>F2</b>  6x25mm x 1	<b>G2</b>  6x10mm x 1	<b>H2</b>  M5x14 x 2	

Kit

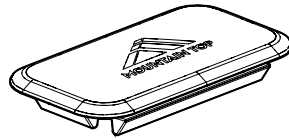
I2



14x14MM

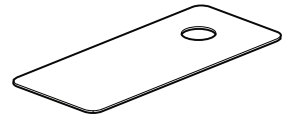
x 2

J2



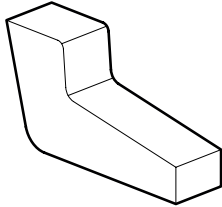
x 6

K2



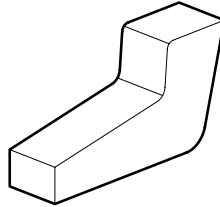
x 2

L2



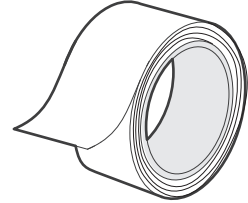
x 1

M2



x 1

N2



x 2

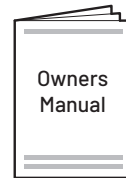
Manuals



x 1

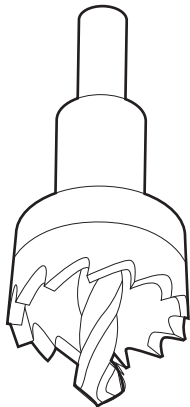


x 1

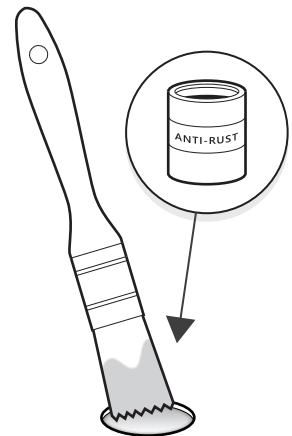
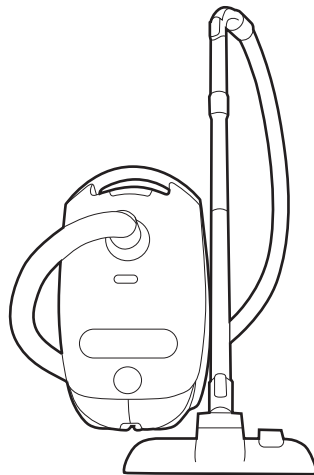


x 1

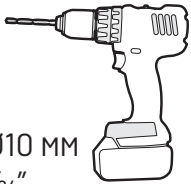
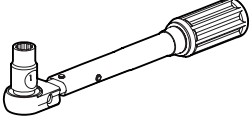

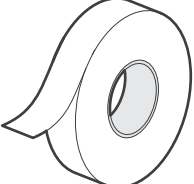
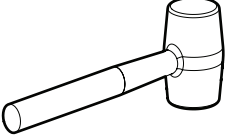
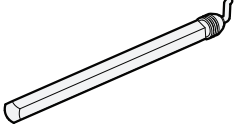
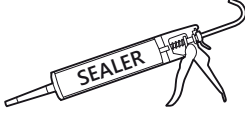
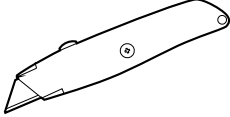
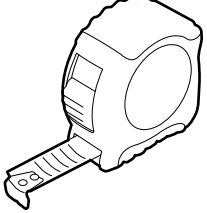


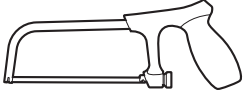



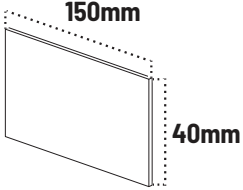
Applying rust protection



Ø18 / Ø30 / Ø50 mm  
3/4" / 1 3/16" / 2"



Tools needed

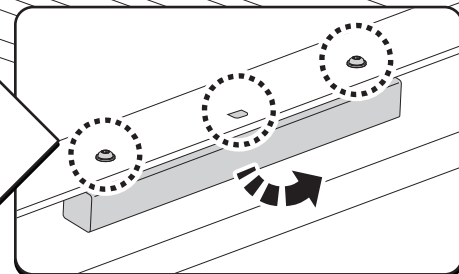
 <p>Ø3.5 + Ø10 MM 9/64" + 25/64"</p>	<p>2 - 15 Nm</p>  <p>⊕ T20, T30, T45</p>	 <p>Rust protection Rostschutzmittel Anti-rouille Anti roest</p>	
		 <p>Silicone (RTV)</p>	
			
 <p>SUPER GLUE (CA)</p>	 <p>LOCTITE 243</p>	 <p>CLEANER</p>	 <p>150mm 40mm WOOD / PLASTIC BOARD</p>

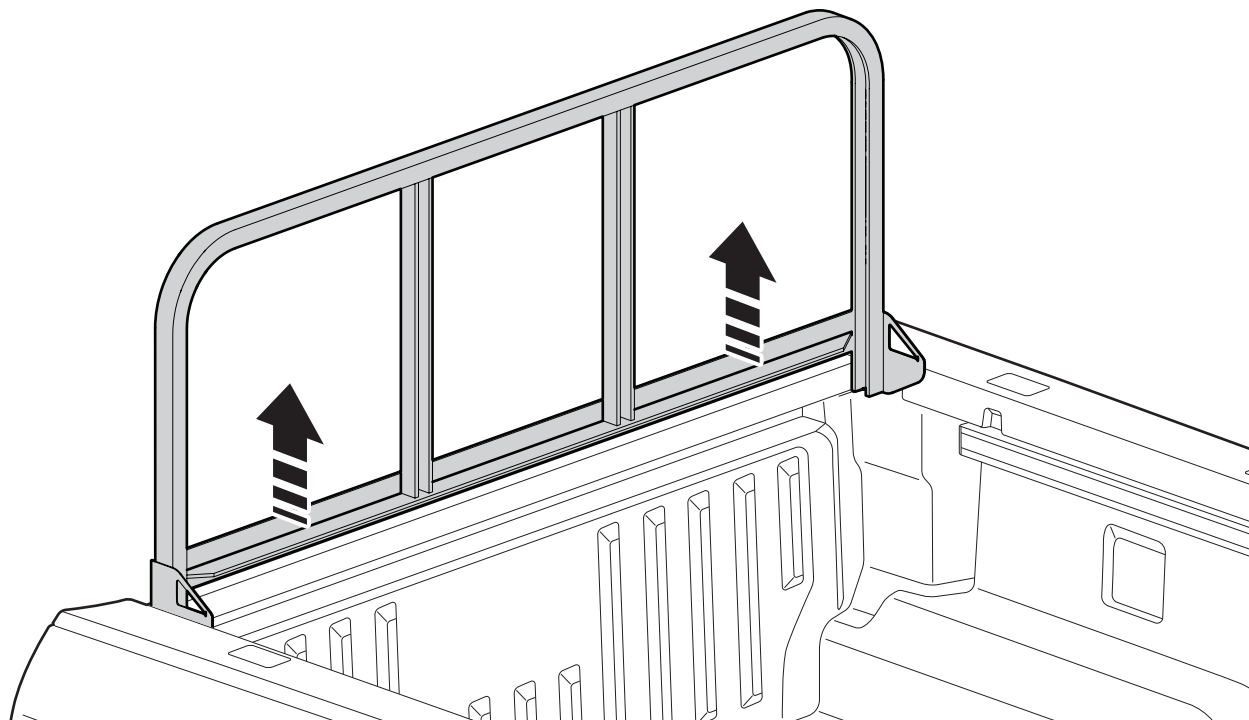


**If sheet metal is scratched during installation,  
apply rust protection to damaged areas**

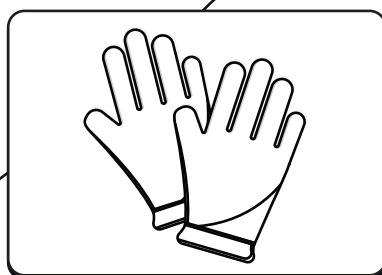


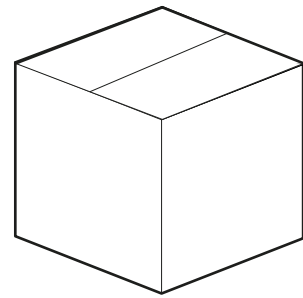
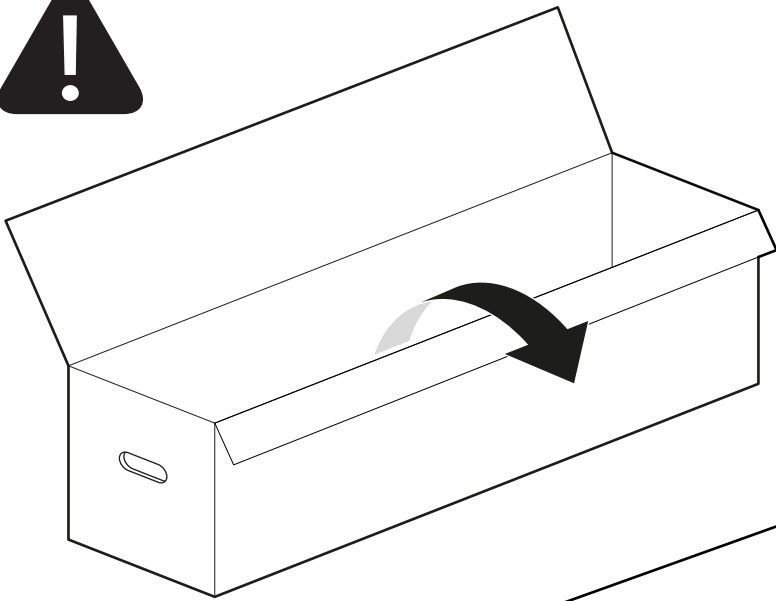
**Remove mass damper on tub  
headboard prior to installing  
Rollershutter (only applicable to  
RAP CAB Variants)**



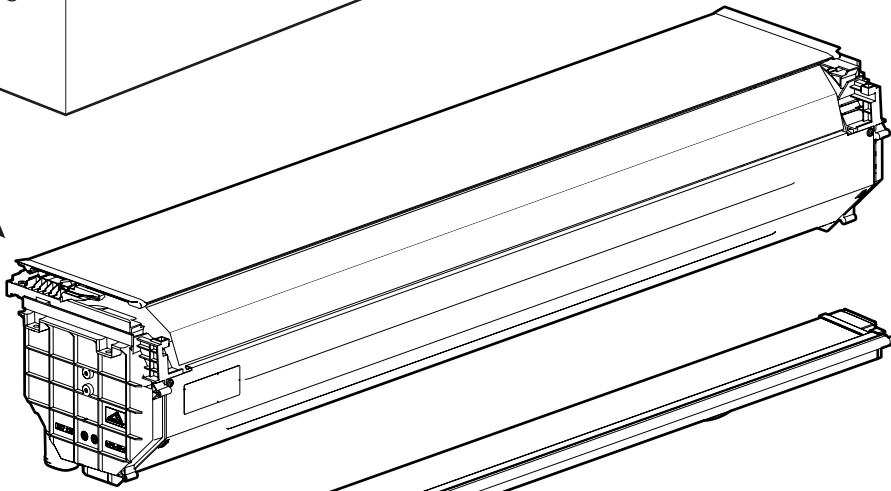


**Rollershutter not compatible with load rest bar - part cannot be re-installed once Rollershutter have been installed (store parts)**

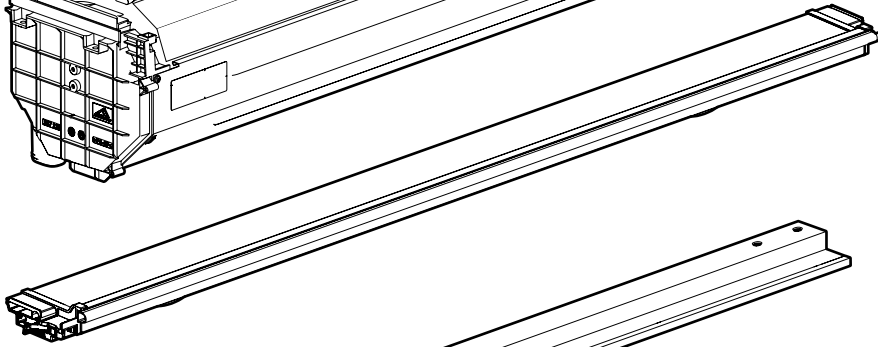




**C**



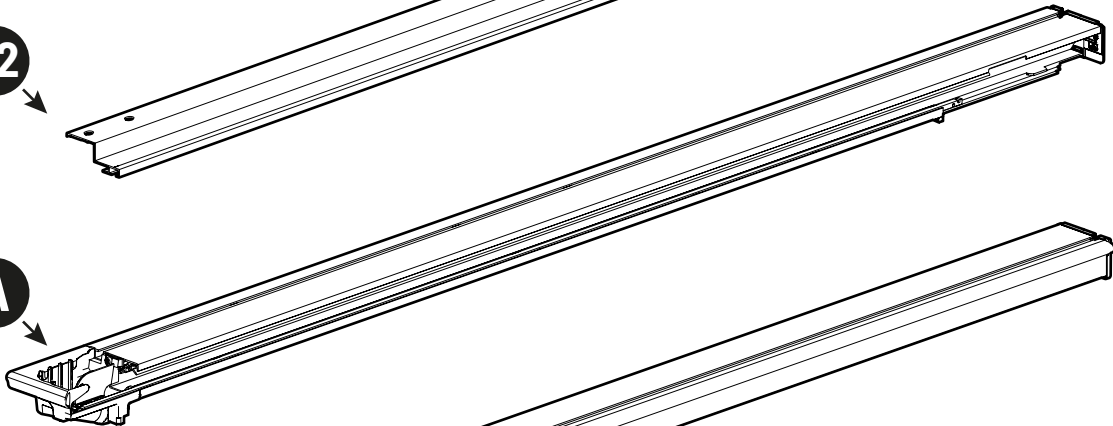
**D**



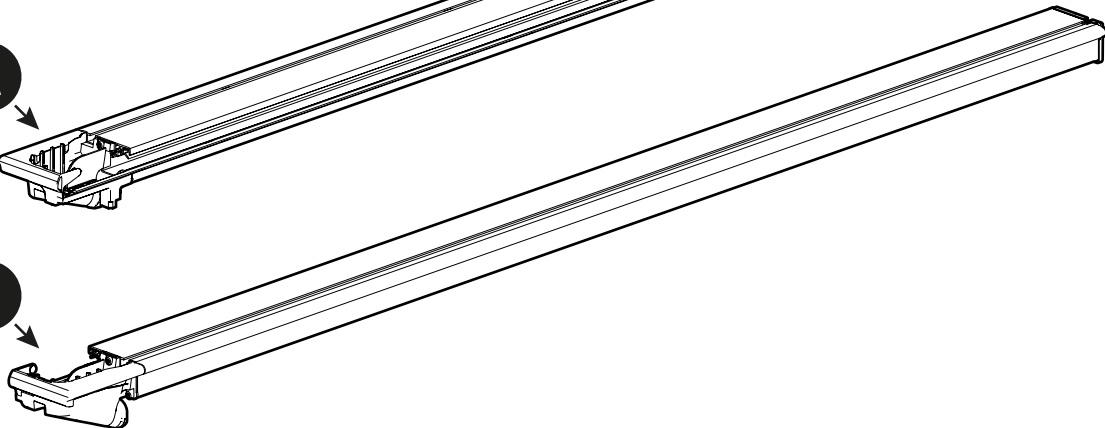
**C2**



**A**



**B**

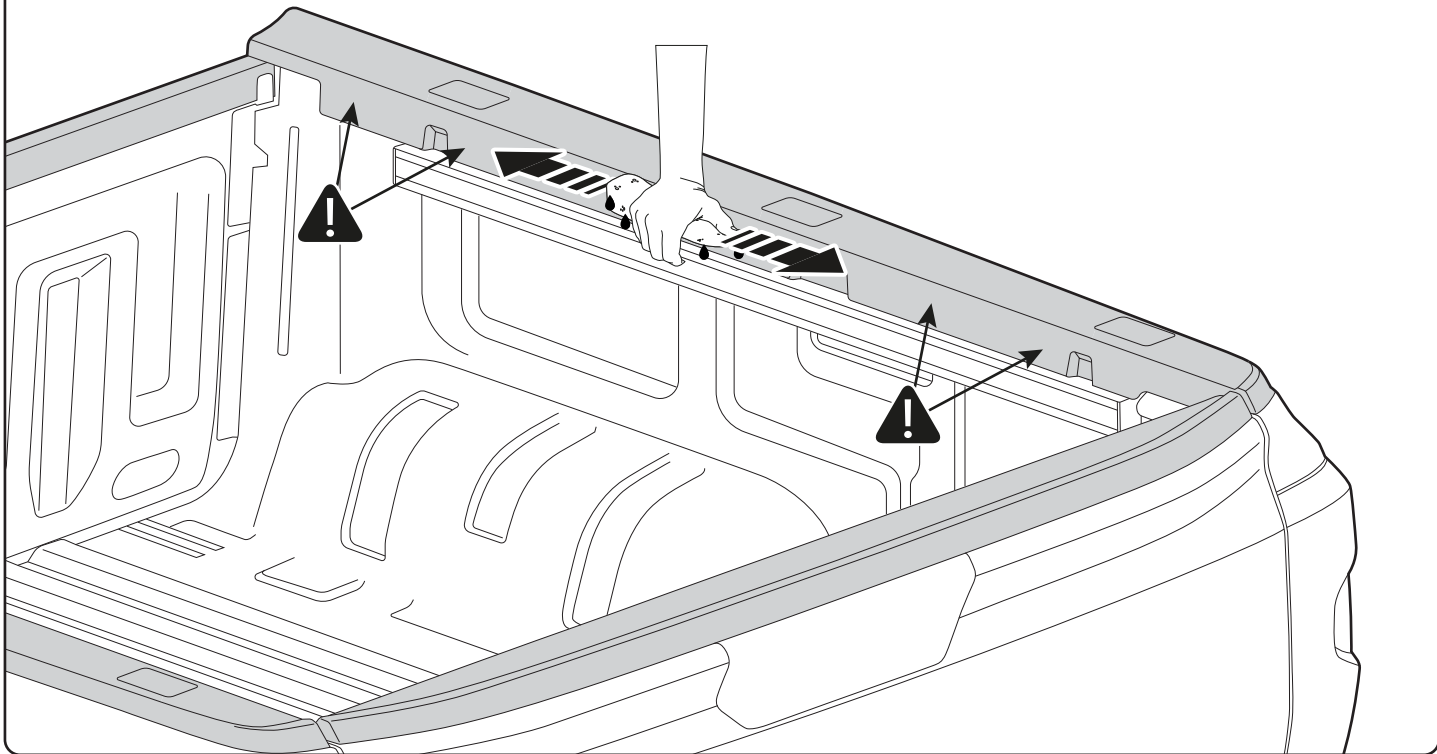




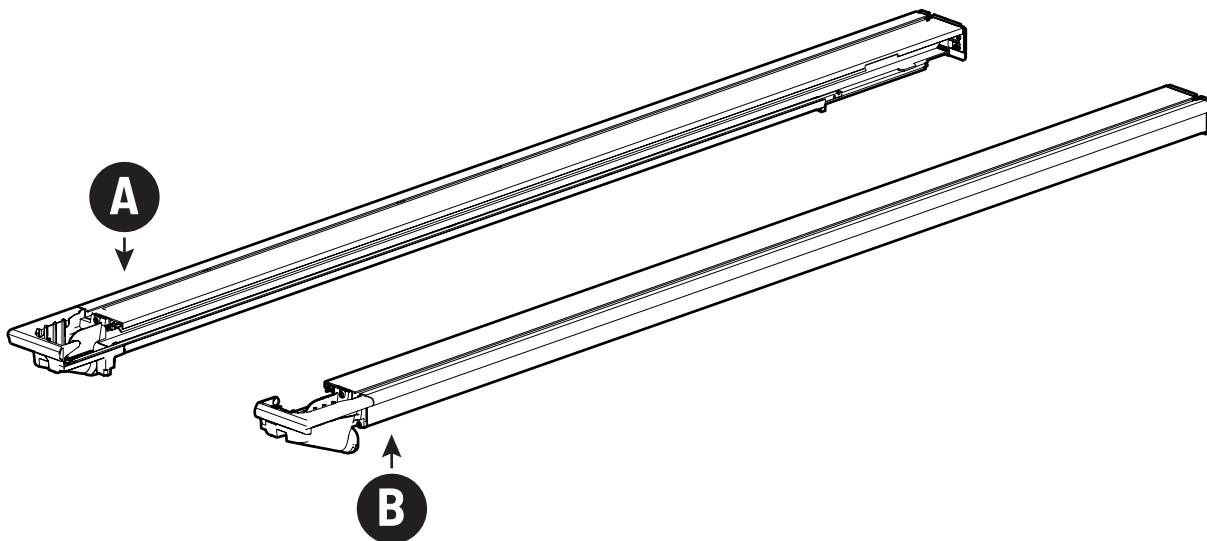
 Water & sponge

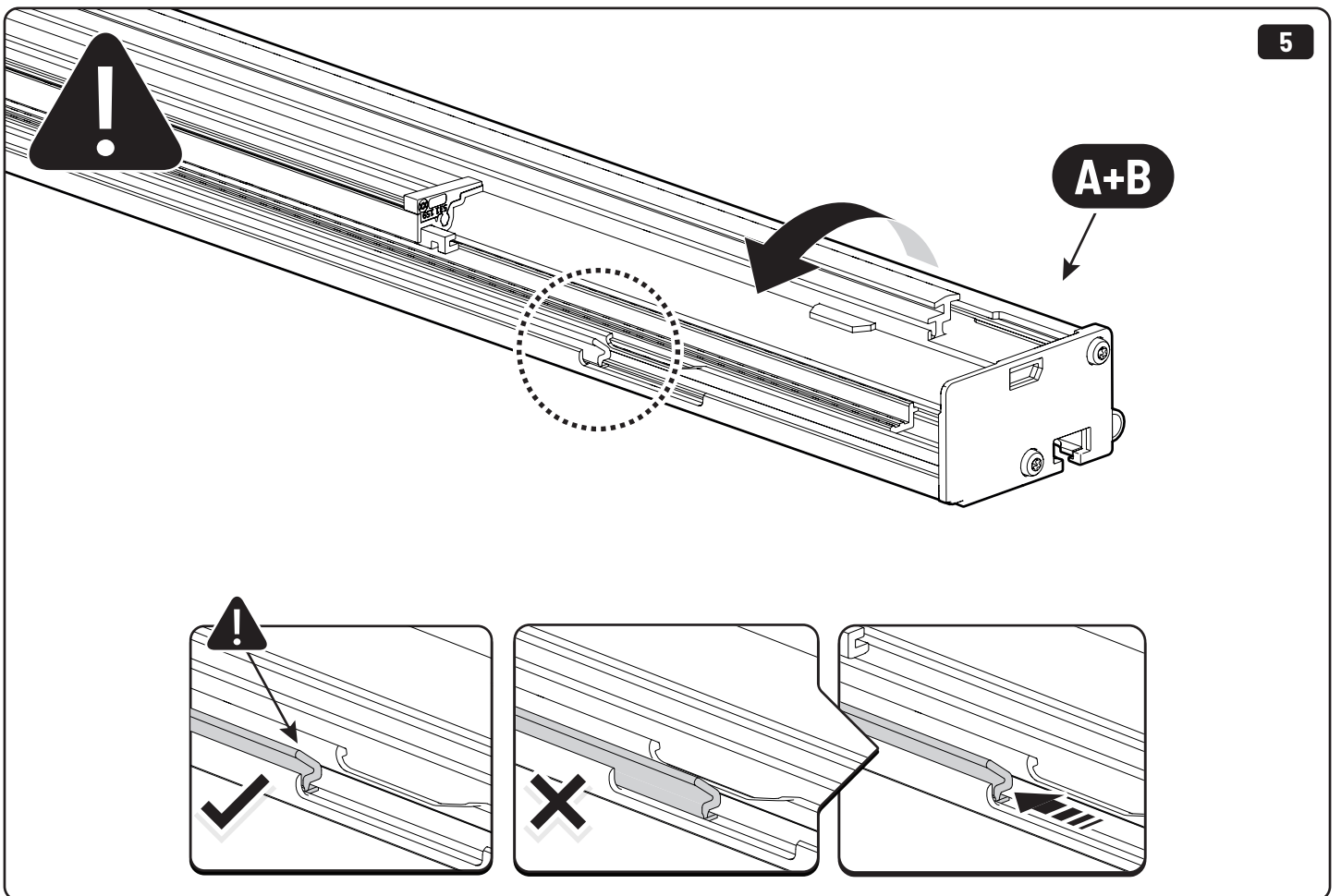
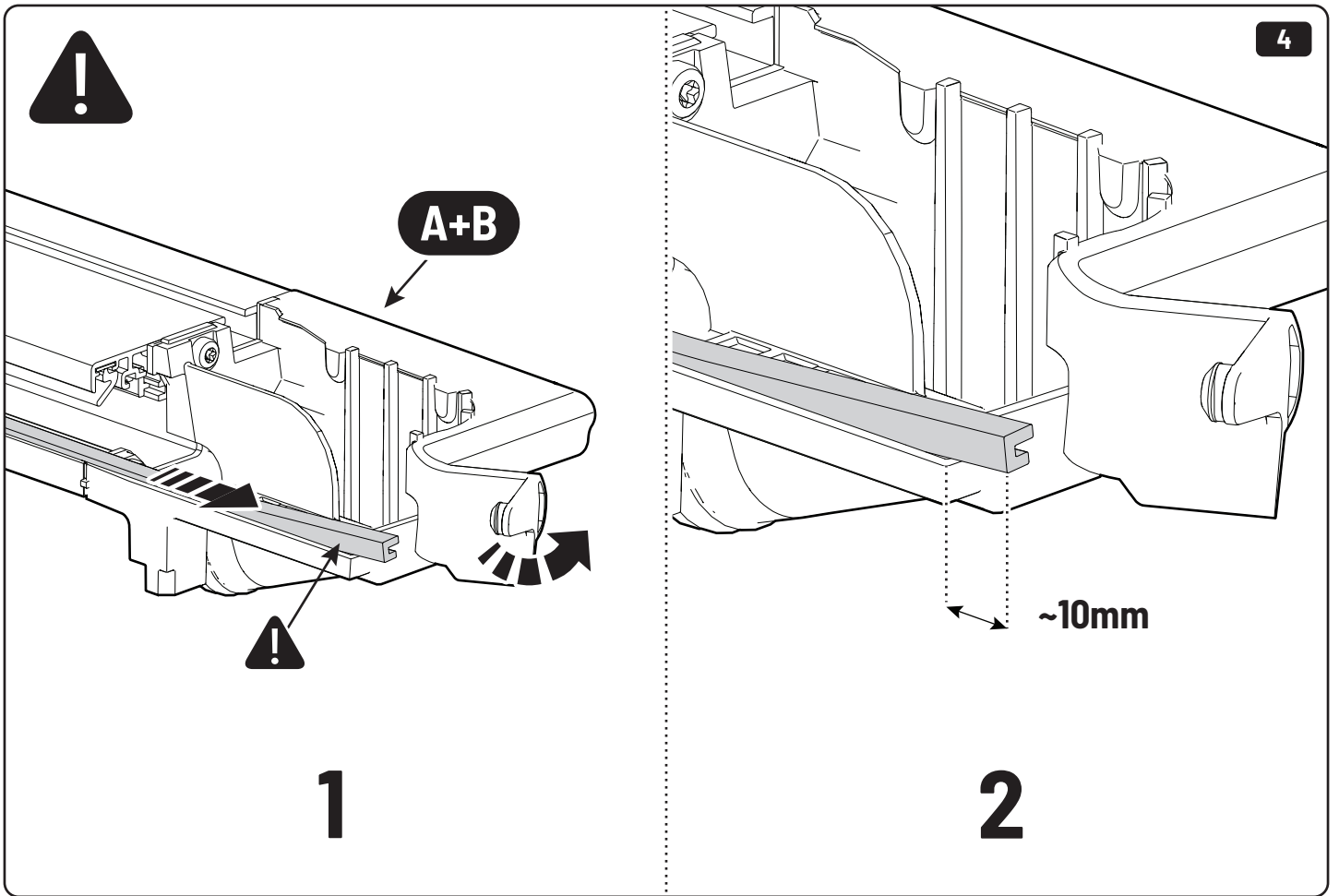


2

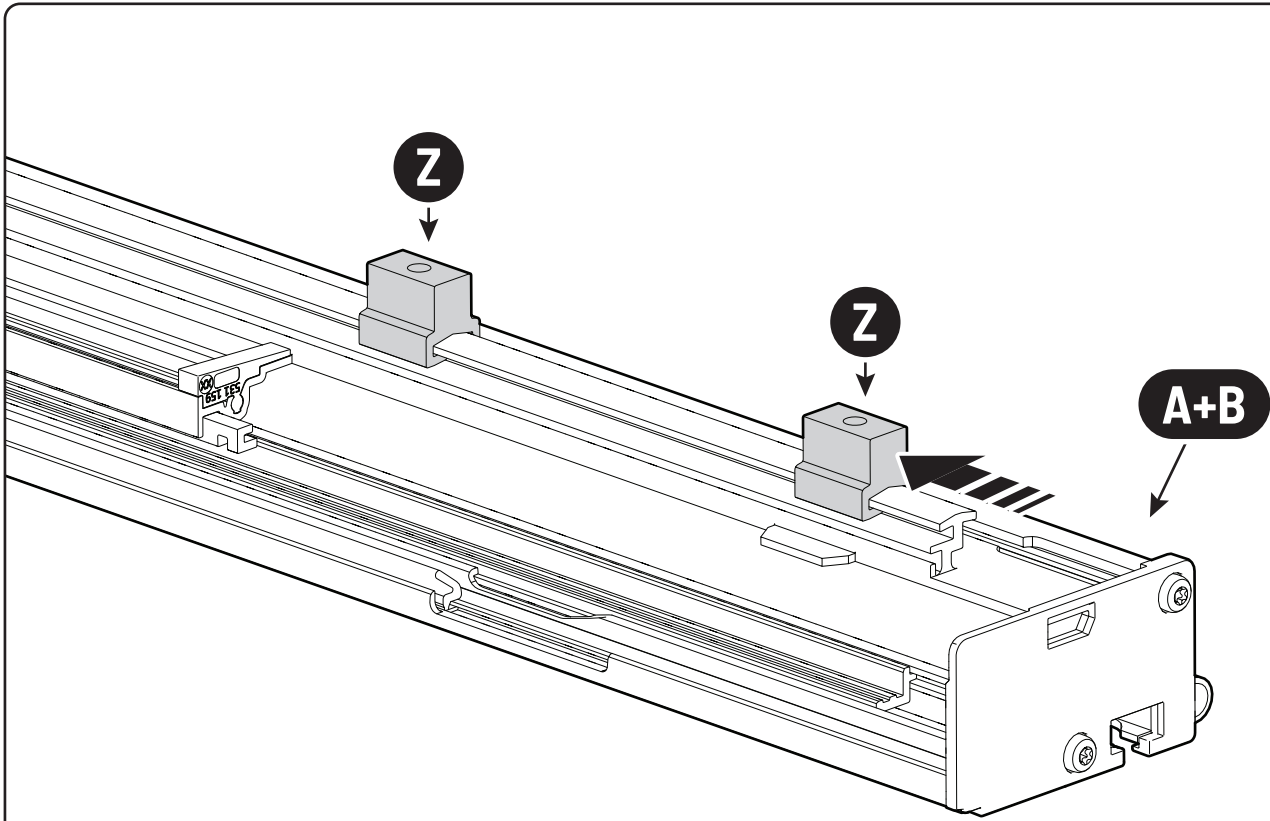
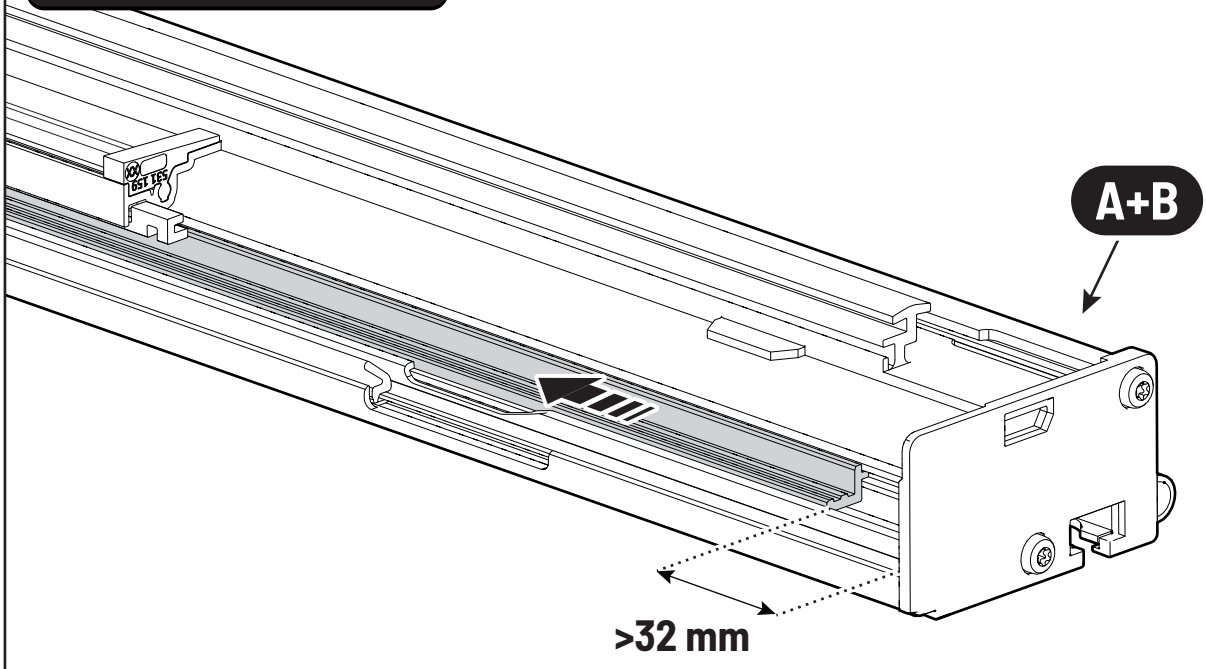


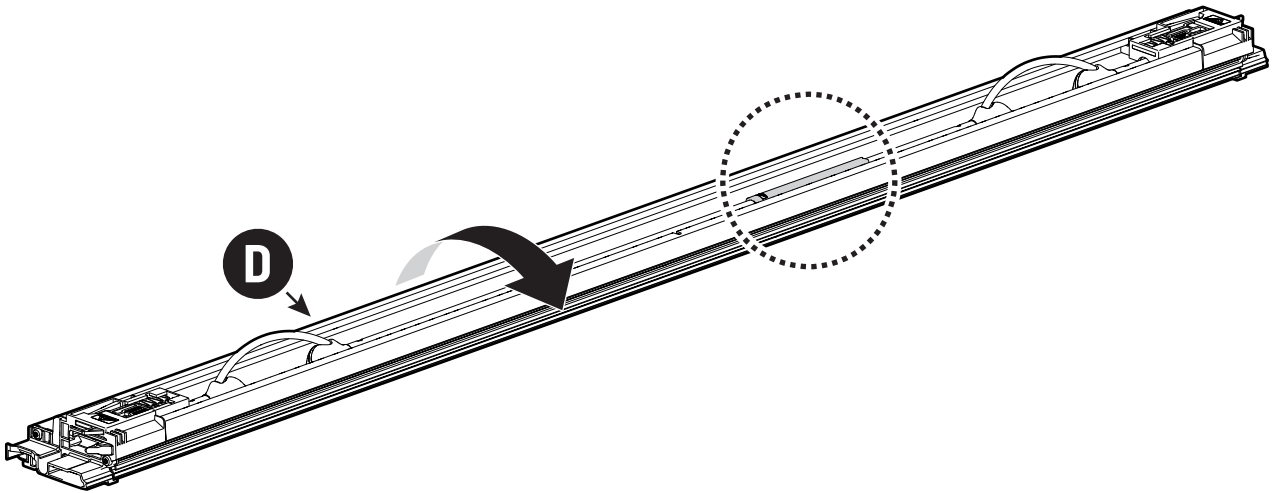
3



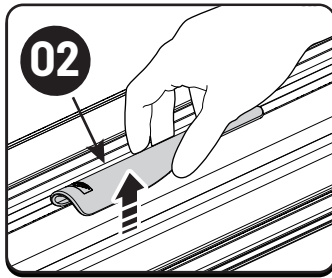


**!** ONLY FOR DOUBLE CAB

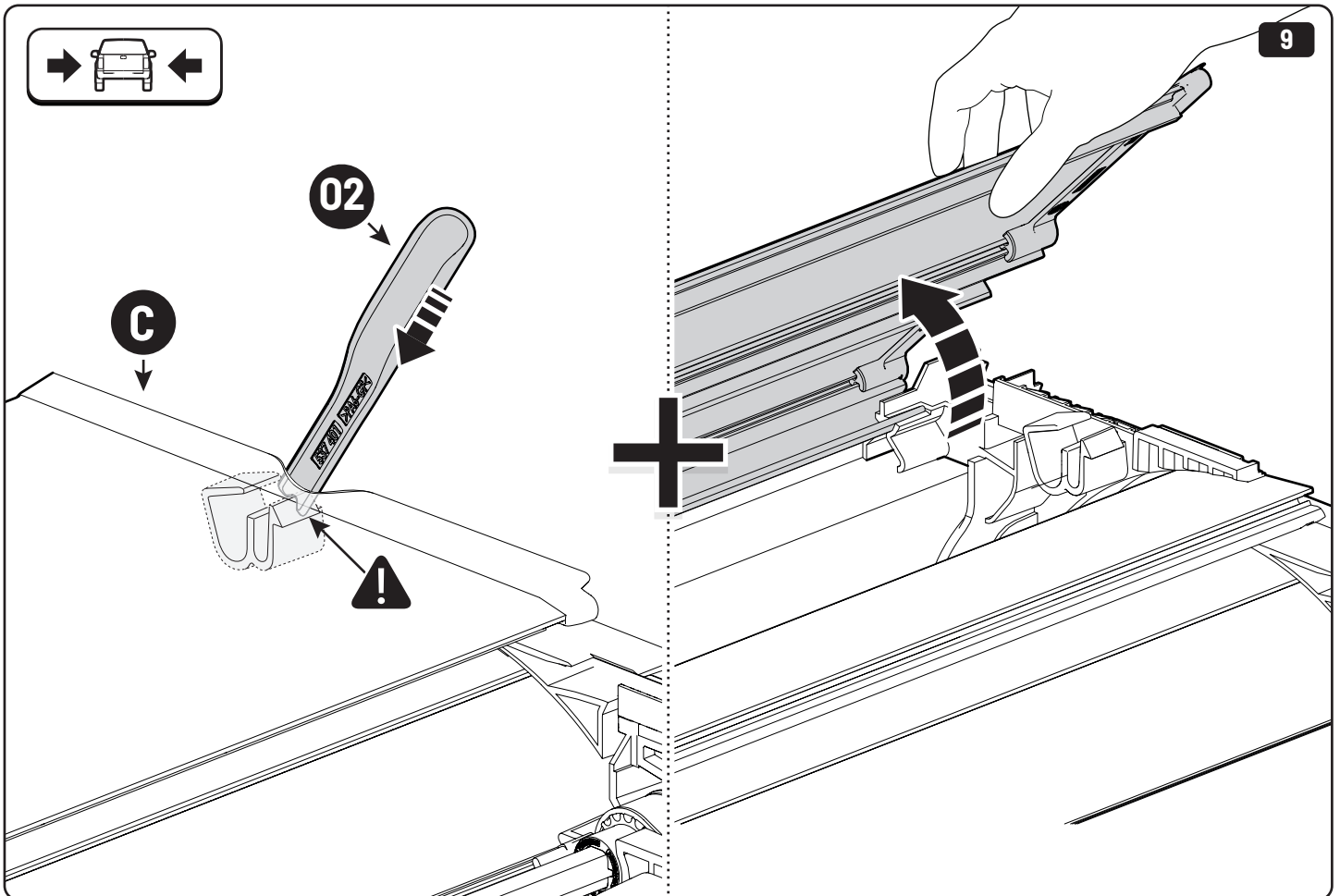
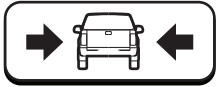




D



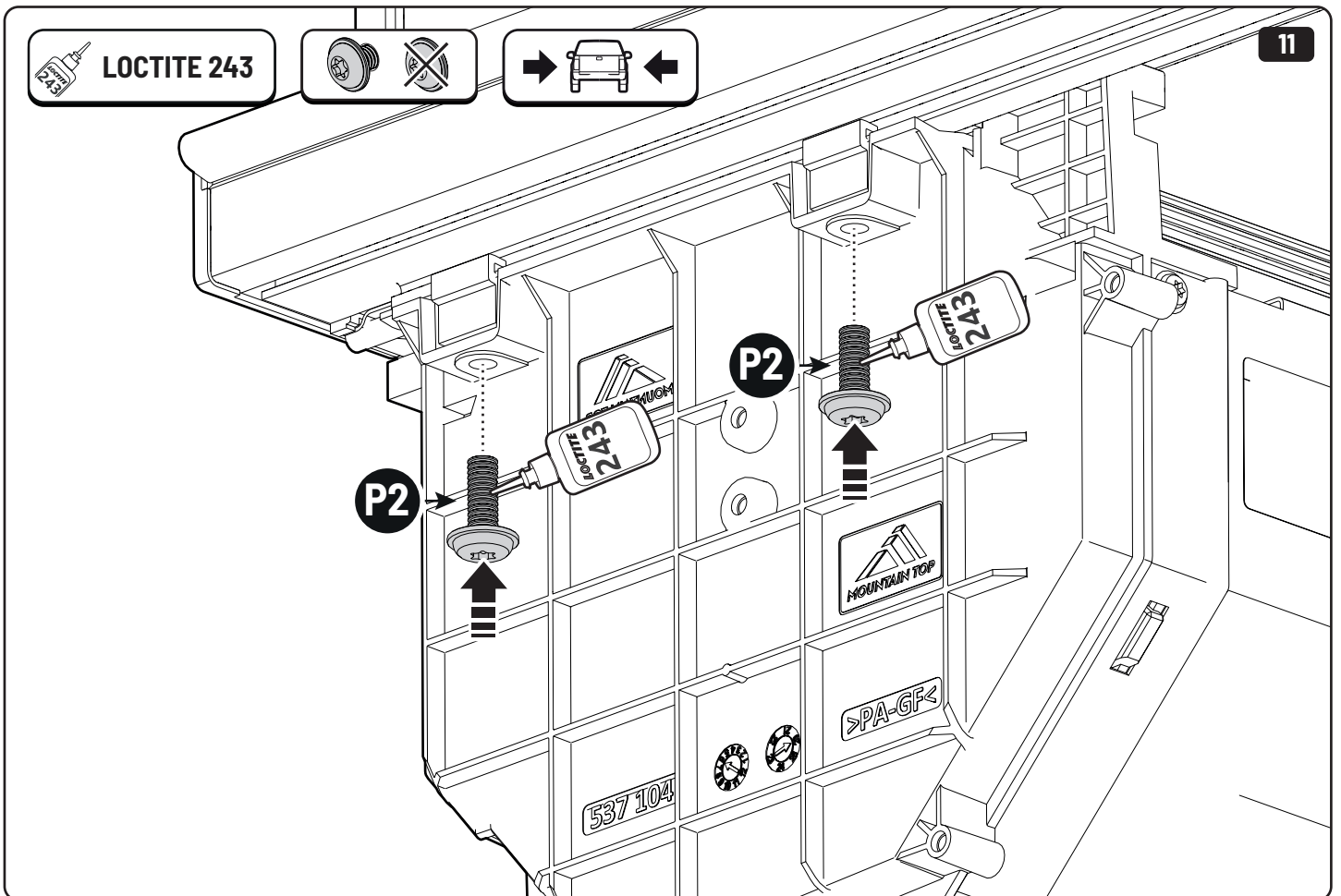
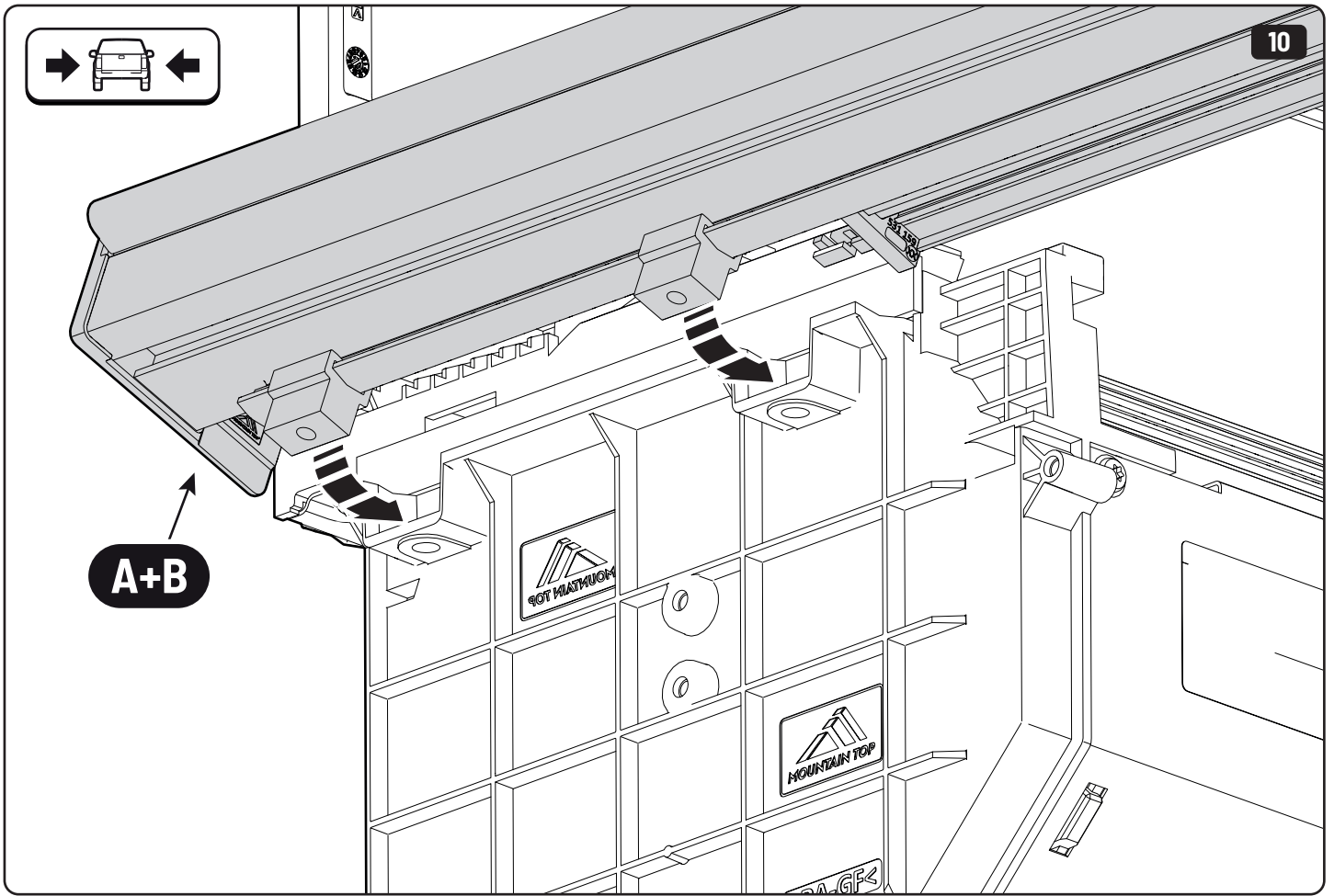
02

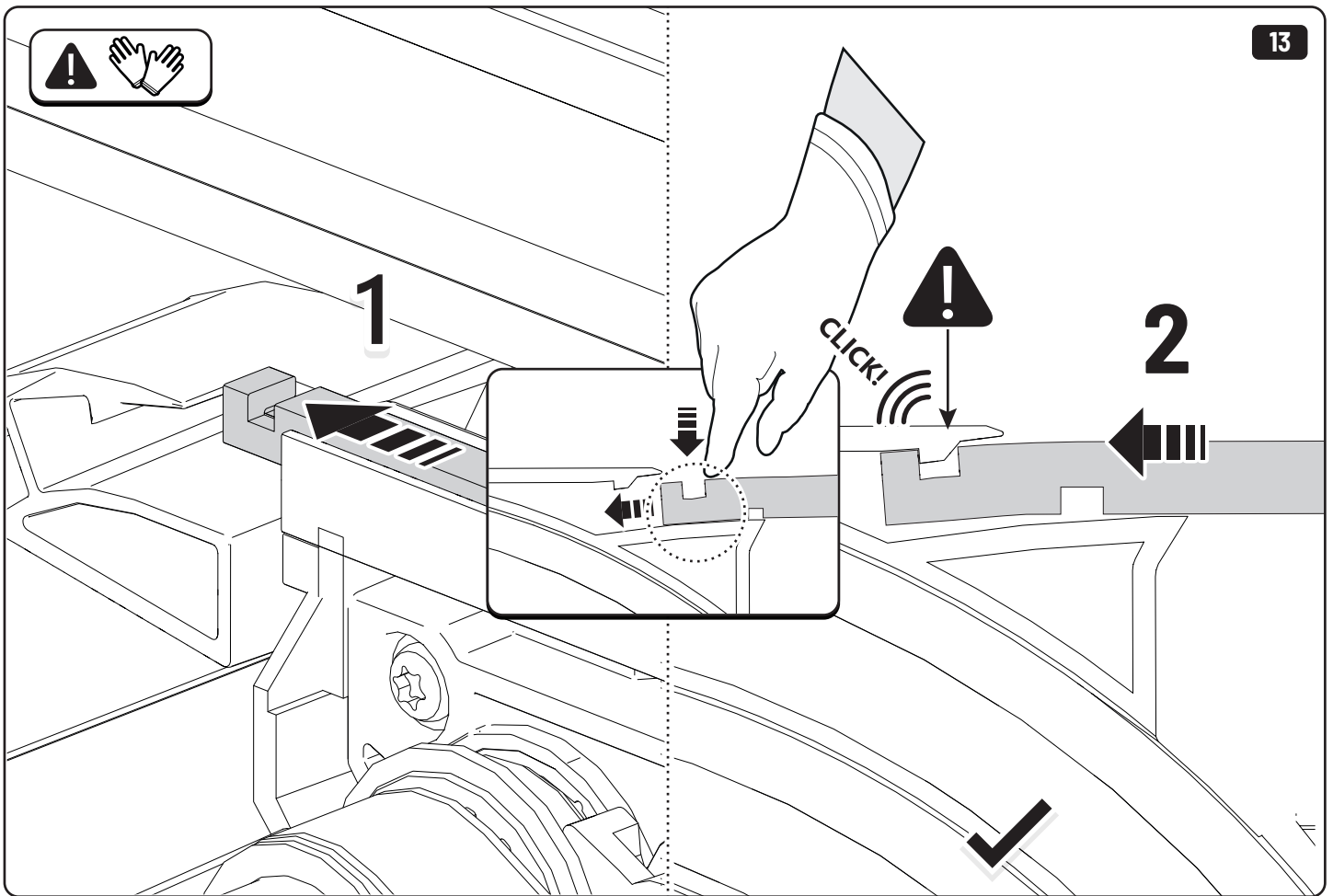
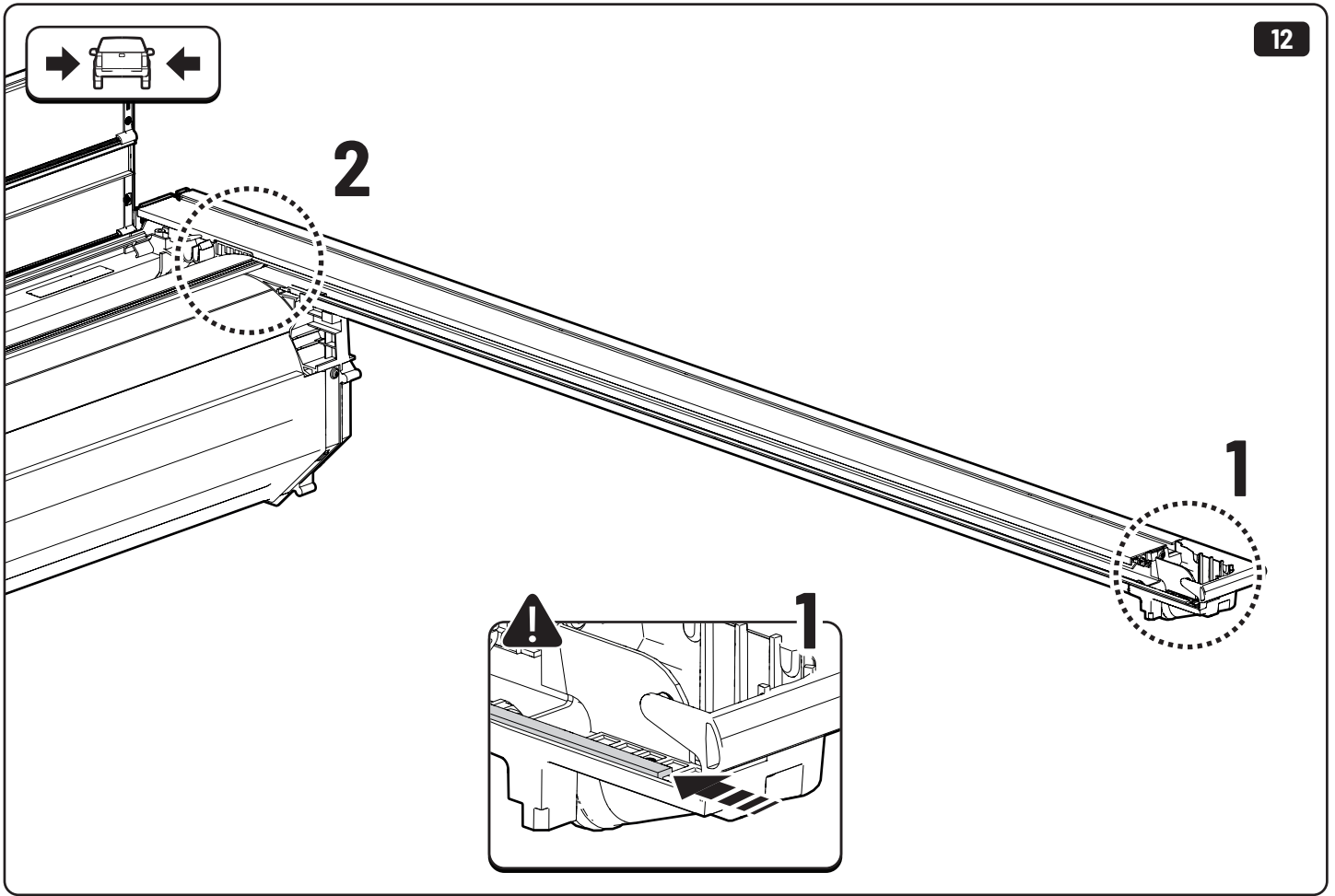


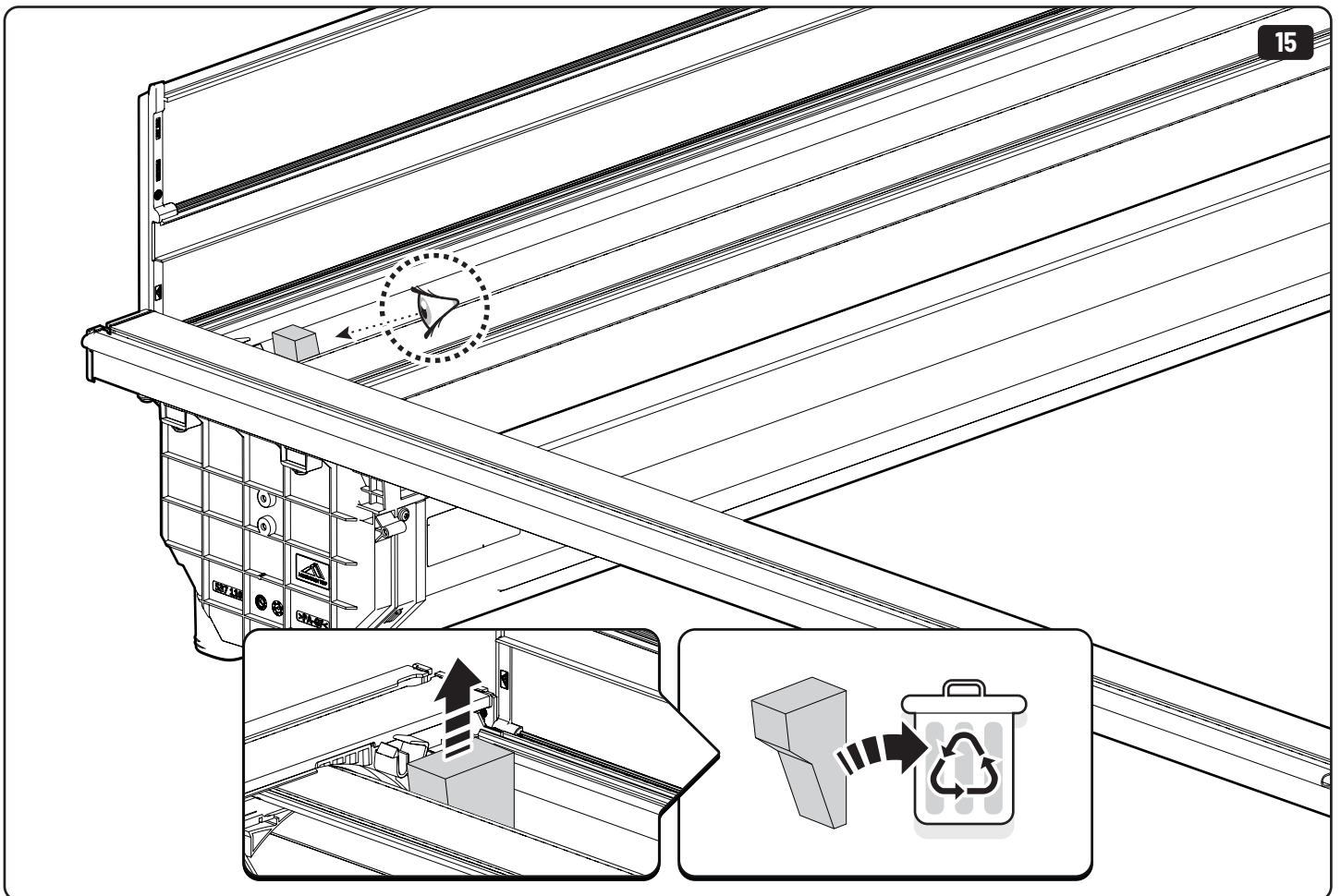
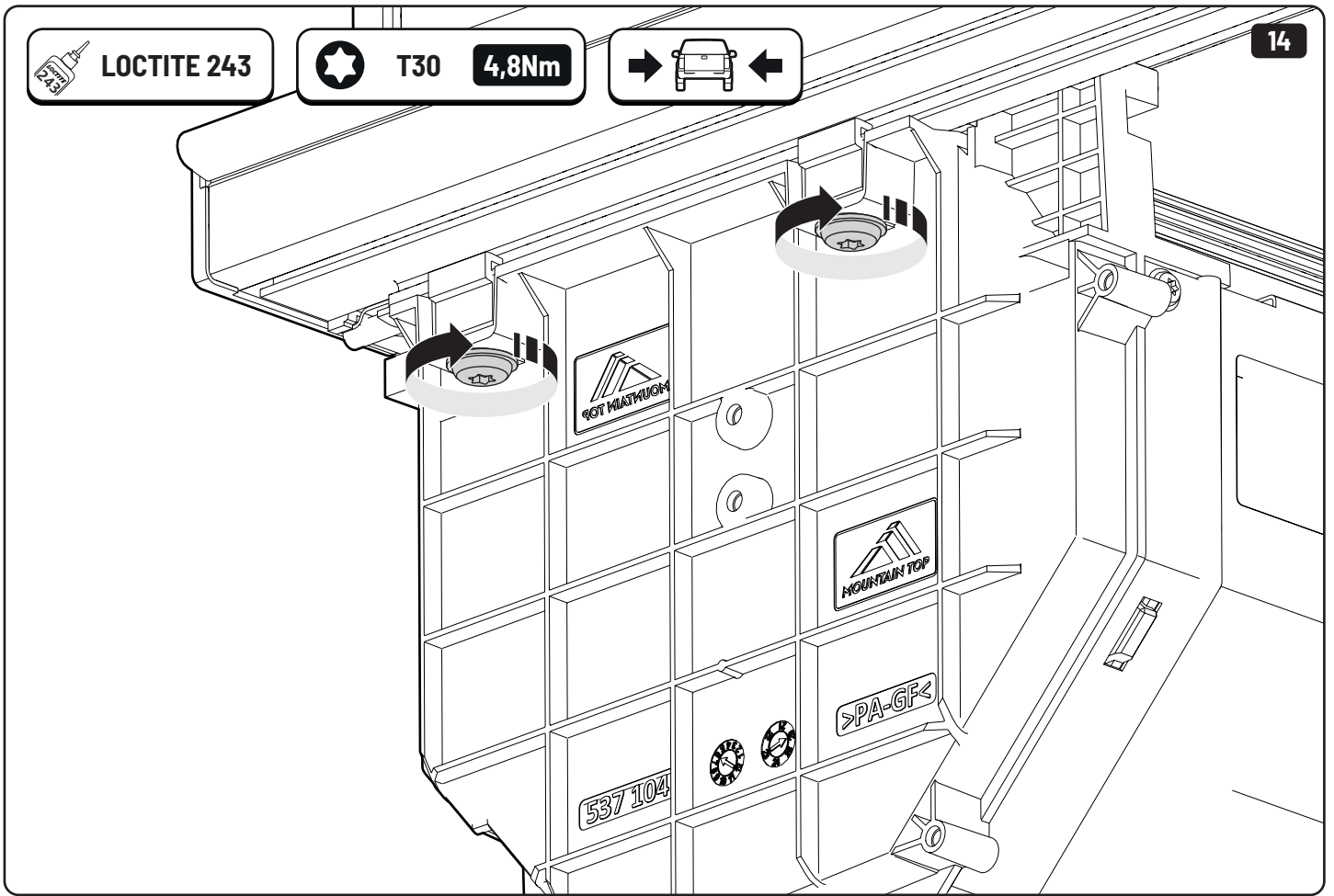
02

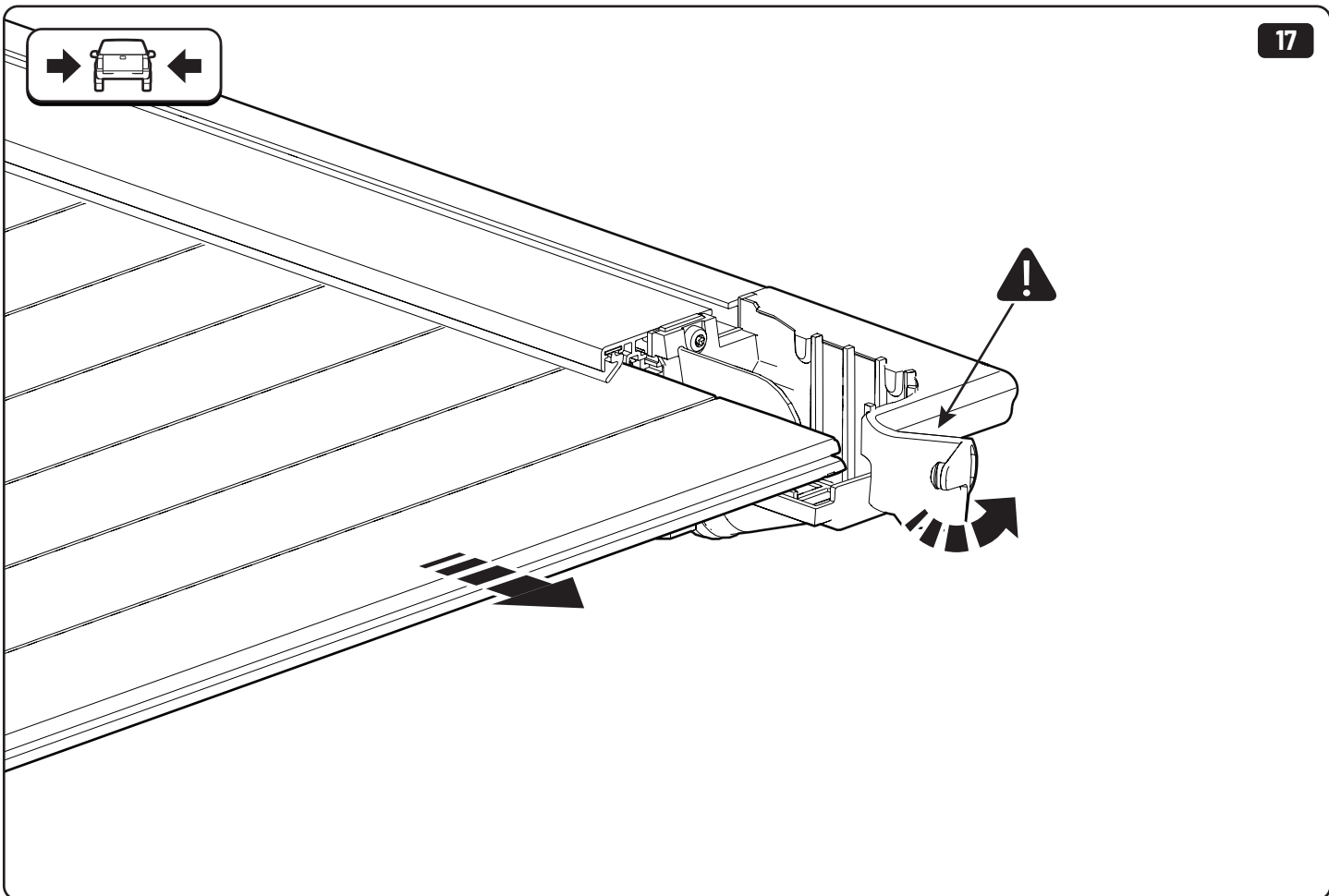
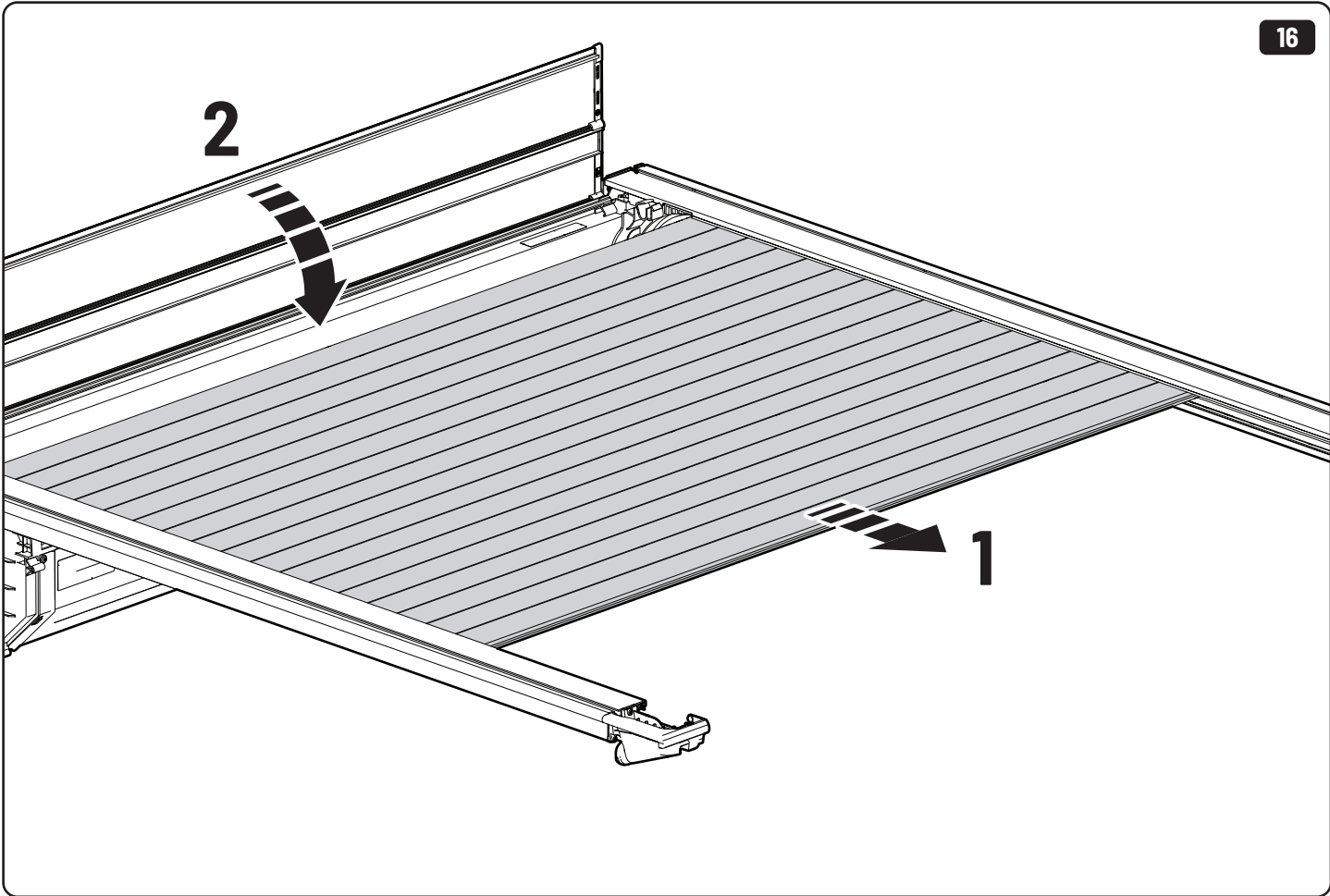
C

+

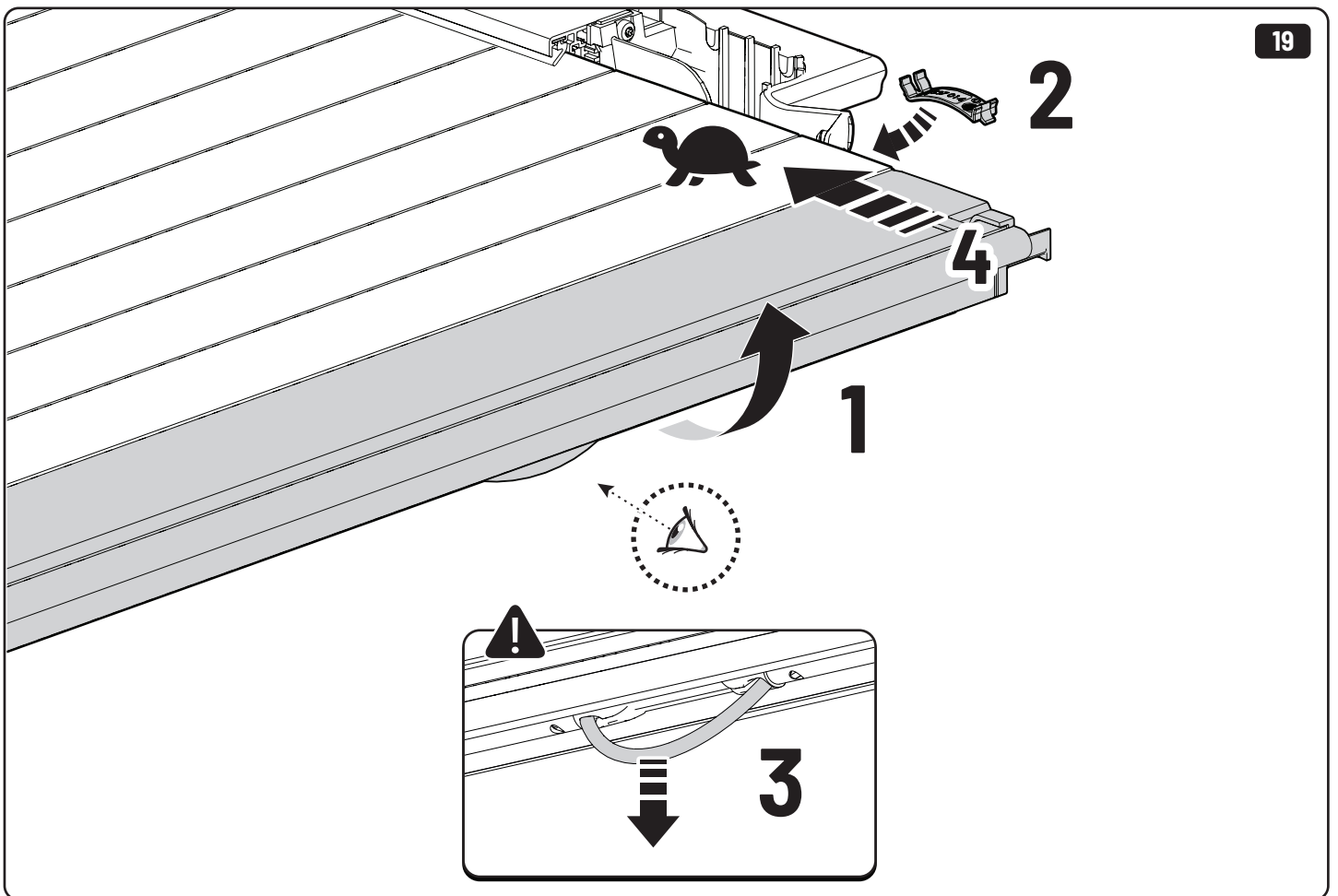
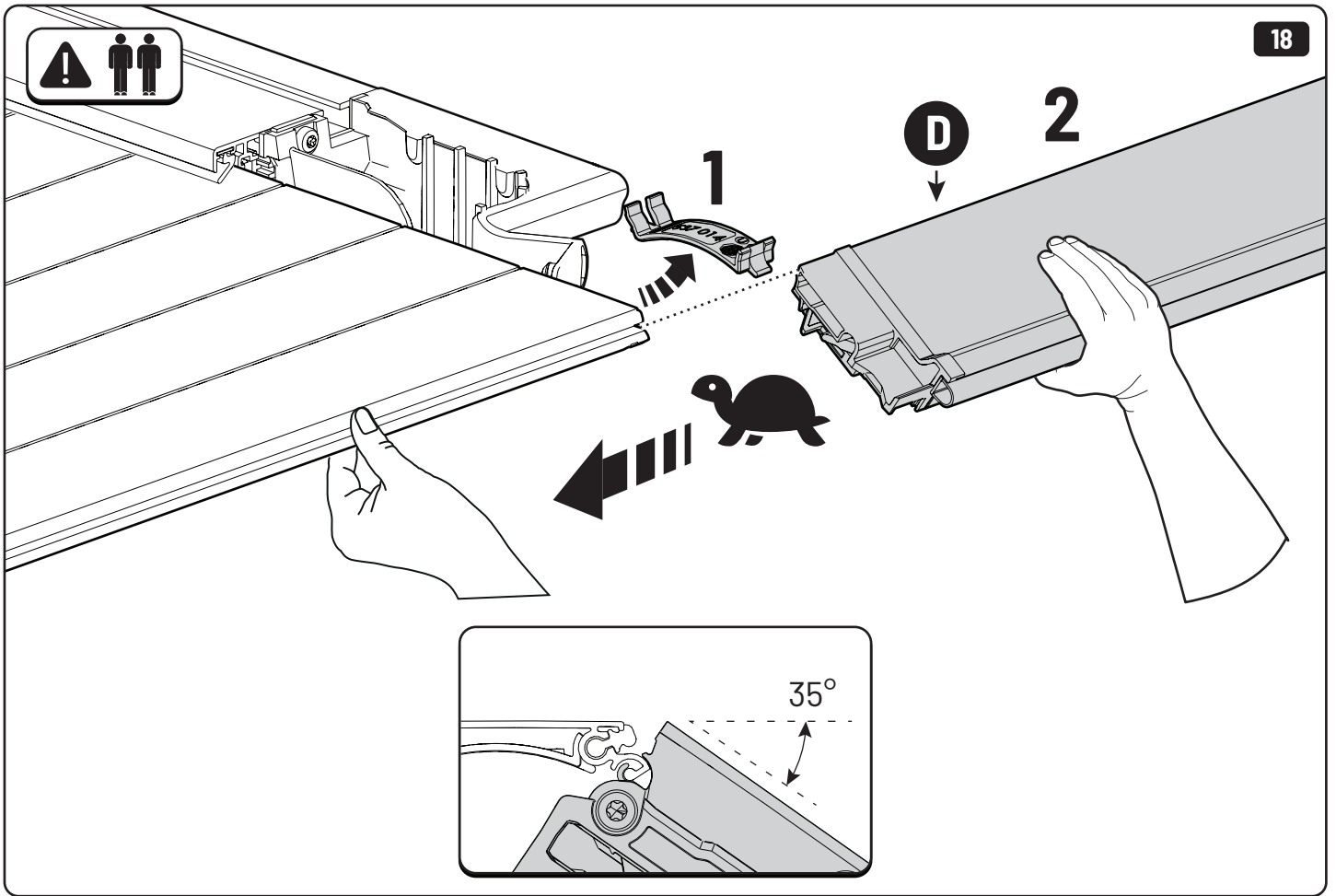


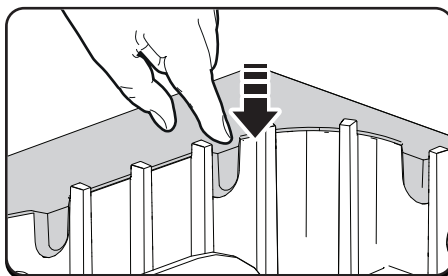
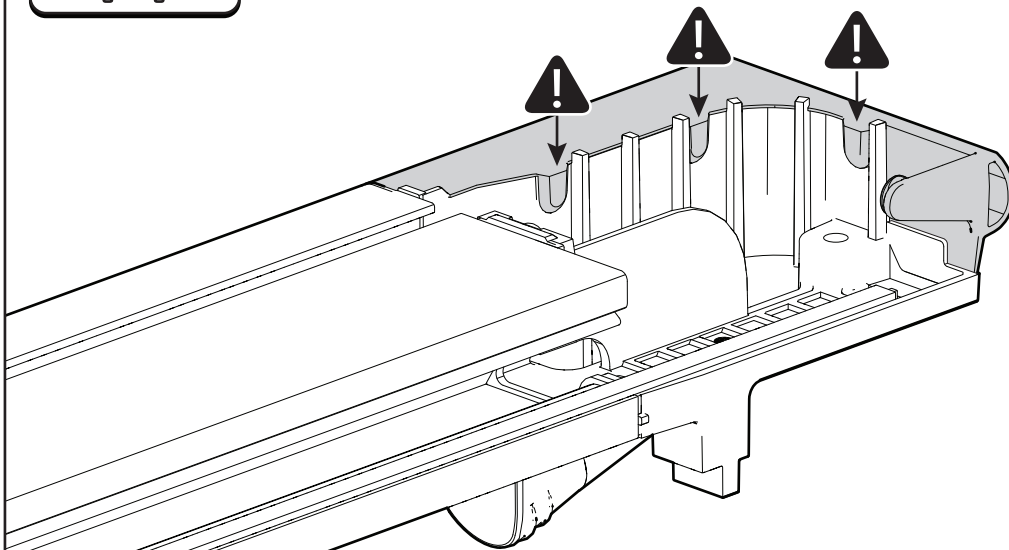
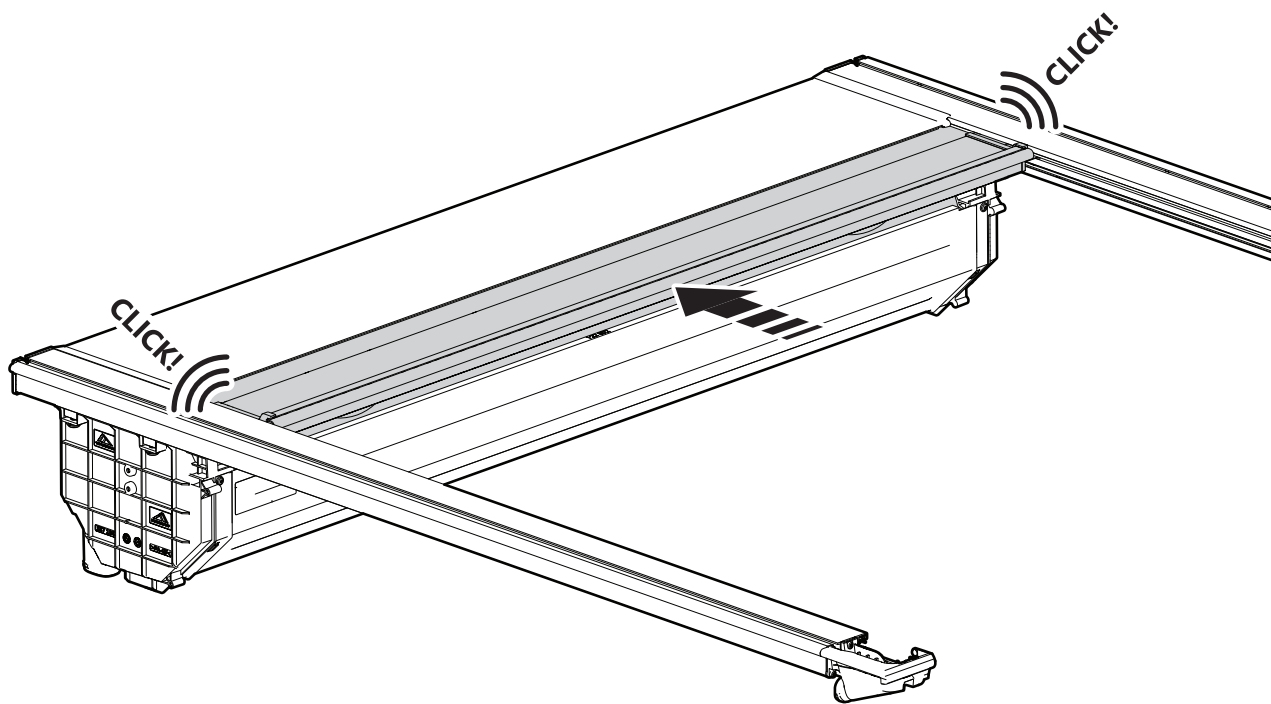




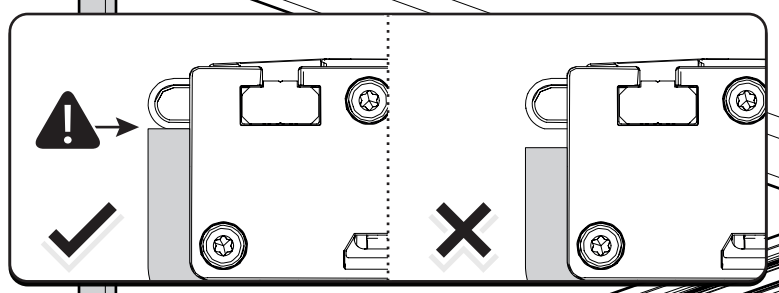
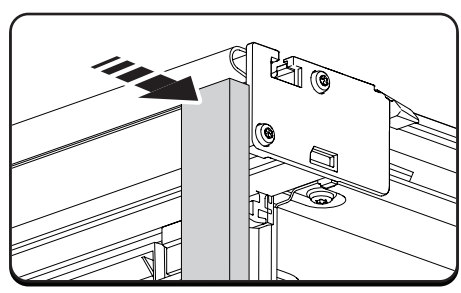
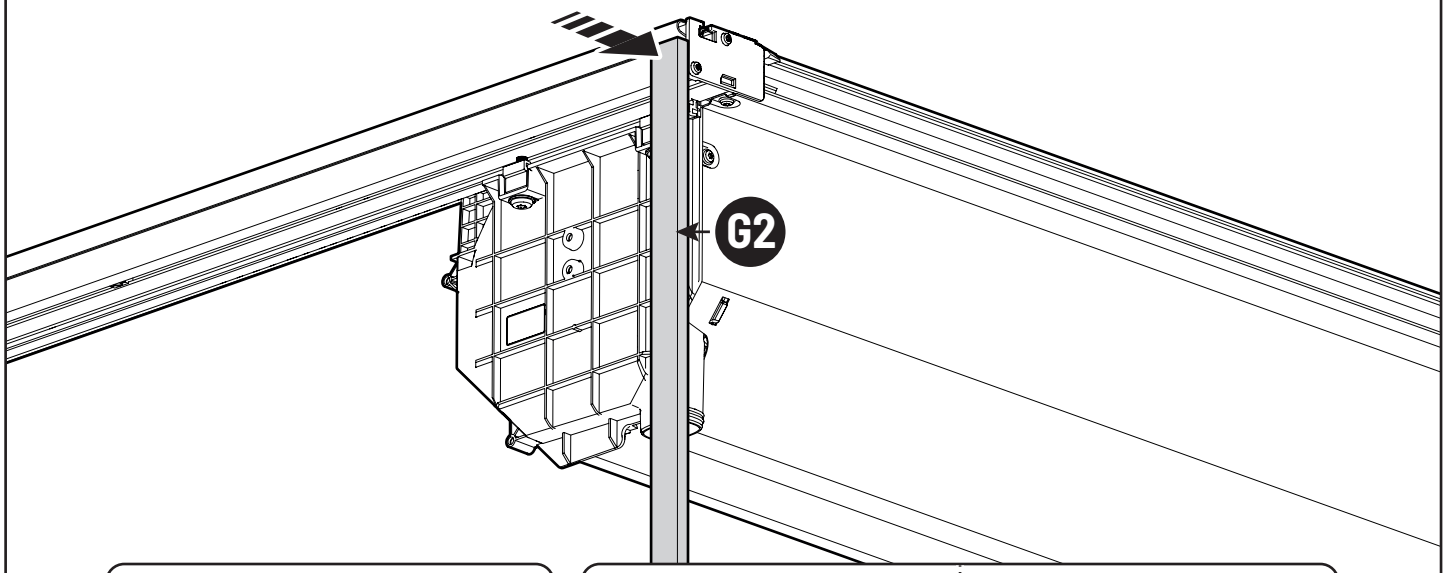
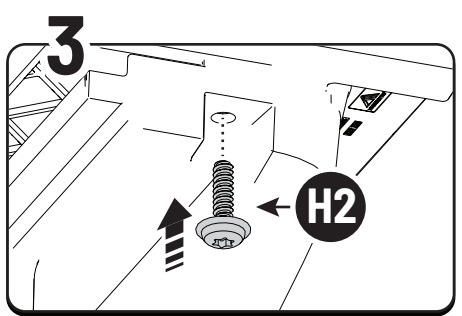
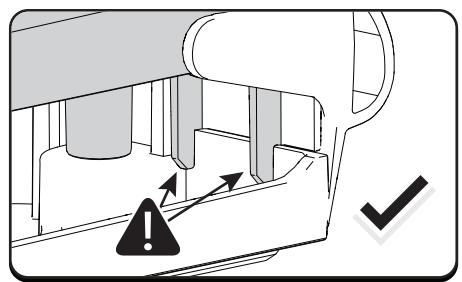
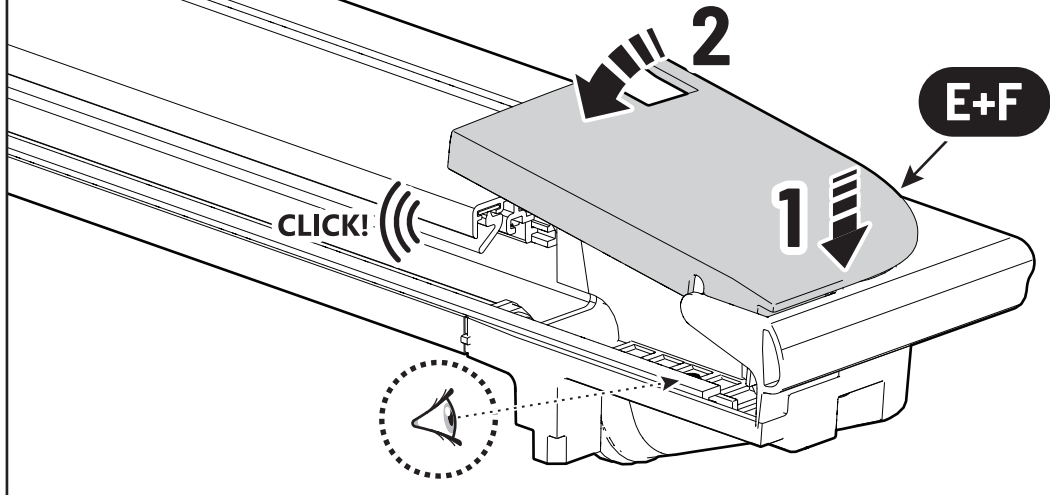


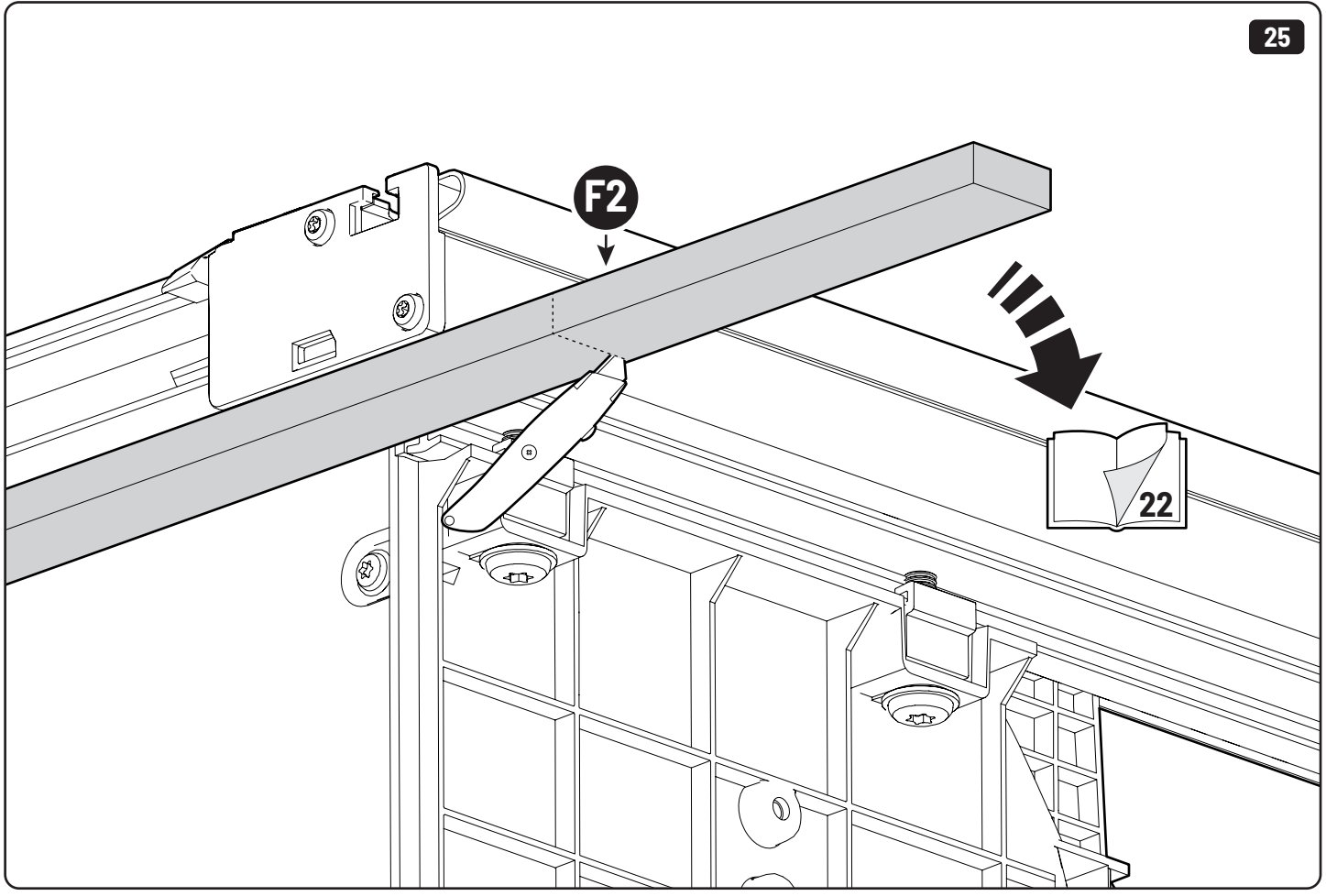
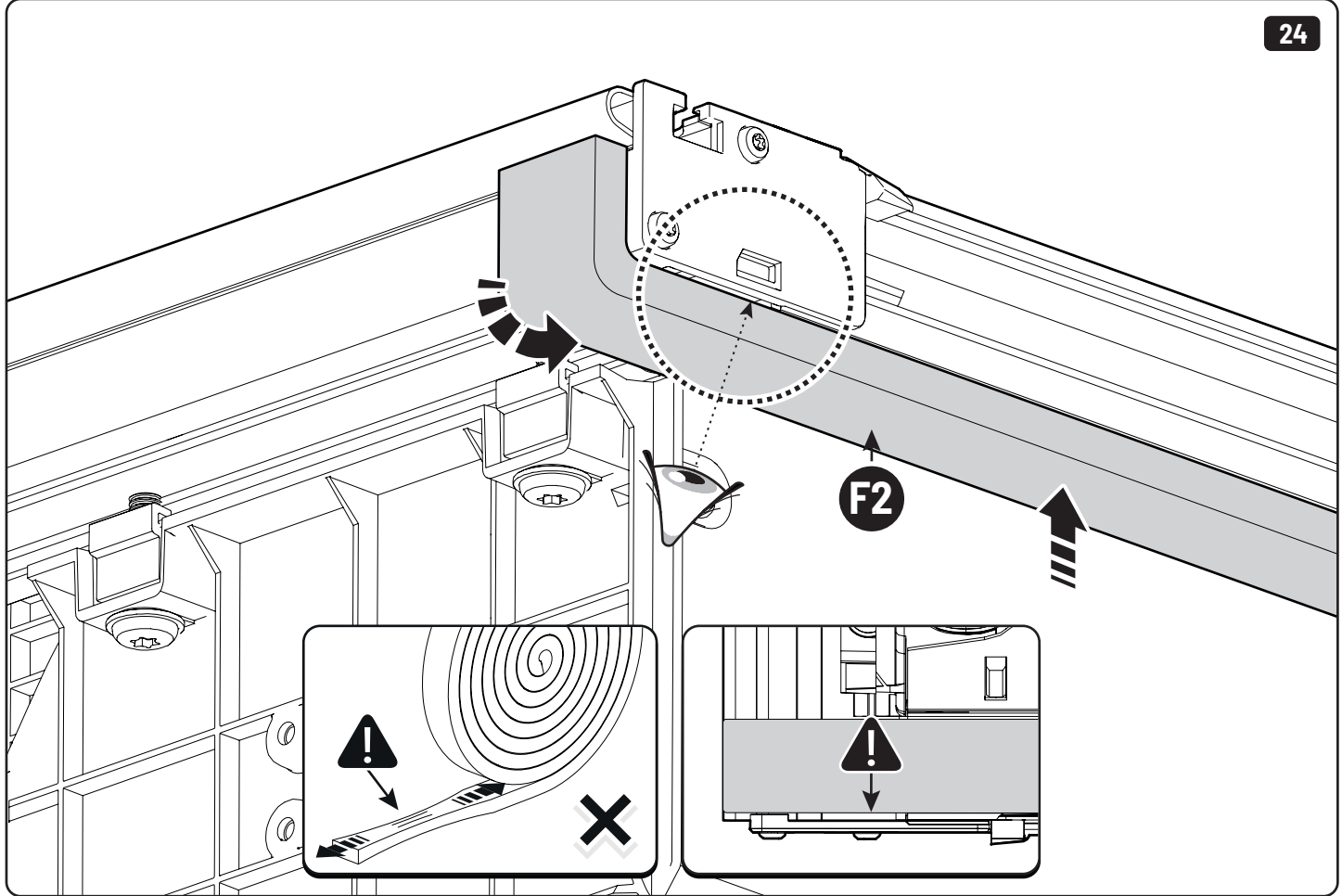


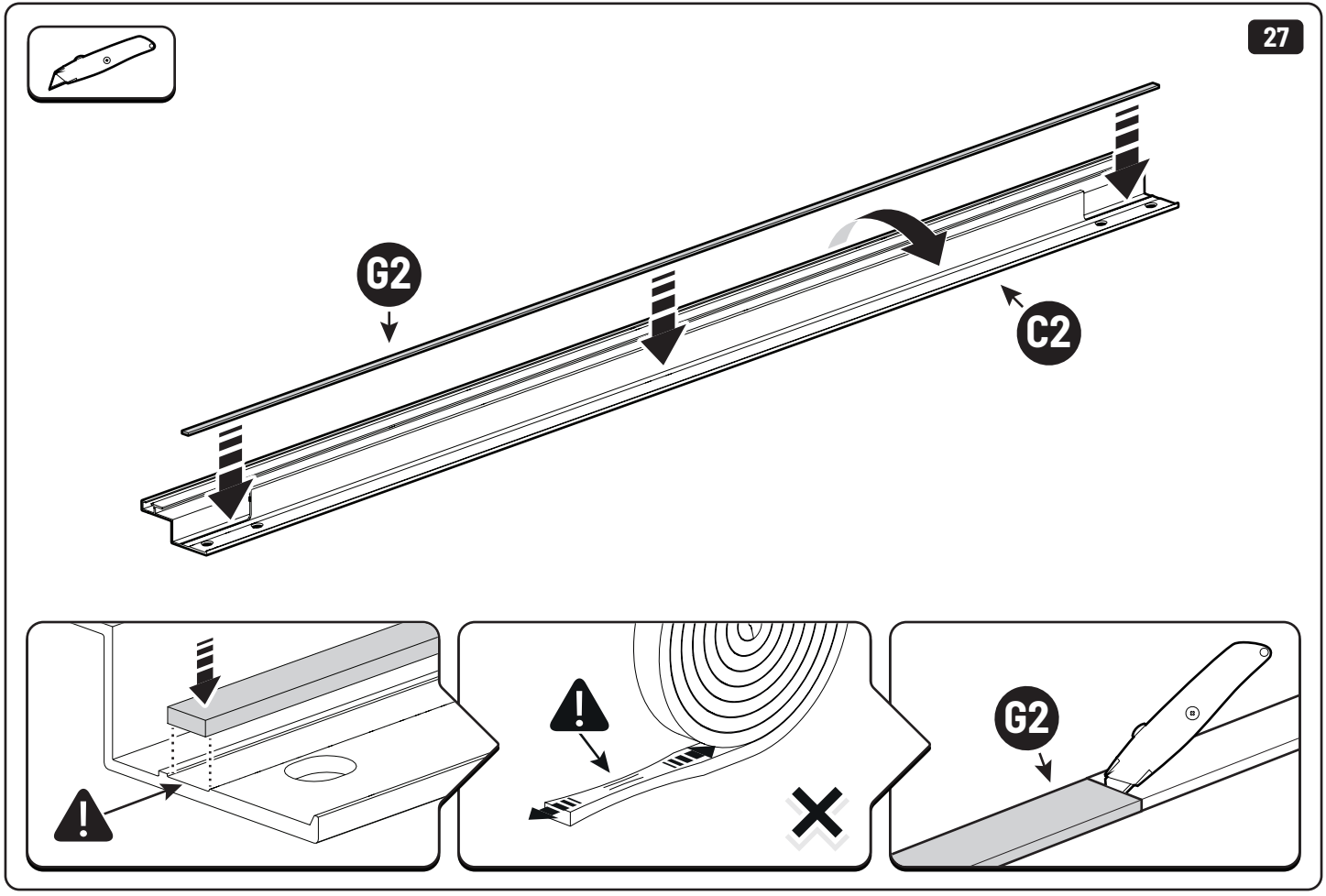
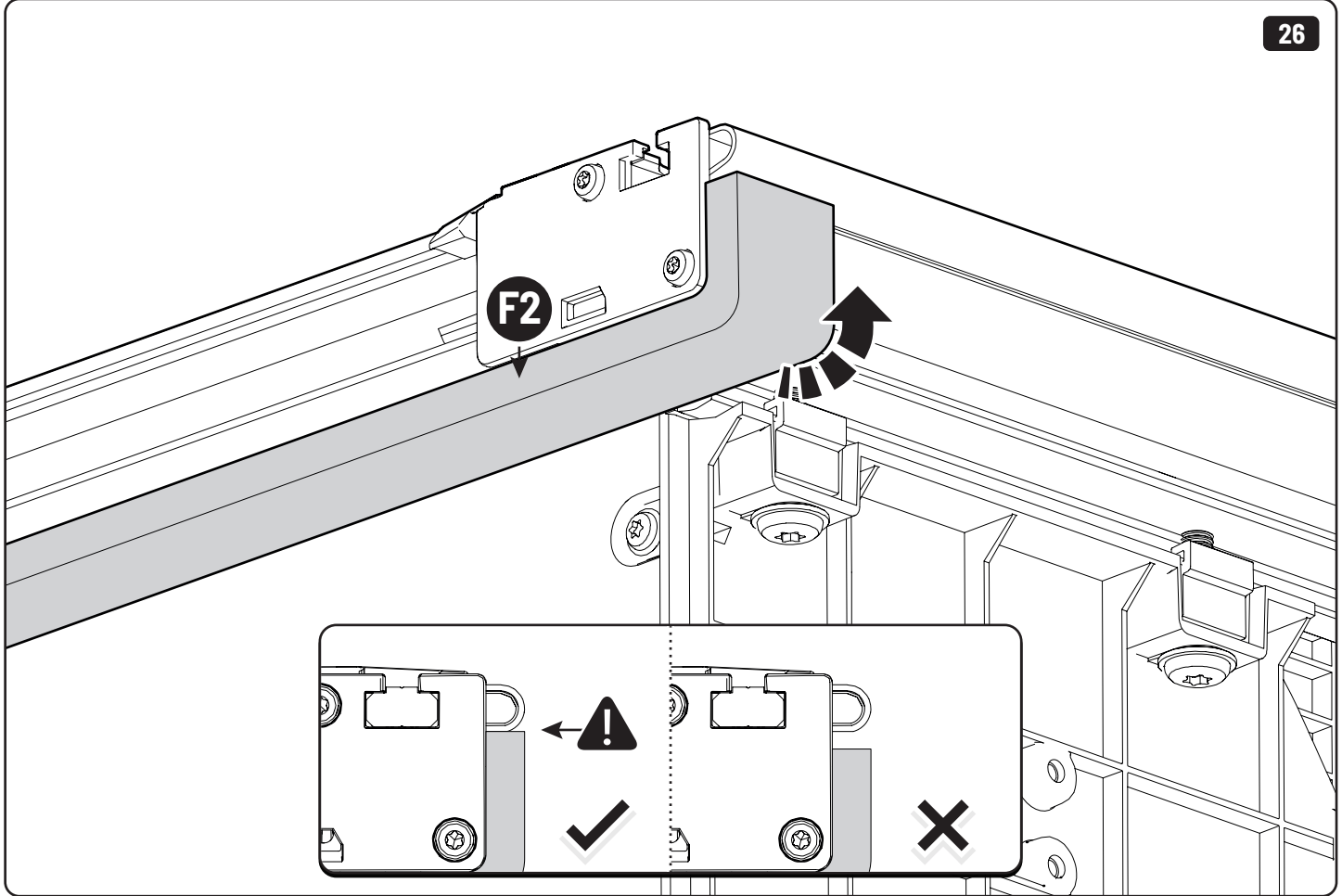




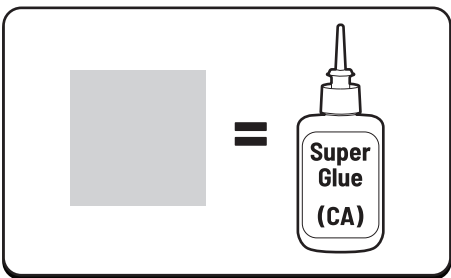
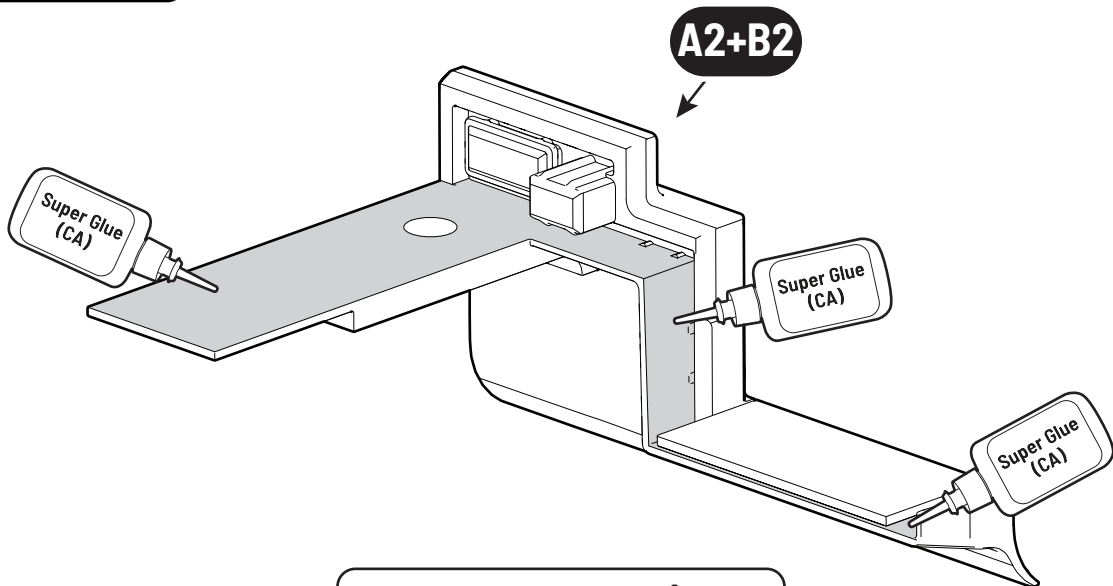
→ [Car Icon] ← T20 2,4Nm



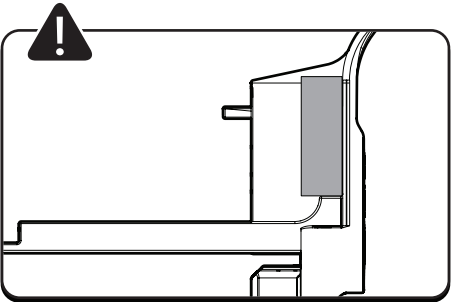
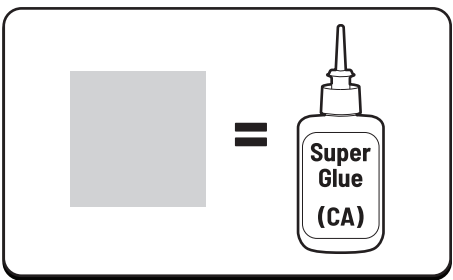
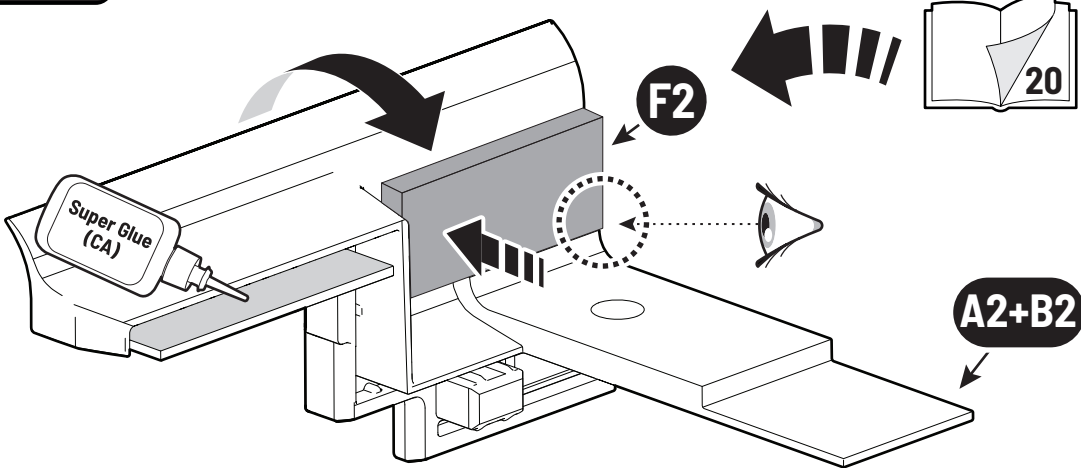


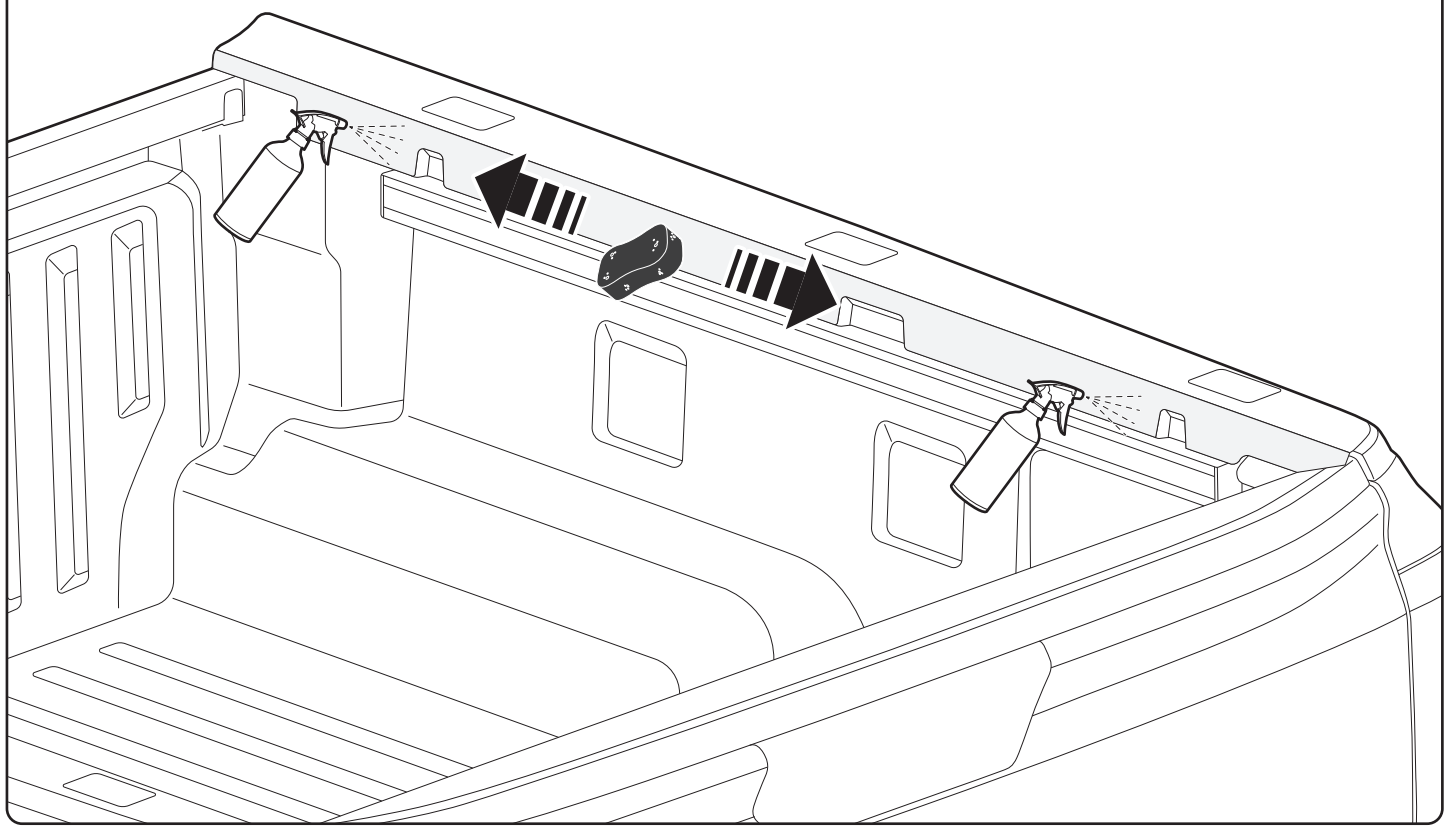
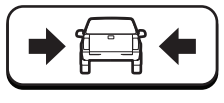
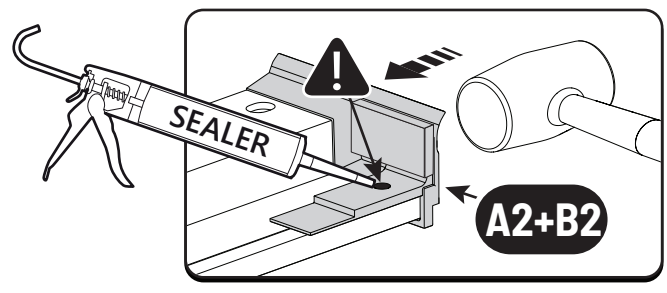
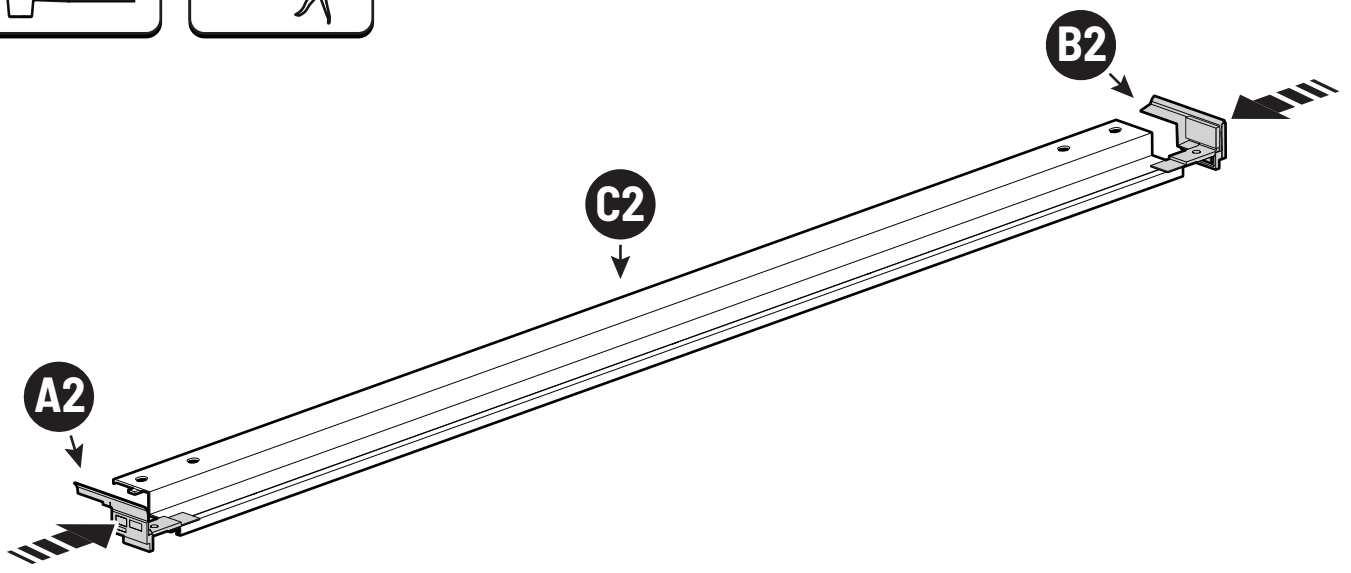
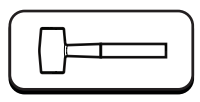


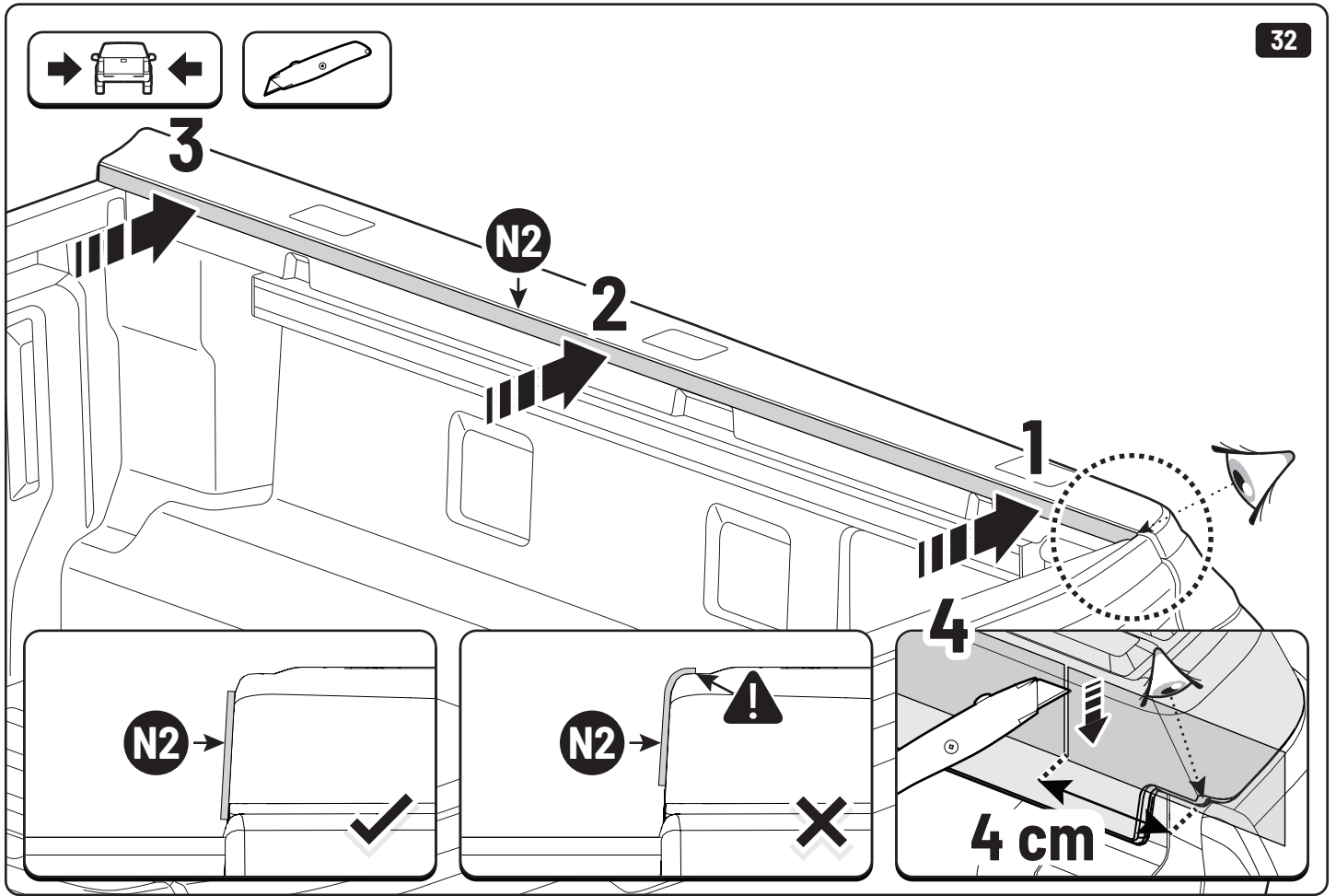
 **Super Glue (CA)**



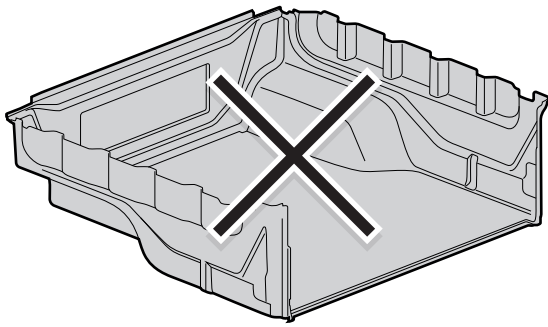
 **Super Glue (CA)**



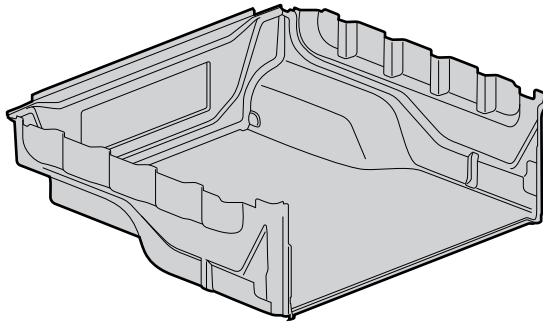
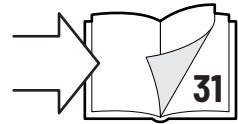






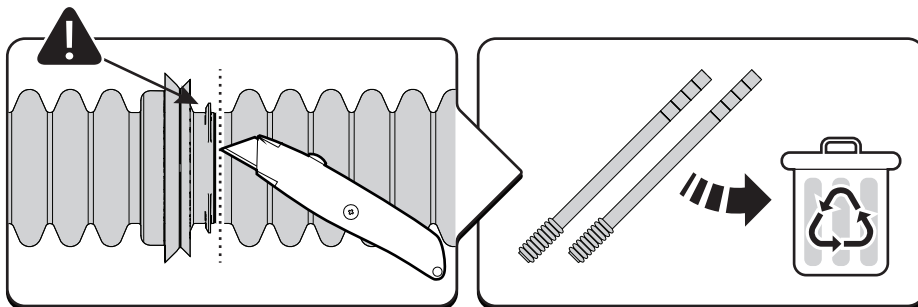
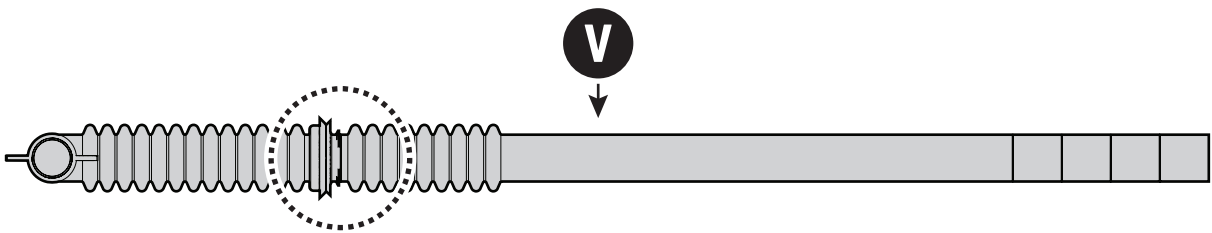


**+** **SPRAY-IN  
BEDLINER**

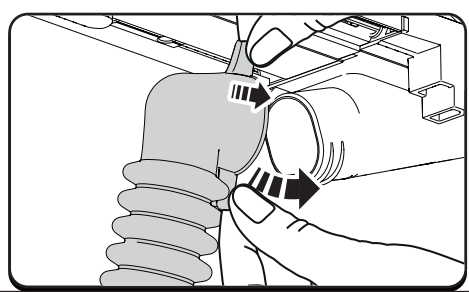
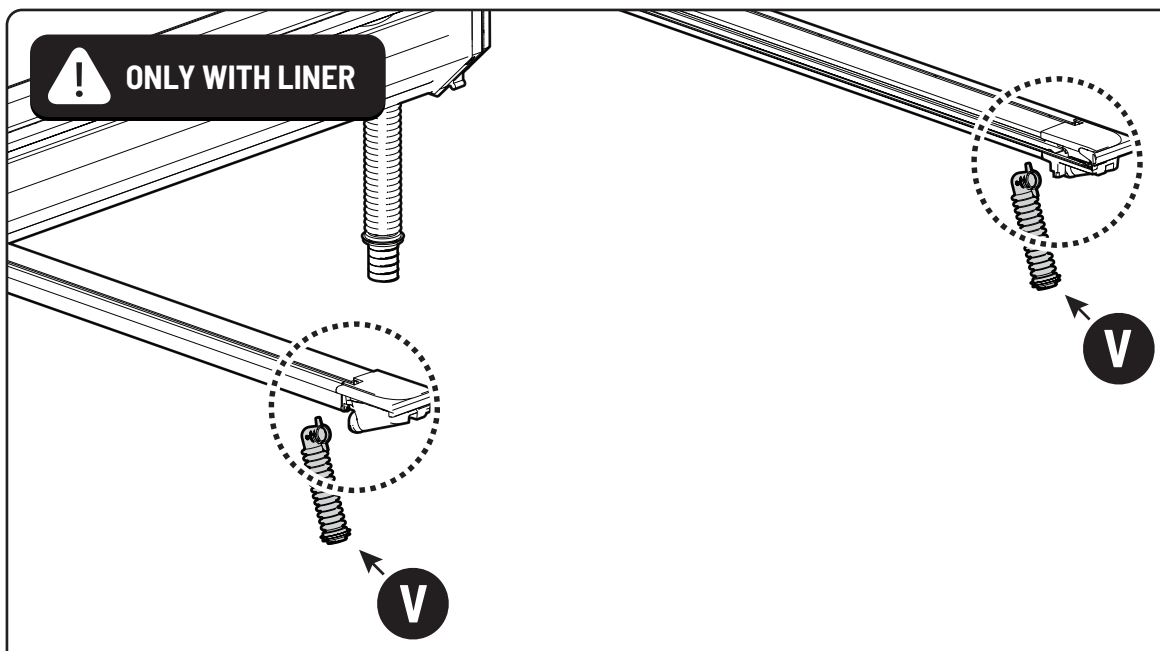


**!** **ONLY WITH LINER**

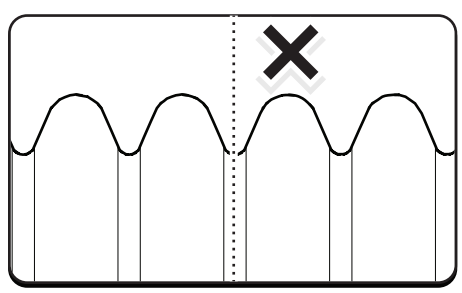
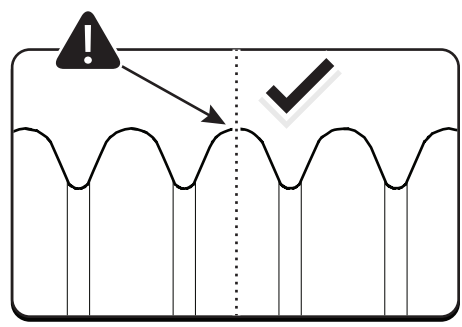
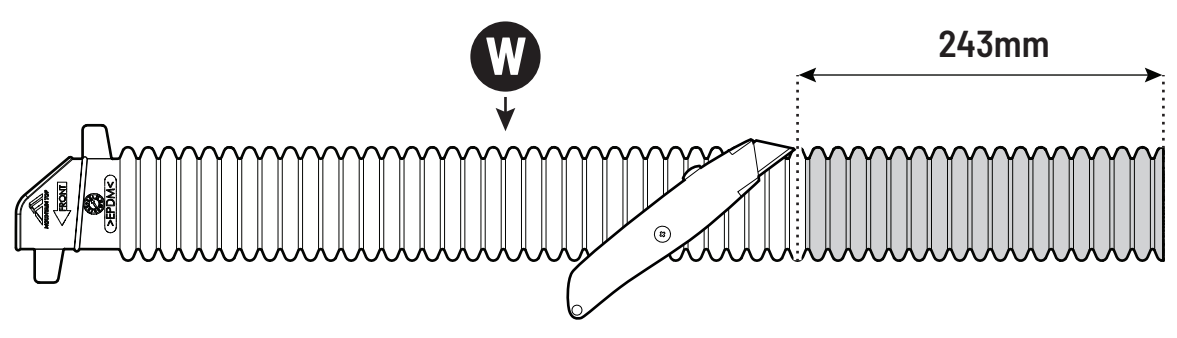
**33**



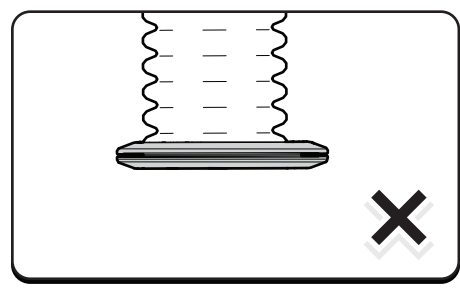
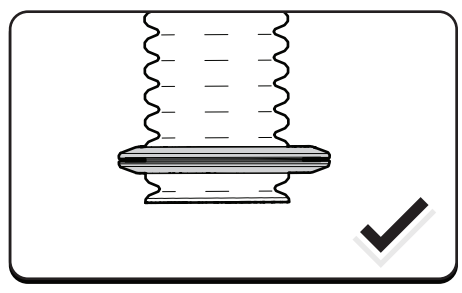
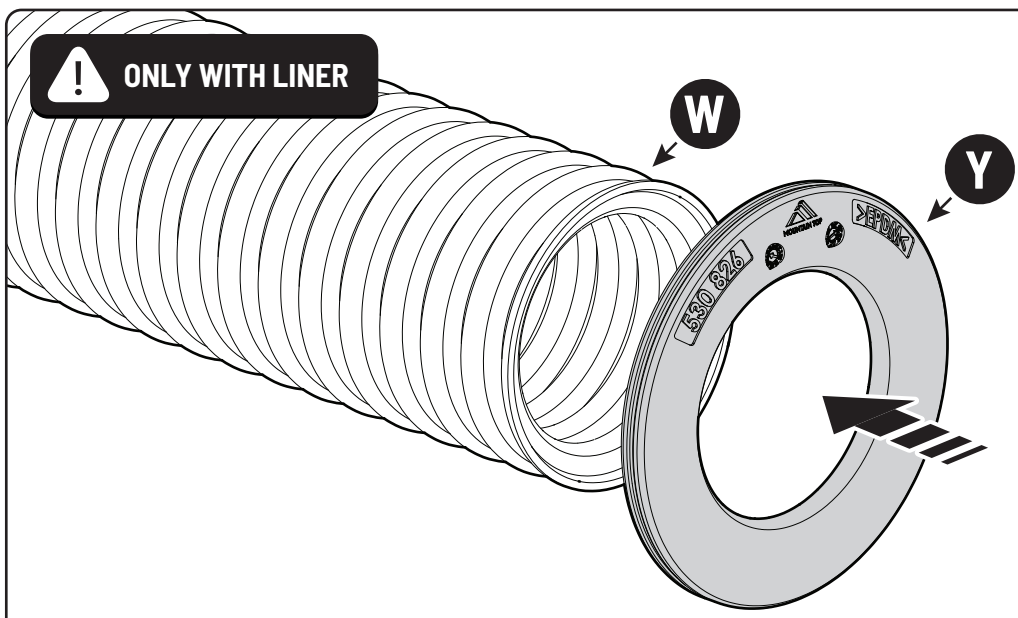
**!** ONLY WITH LINER



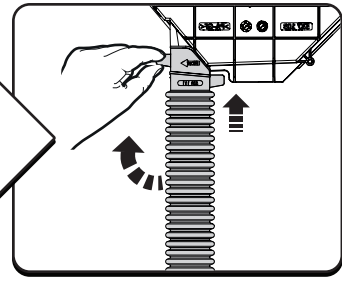
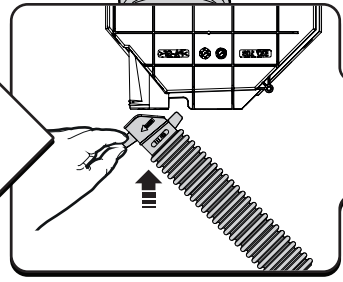
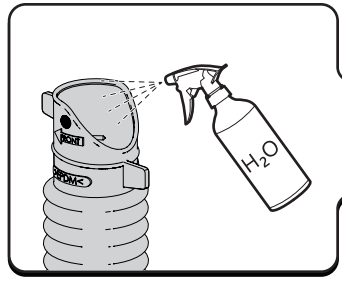
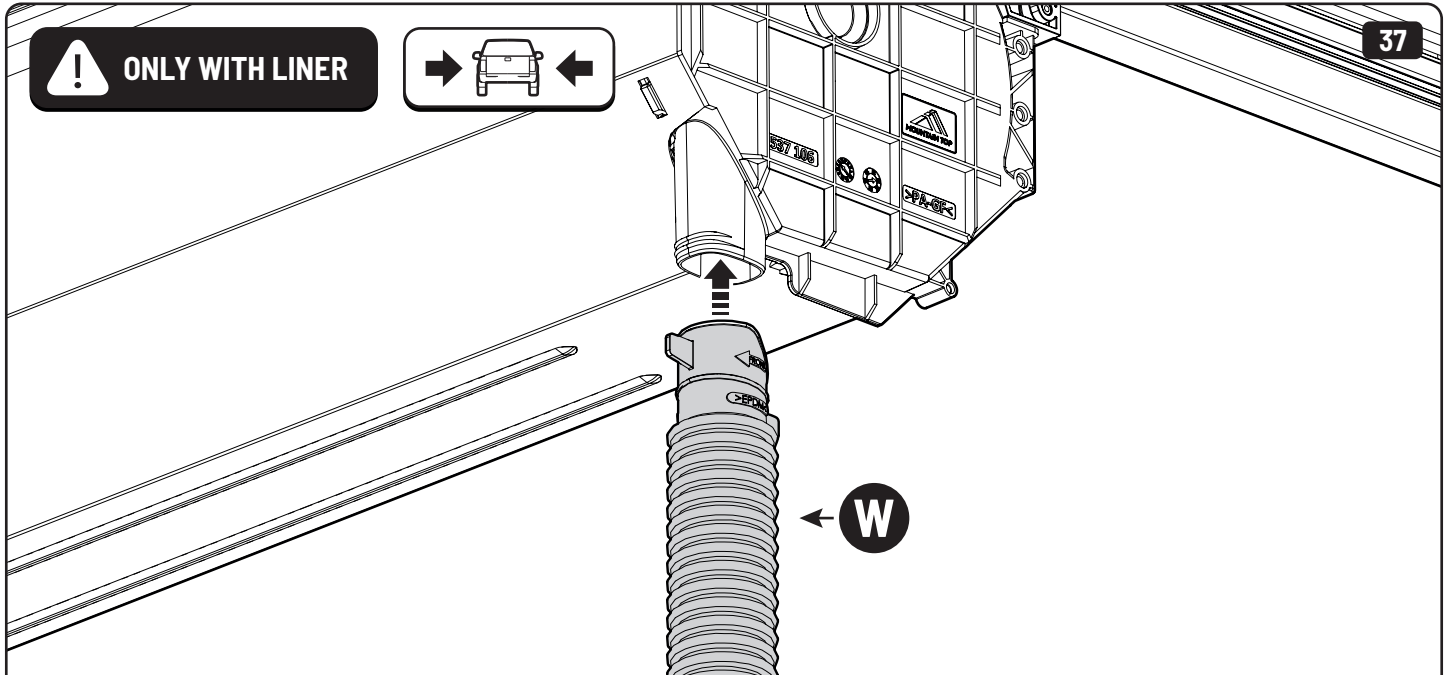
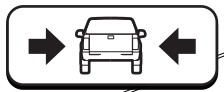
**!** ONLY WITH LINER



**! ONLY WITH LINER**



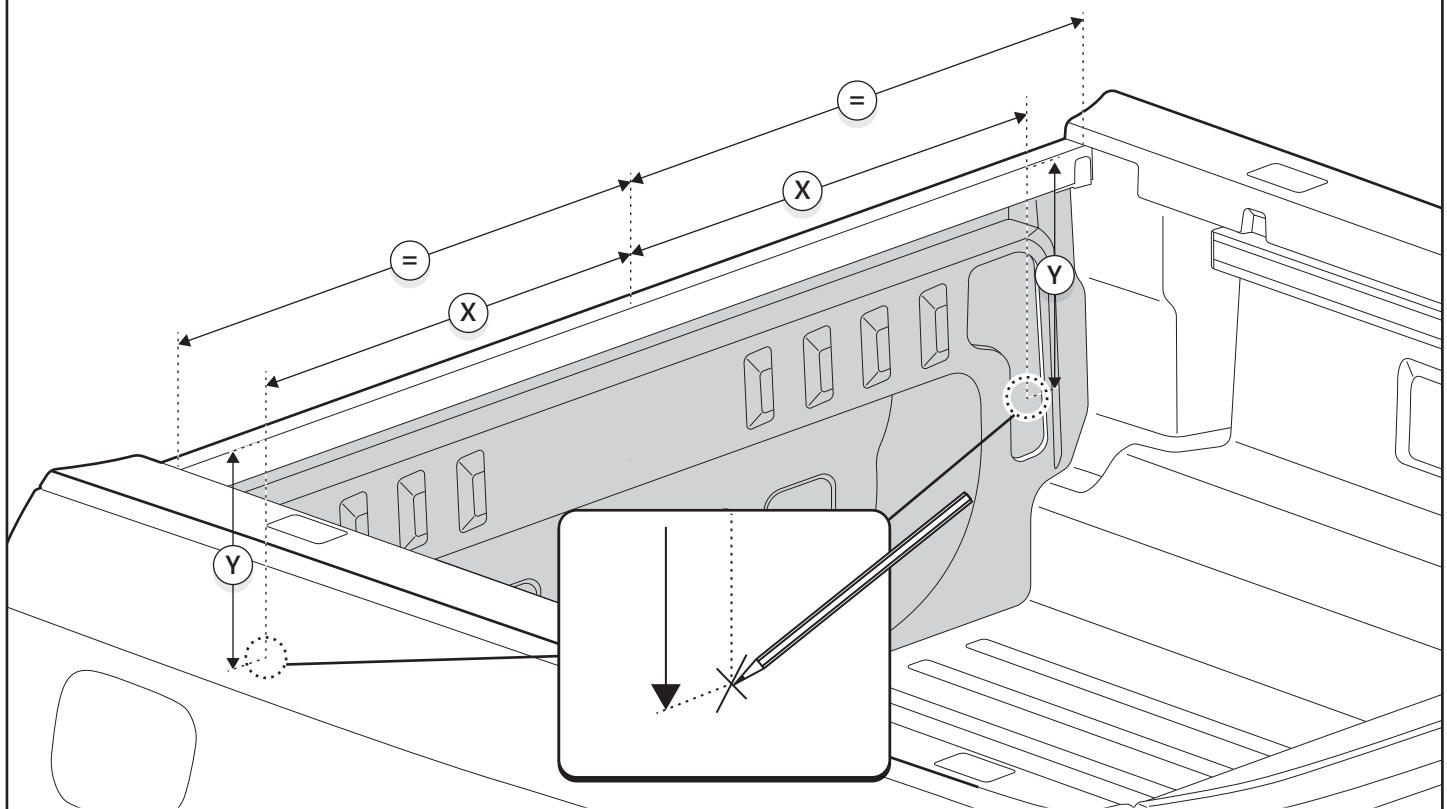
**! ONLY WITH LINER**



**!** ONLY WITH LINER

**!** EUROPEAN MODEL

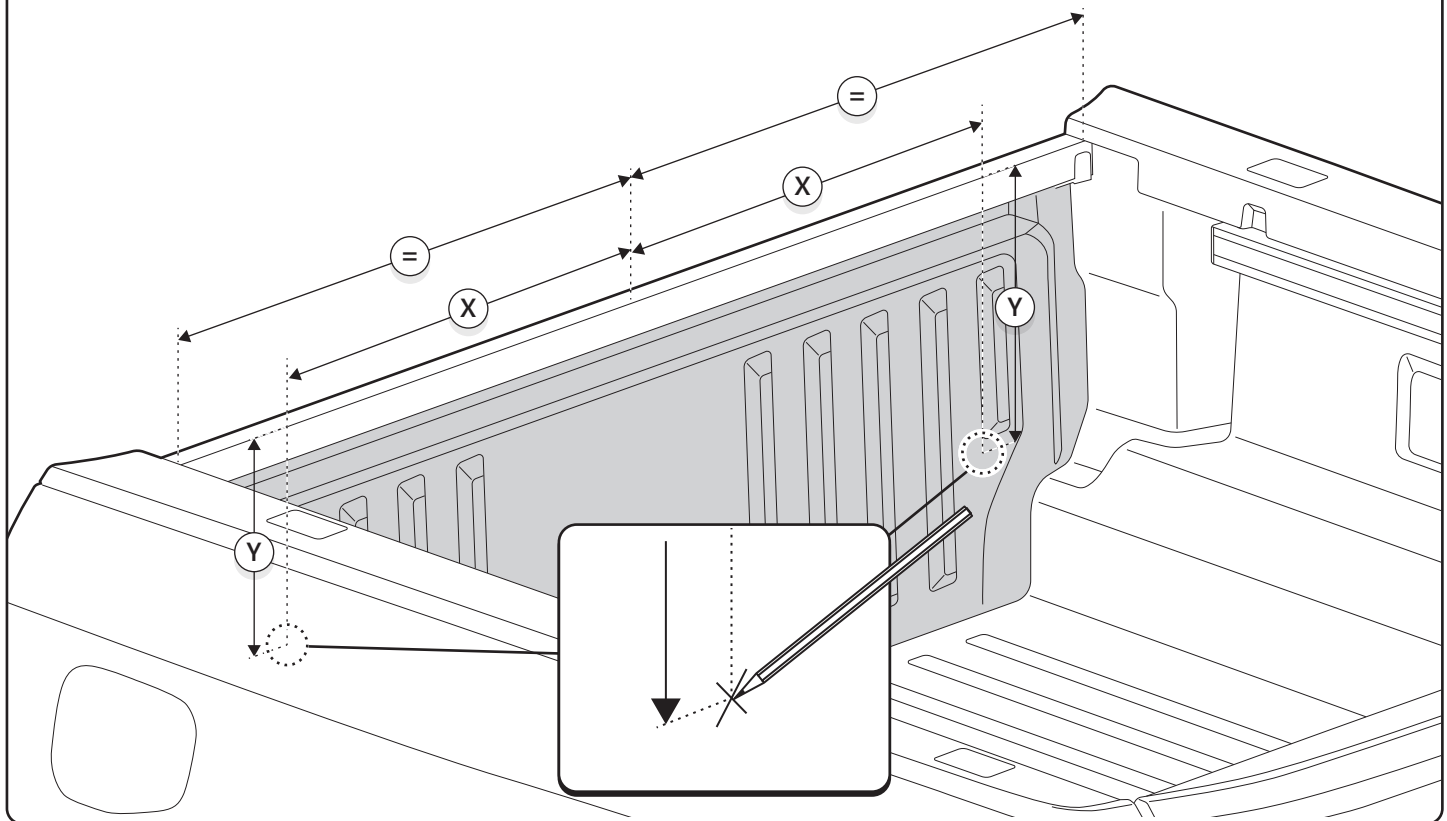
X: 650 mm Y: 290 mm



**!** ONLY WITH LINER

**!** OTHER MODELS

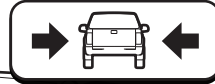
X: 540 mm Y: 330 mm



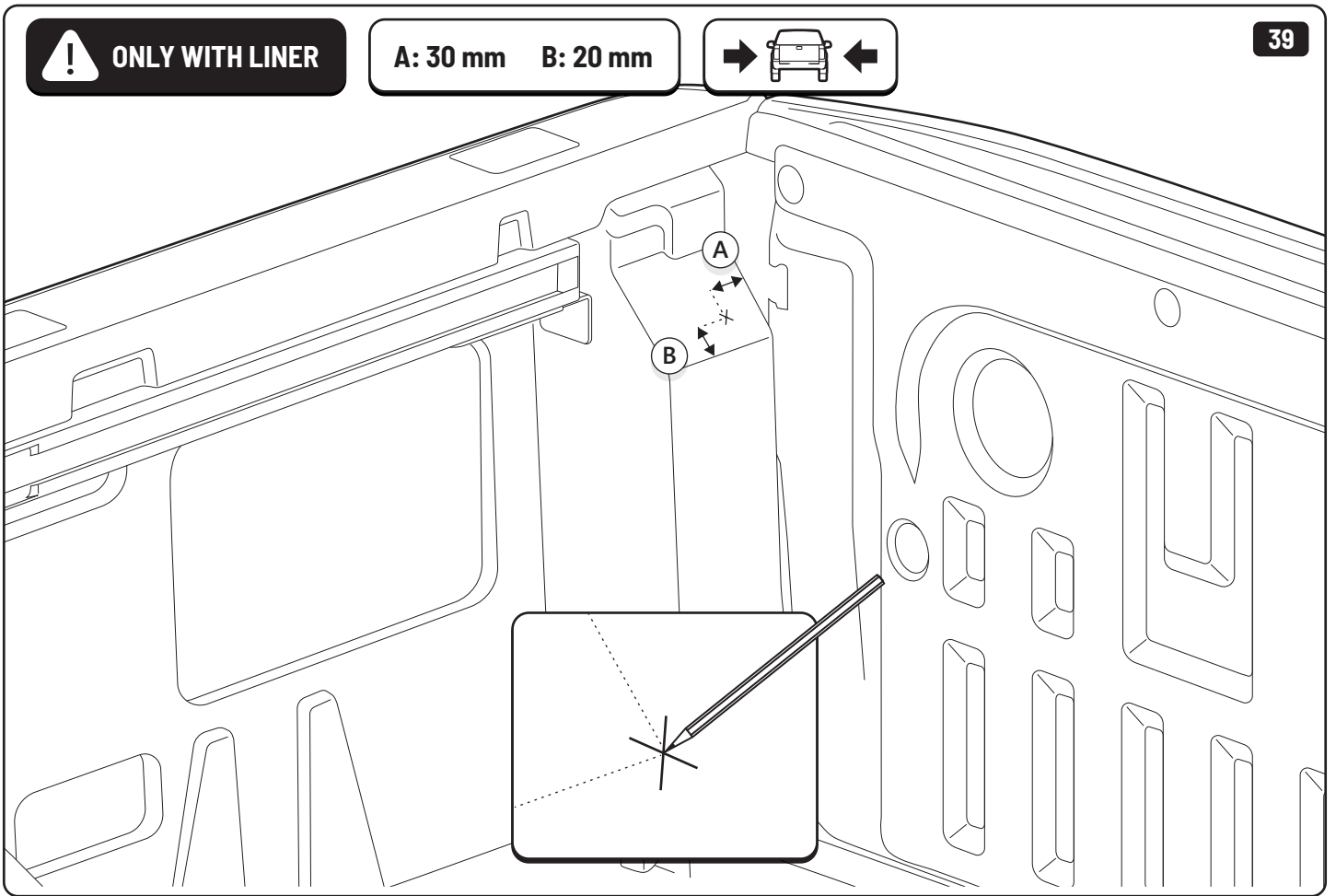


**ONLY WITH LINER**

**A: 30 mm B: 20 mm**



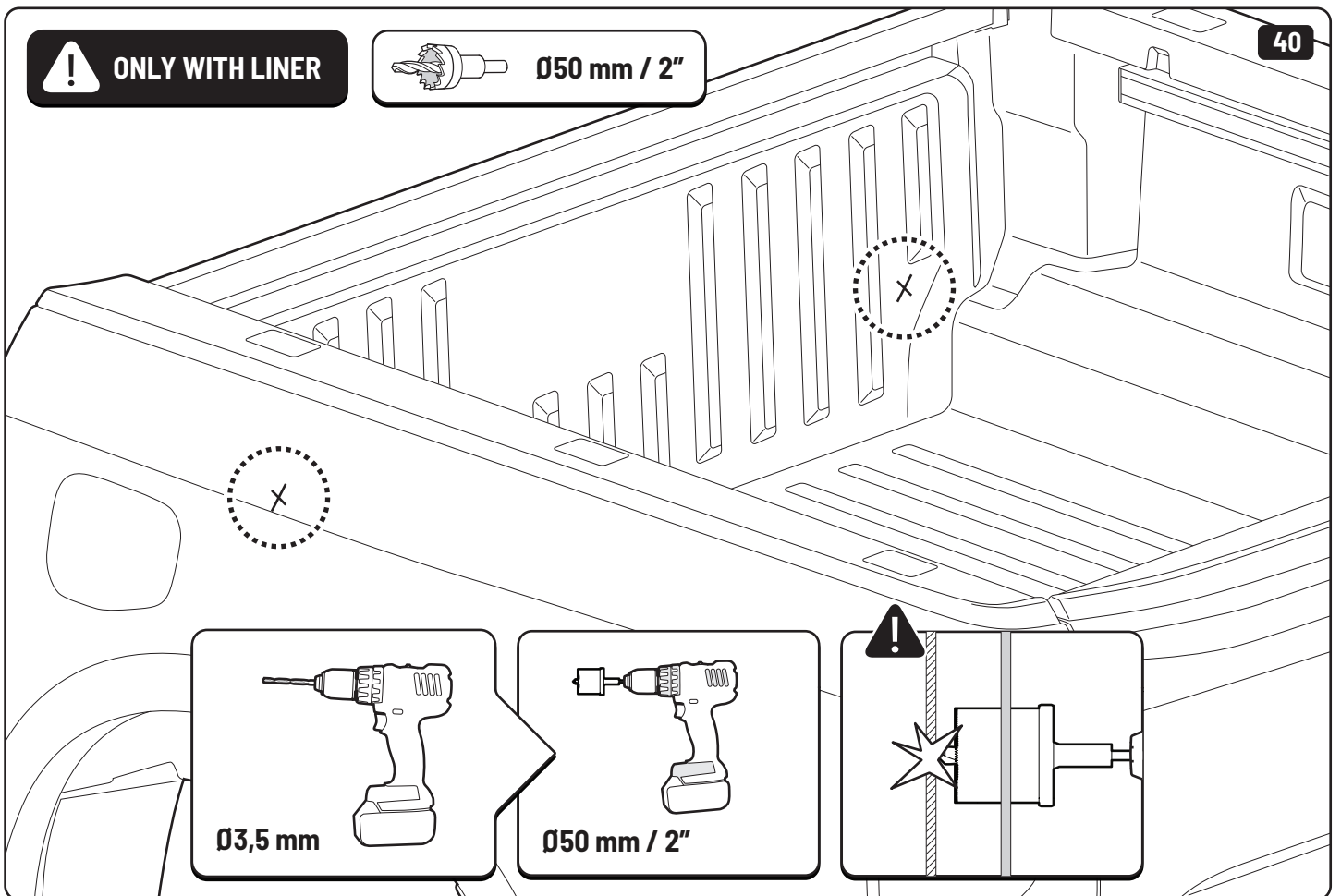
**39**



**ONLY WITH LINER**

 **Ø50 mm / 2"**

**40**

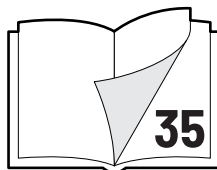
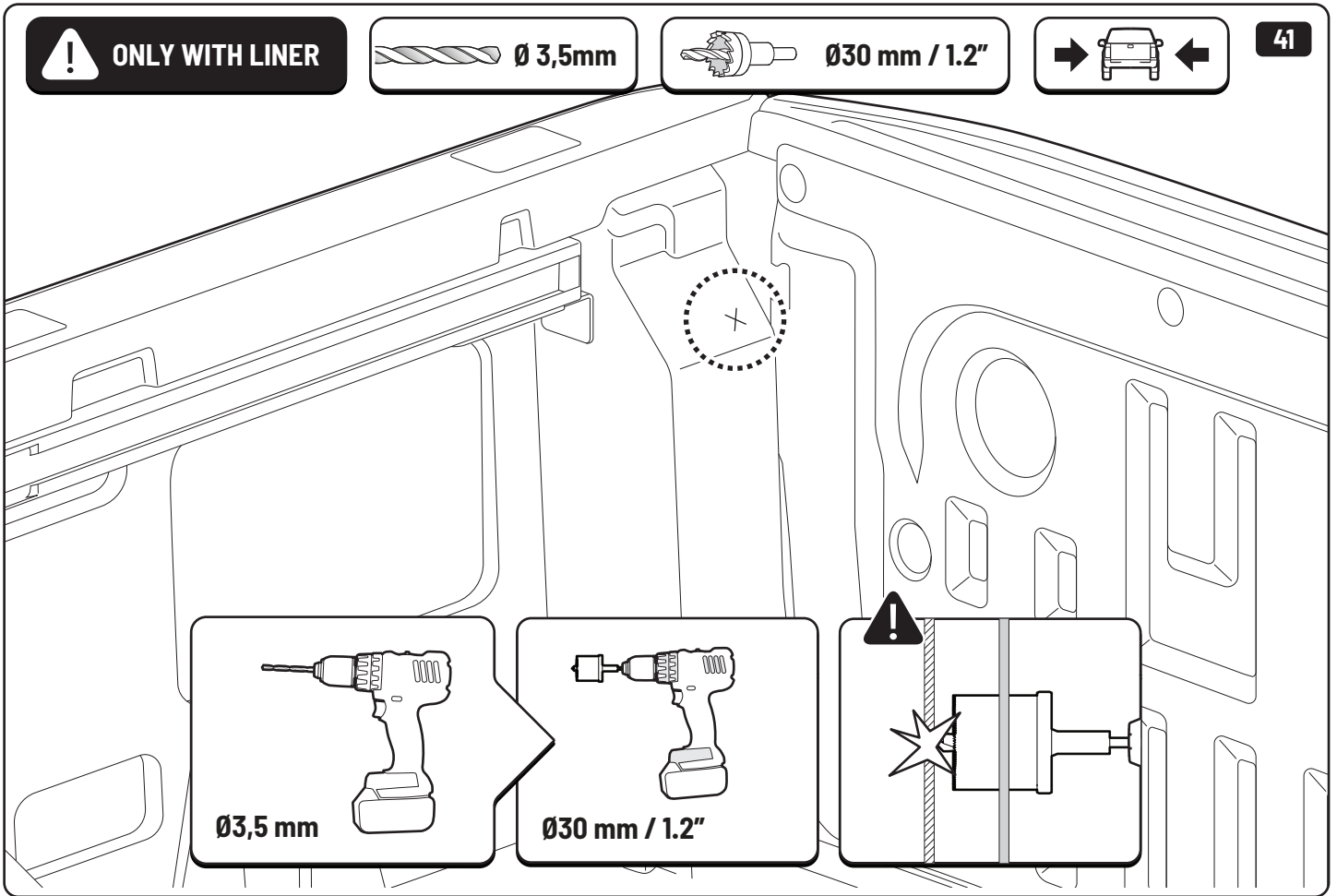


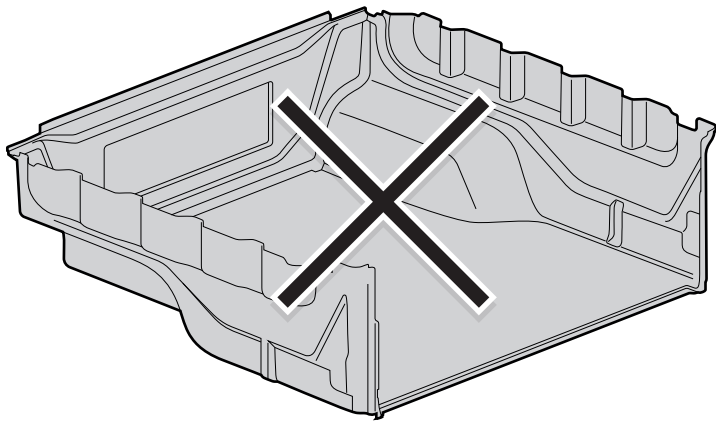


**ONLY WITH LINER**

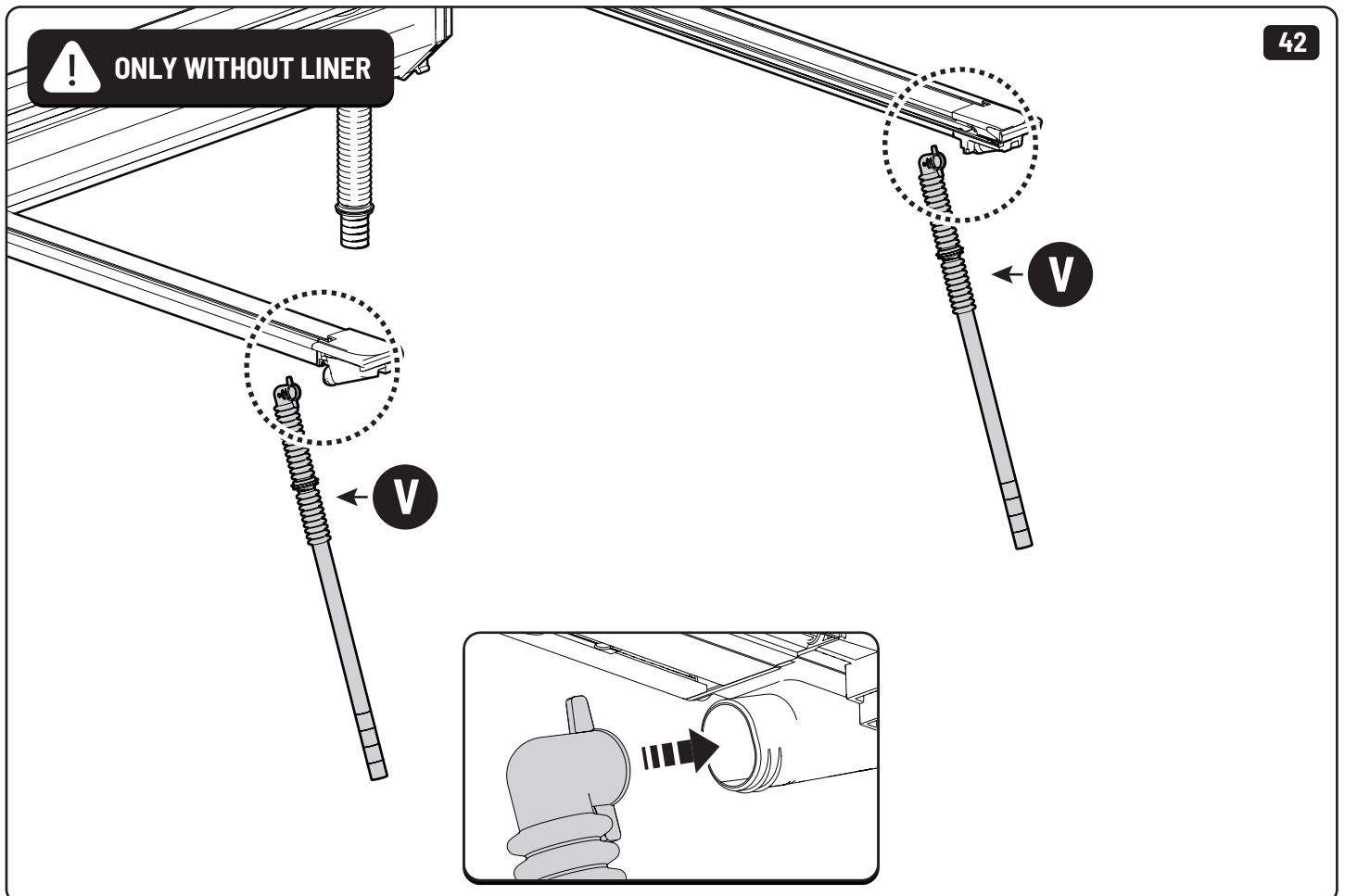
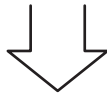


**41**

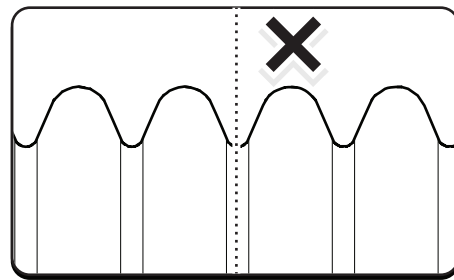
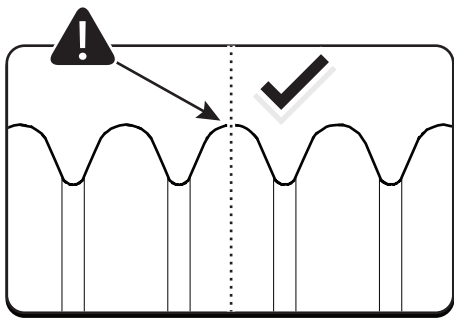
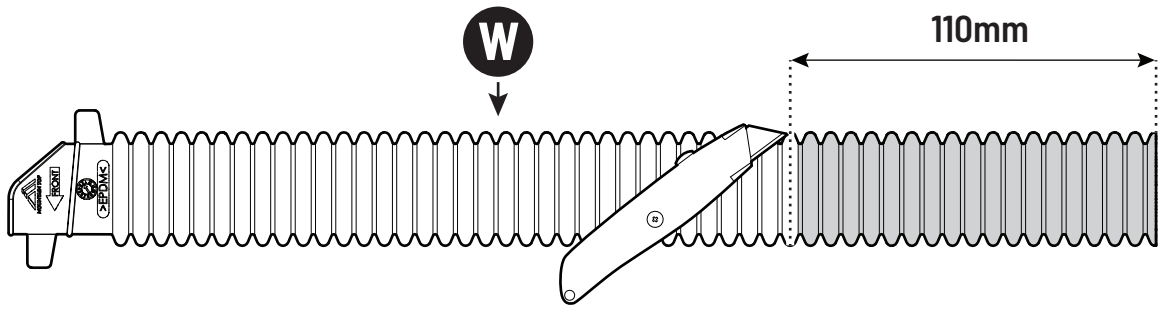




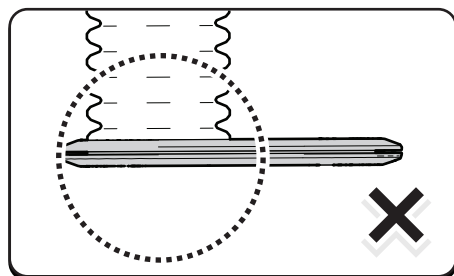
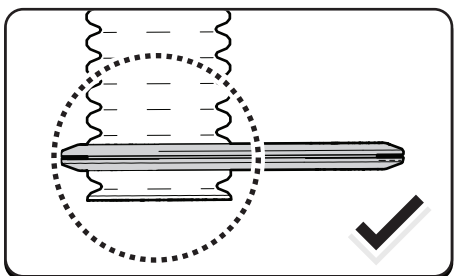
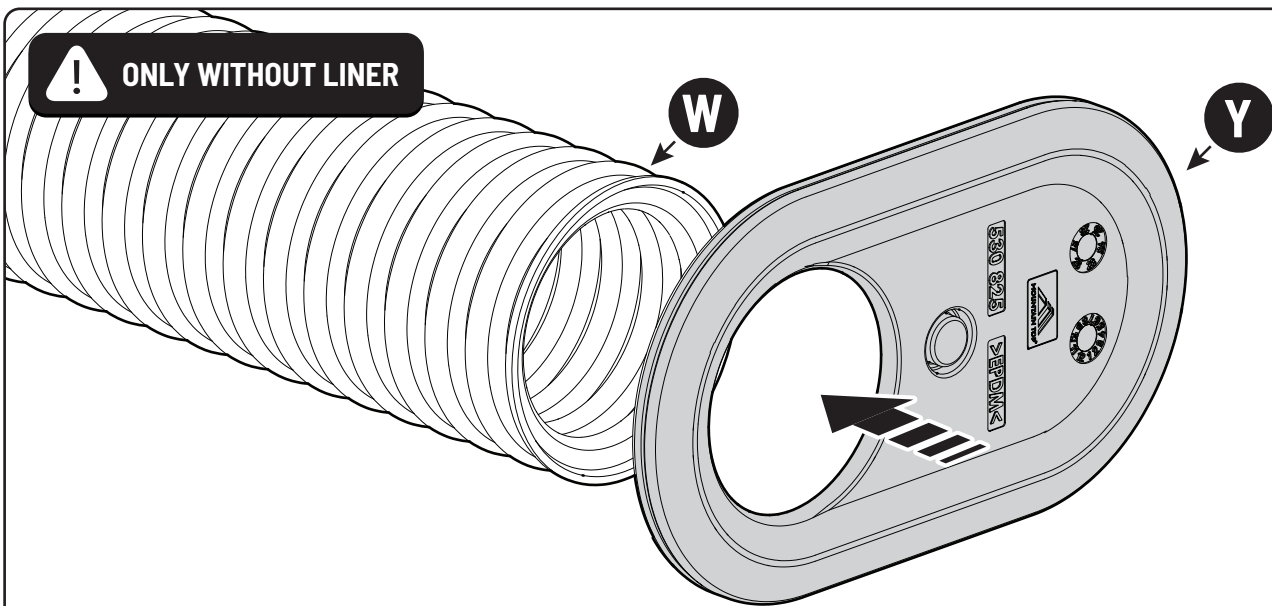
**+ SPRAY-IN  
BEDLINER**



**! ONLY WITHOUT LINER**

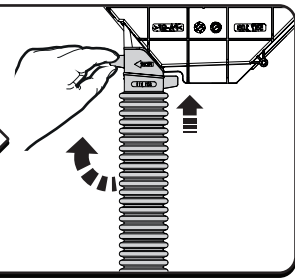
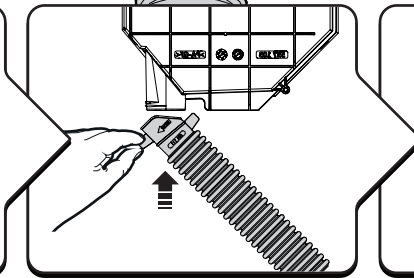
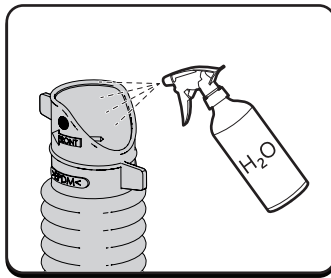
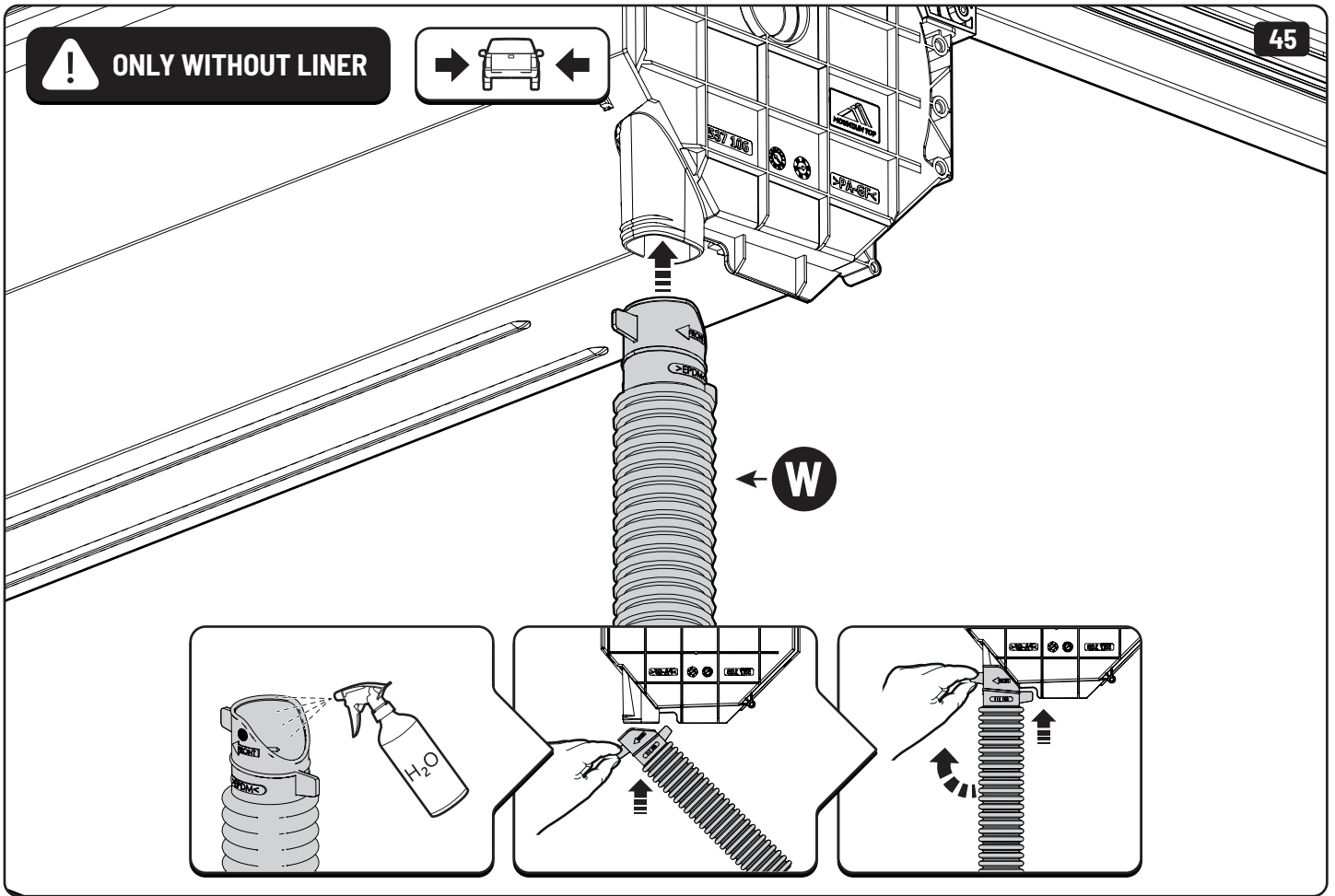


**! ONLY WITHOUT LINER**



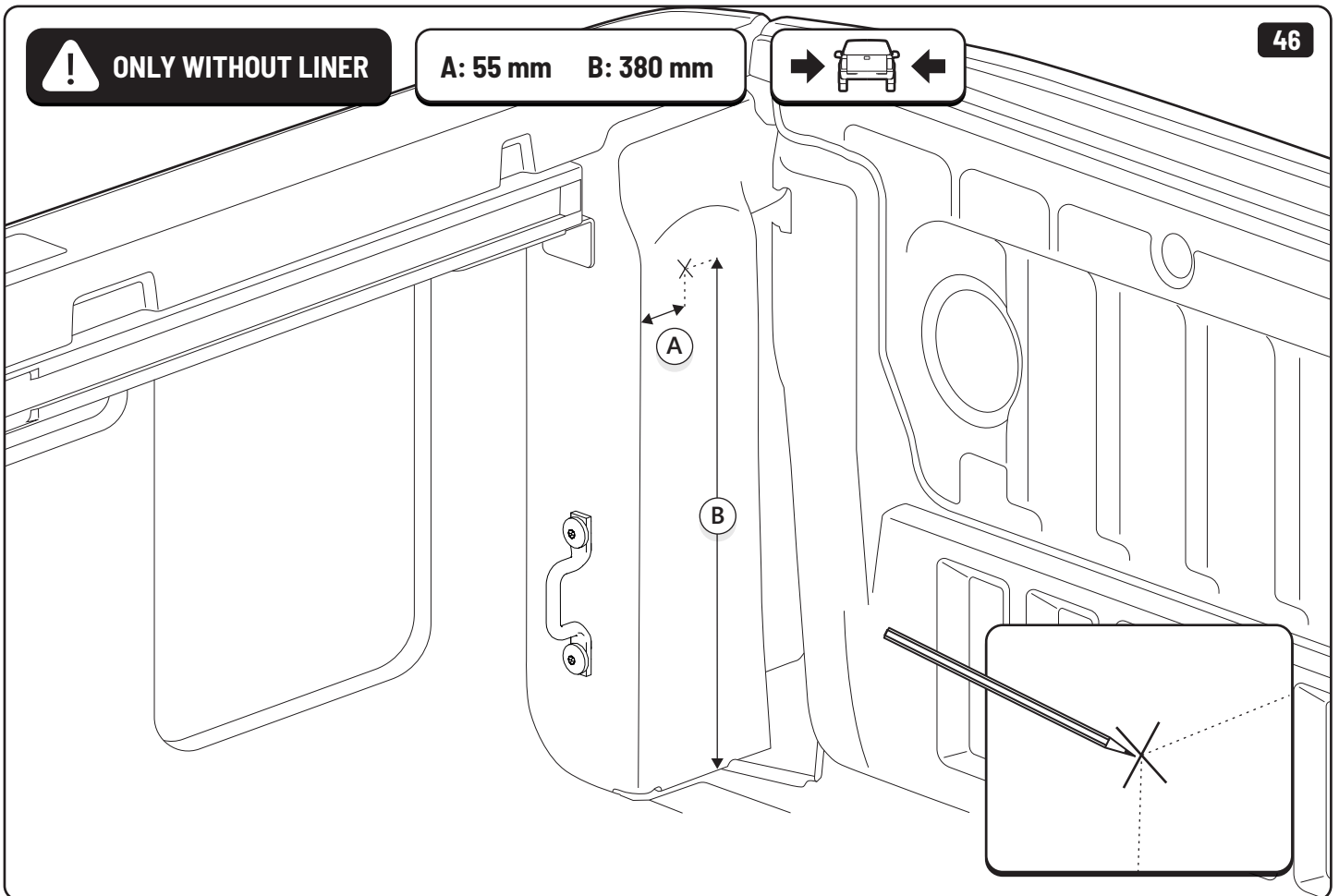


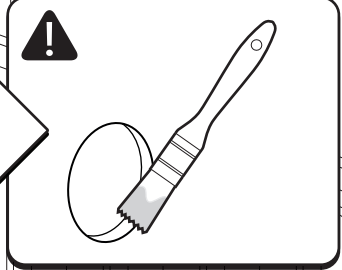
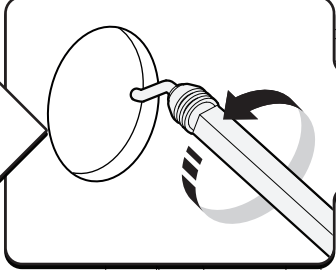
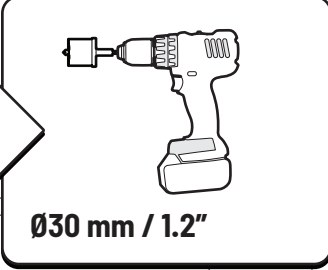
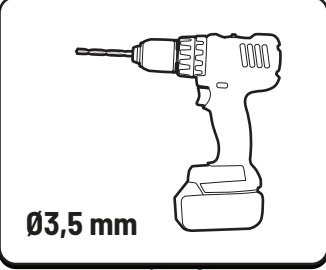
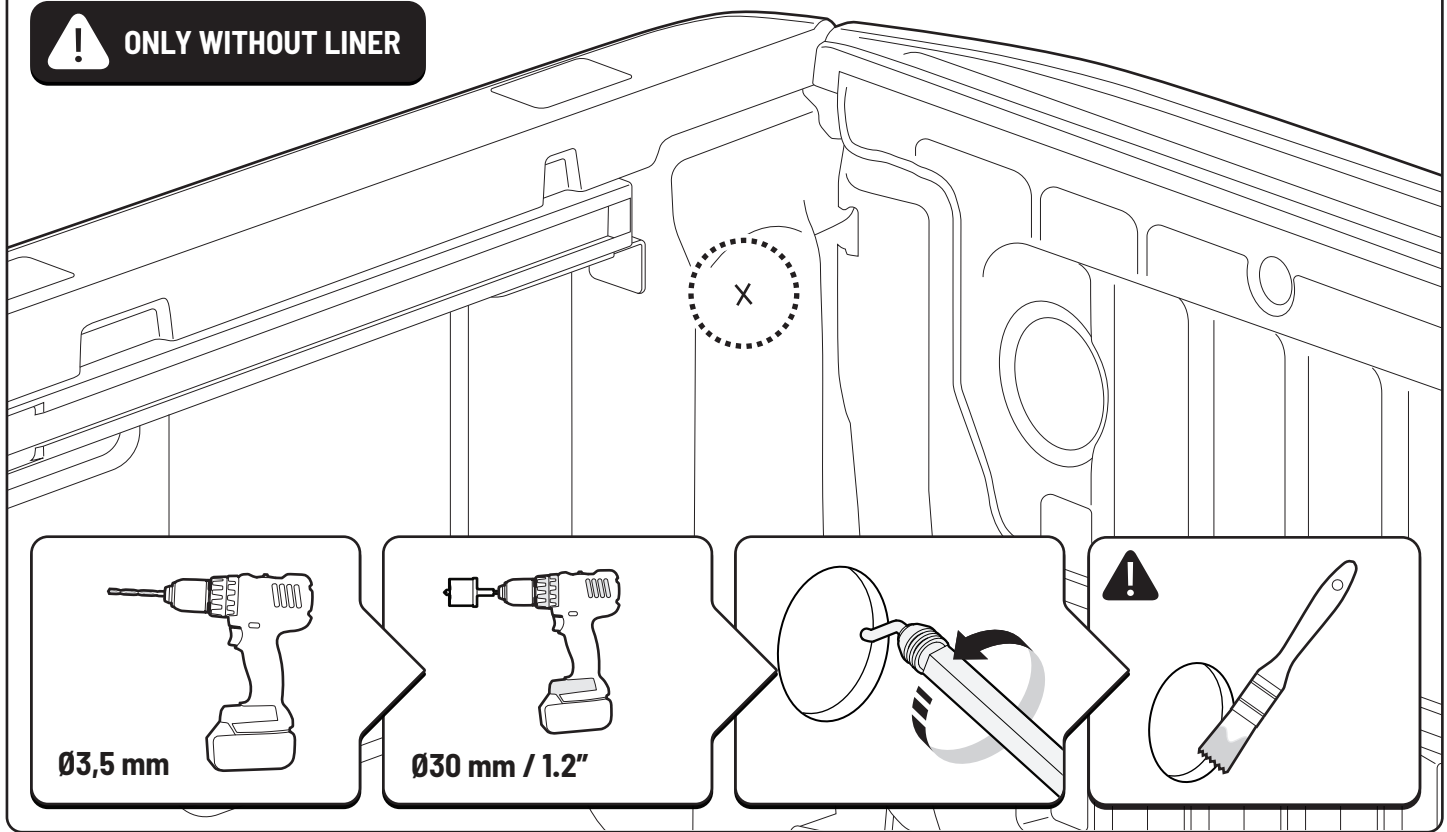
**! ONLY WITHOUT LINER**



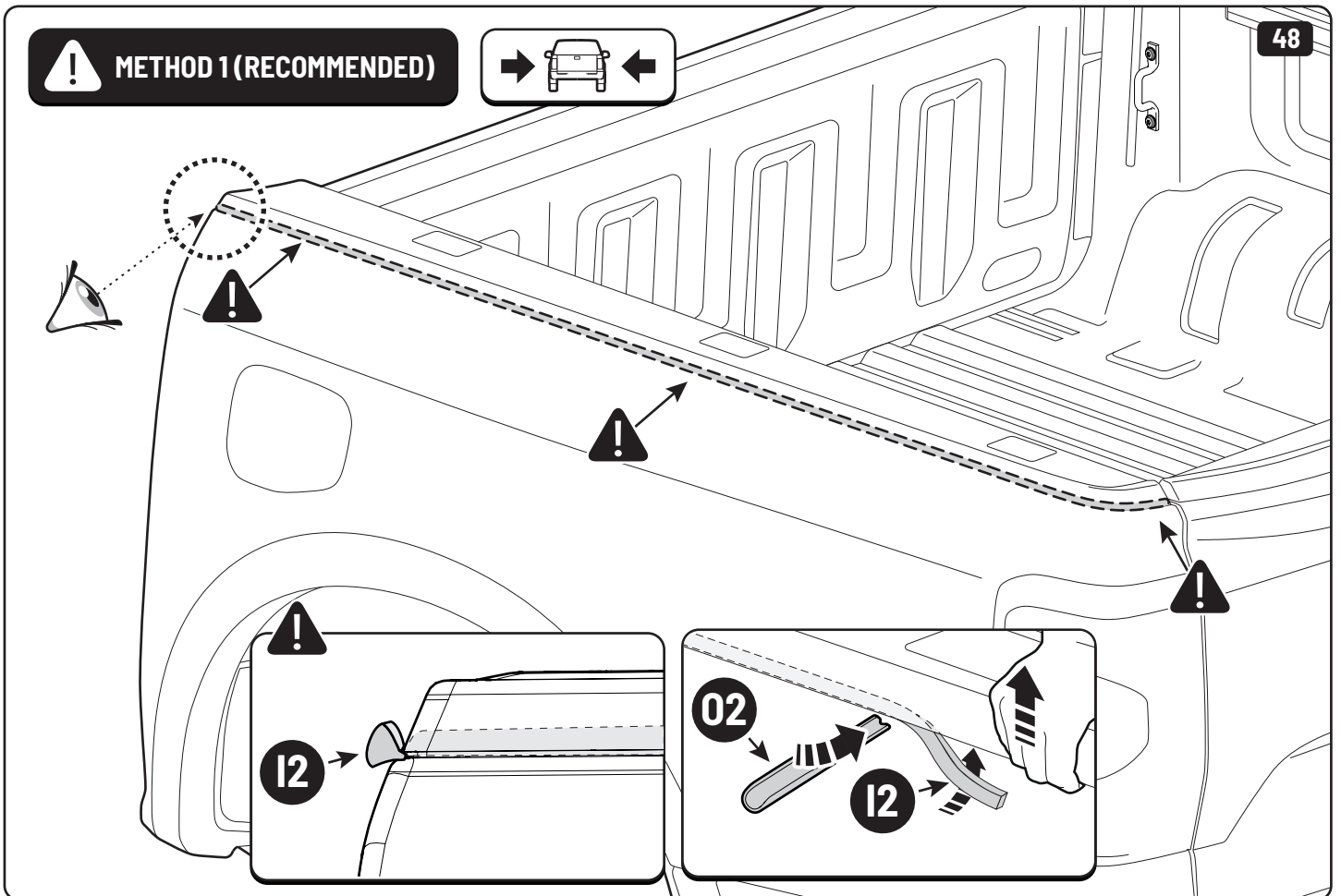
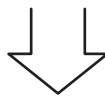
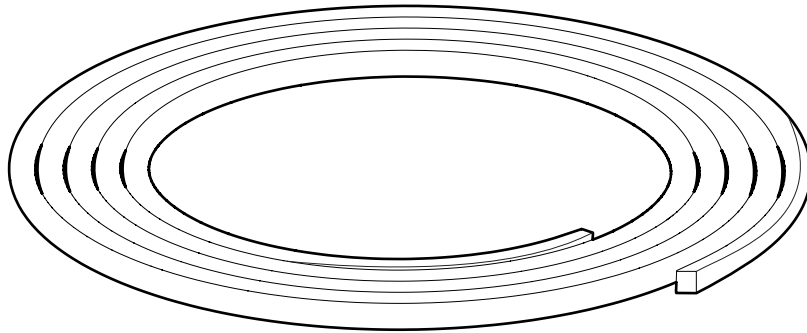
**! ONLY WITHOUT LINER**

**A: 55 mm B: 380 mm**

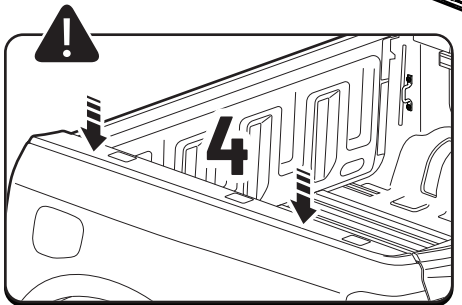
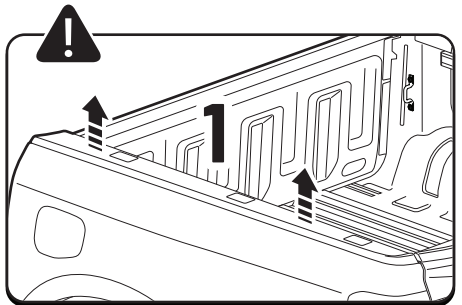
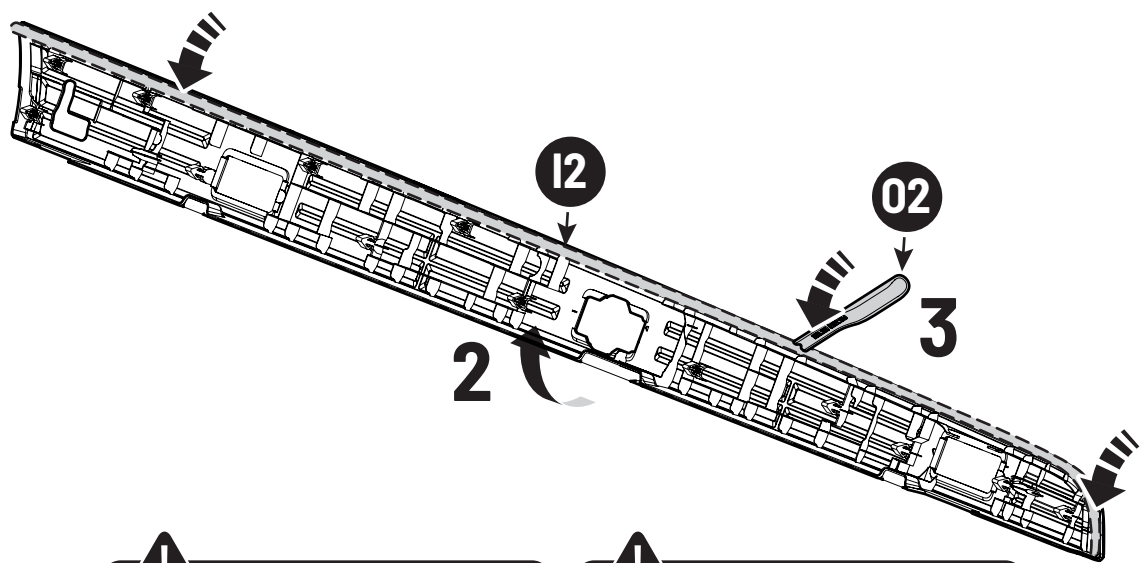
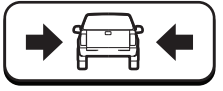




12

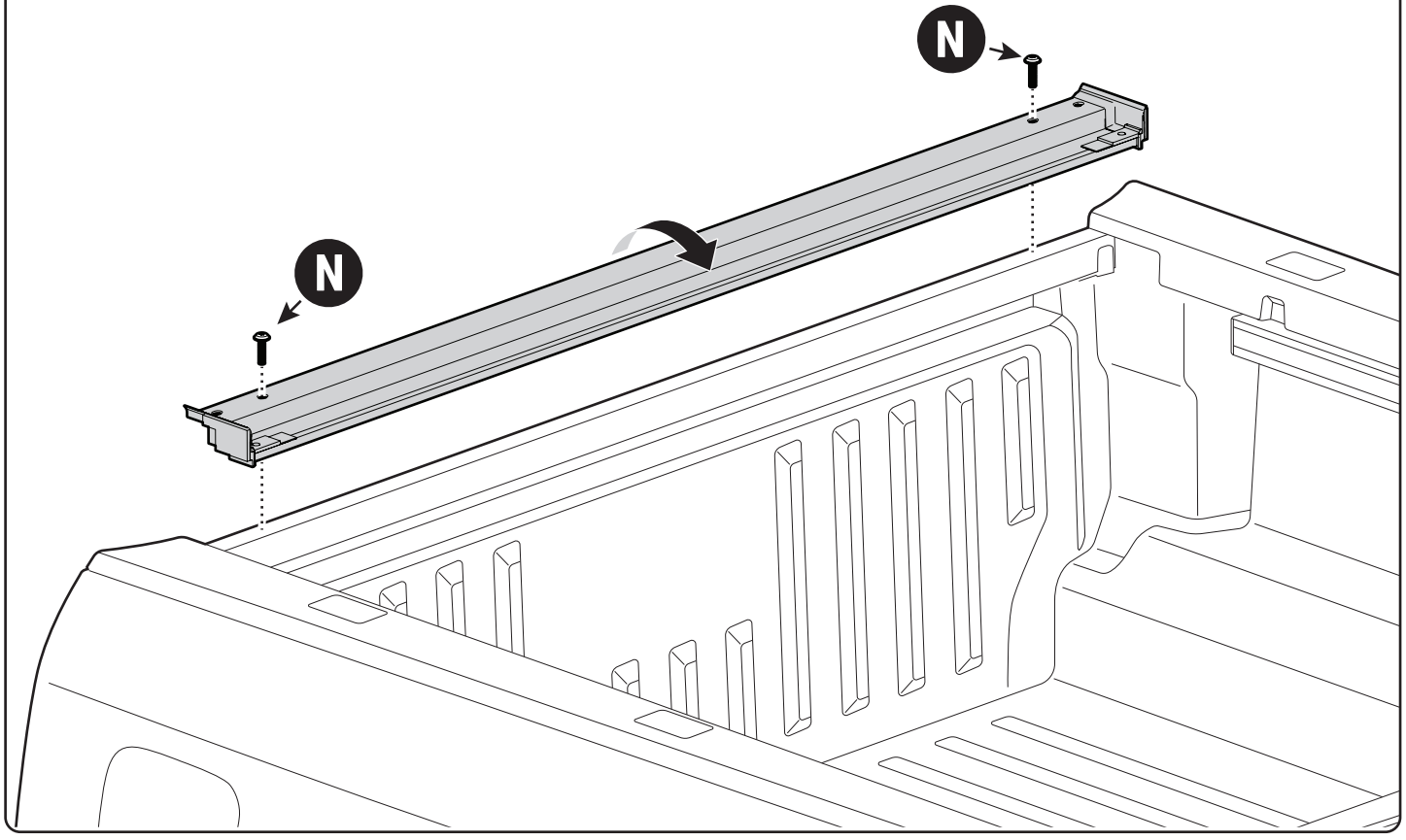
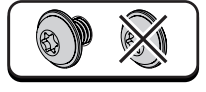


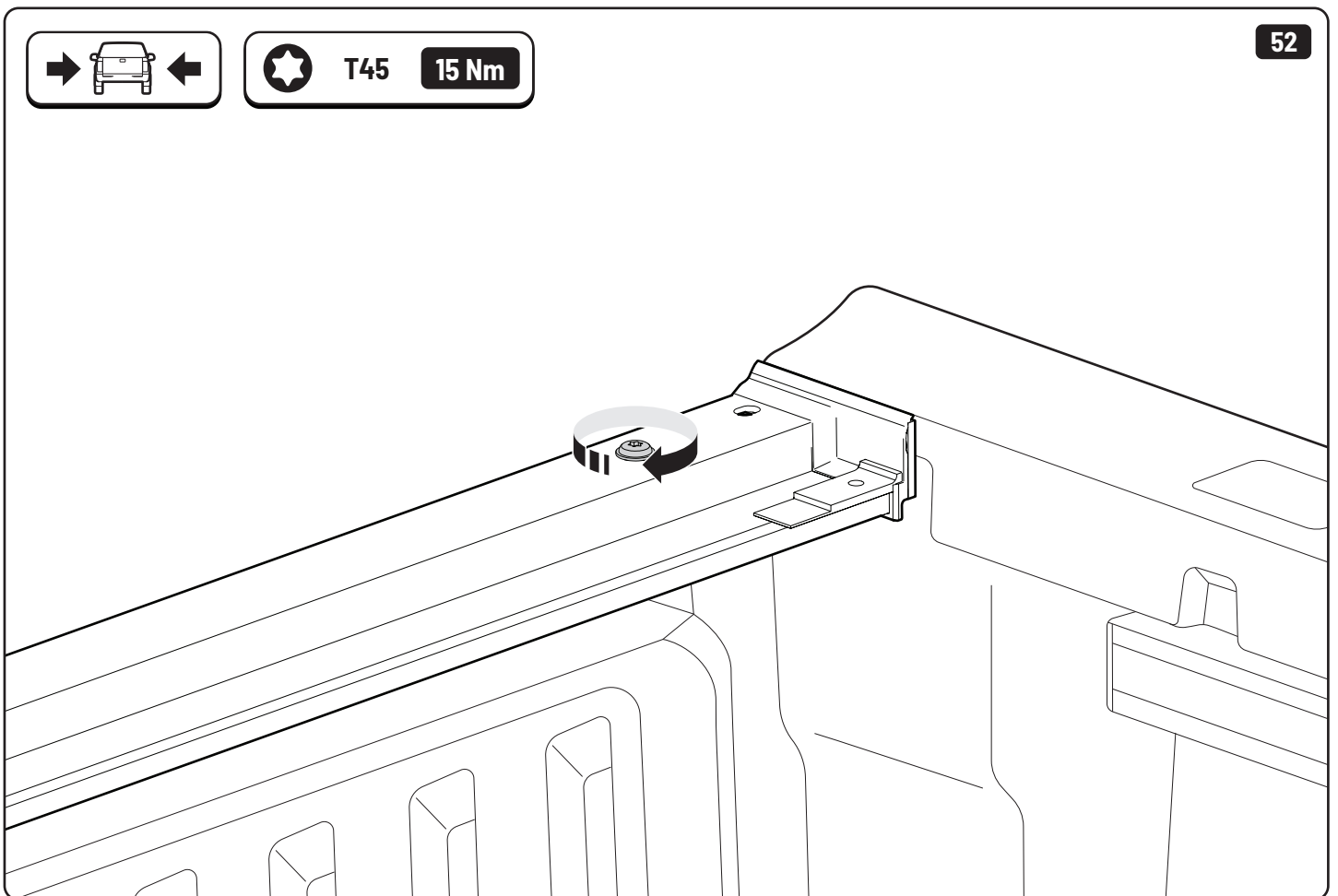
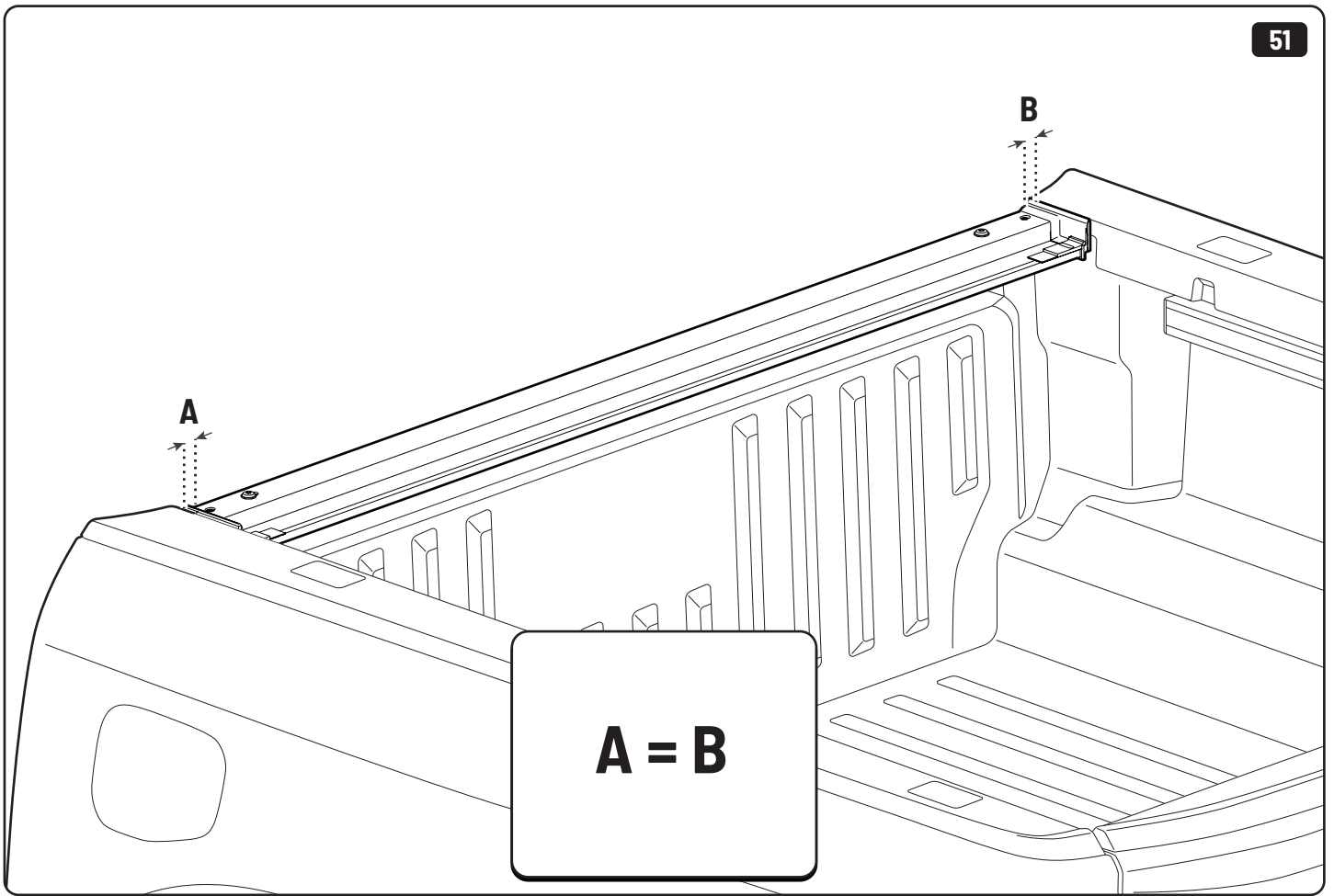
**! METHOD 2**

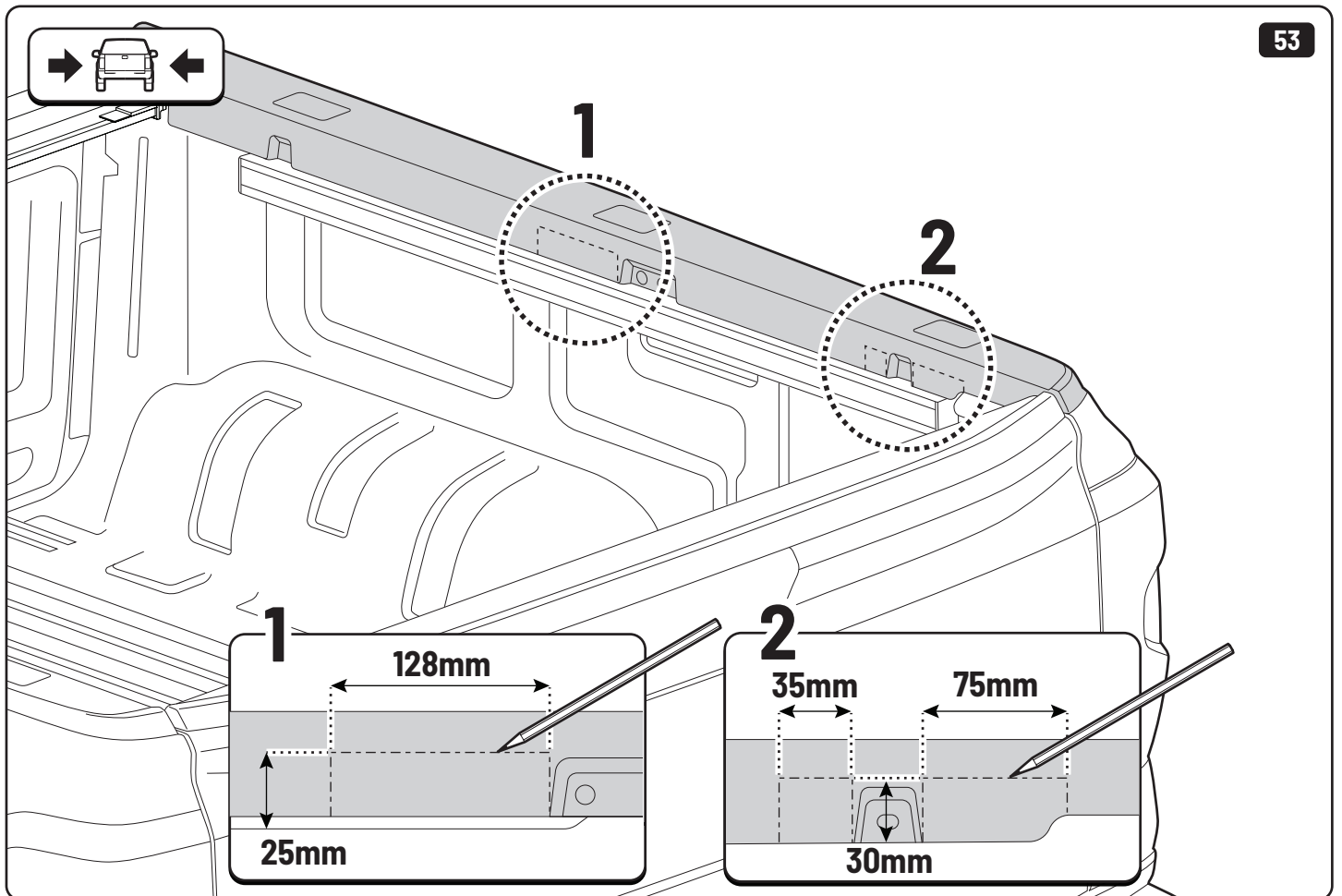
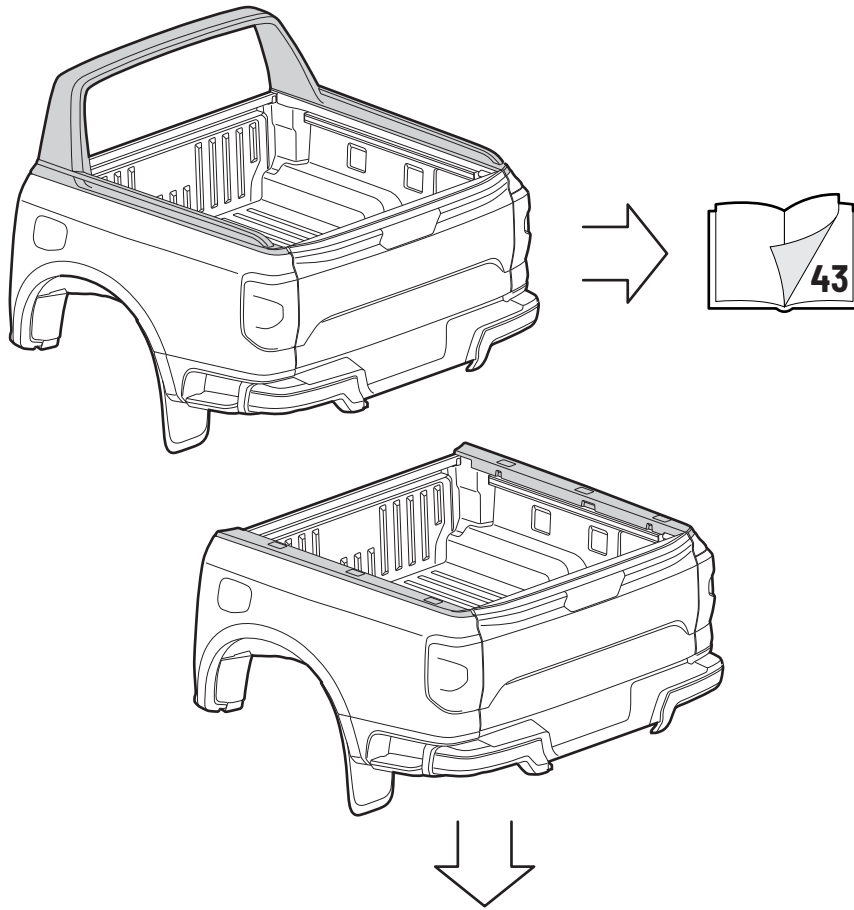


**LOCTITE 243**

**T45**

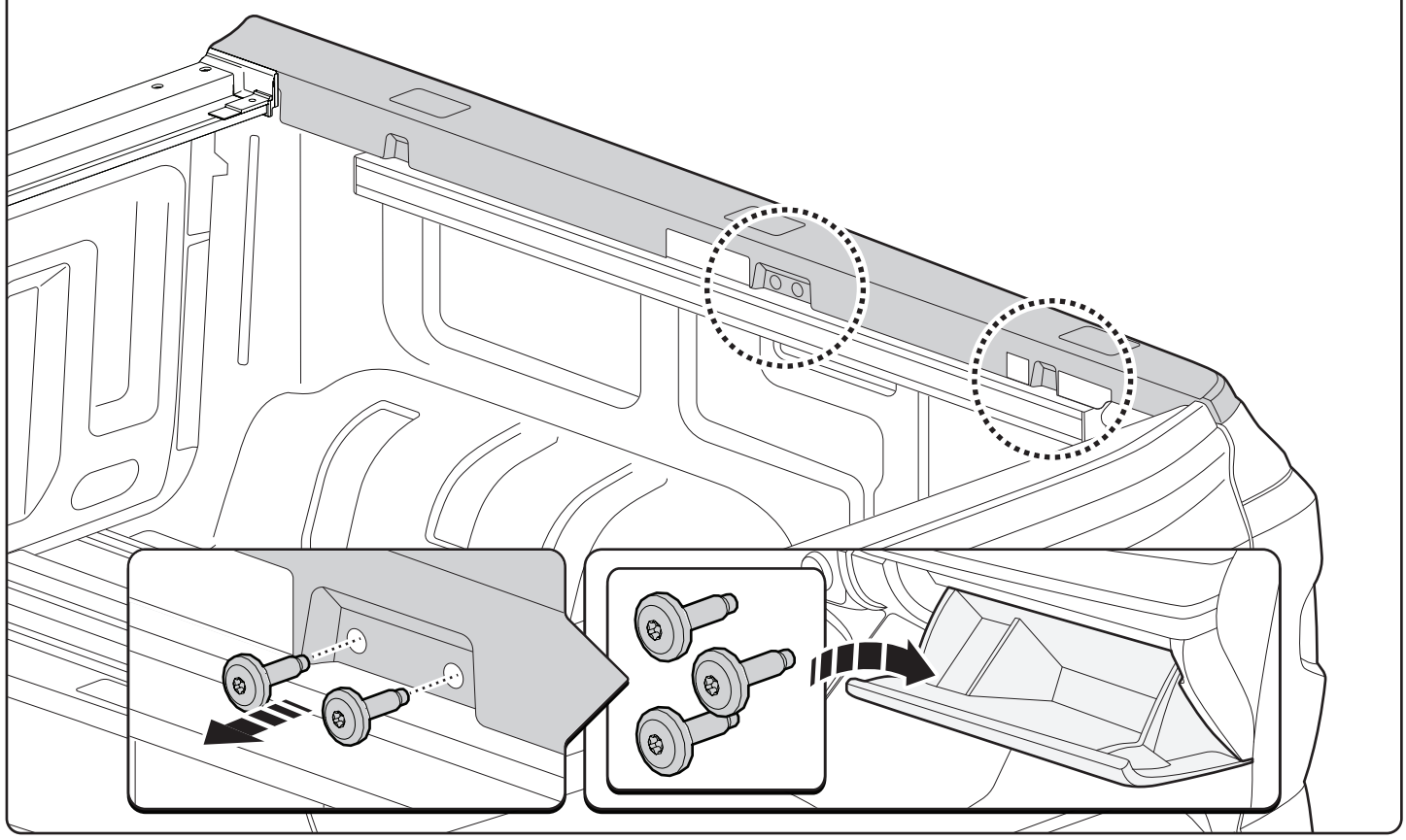
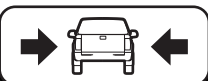
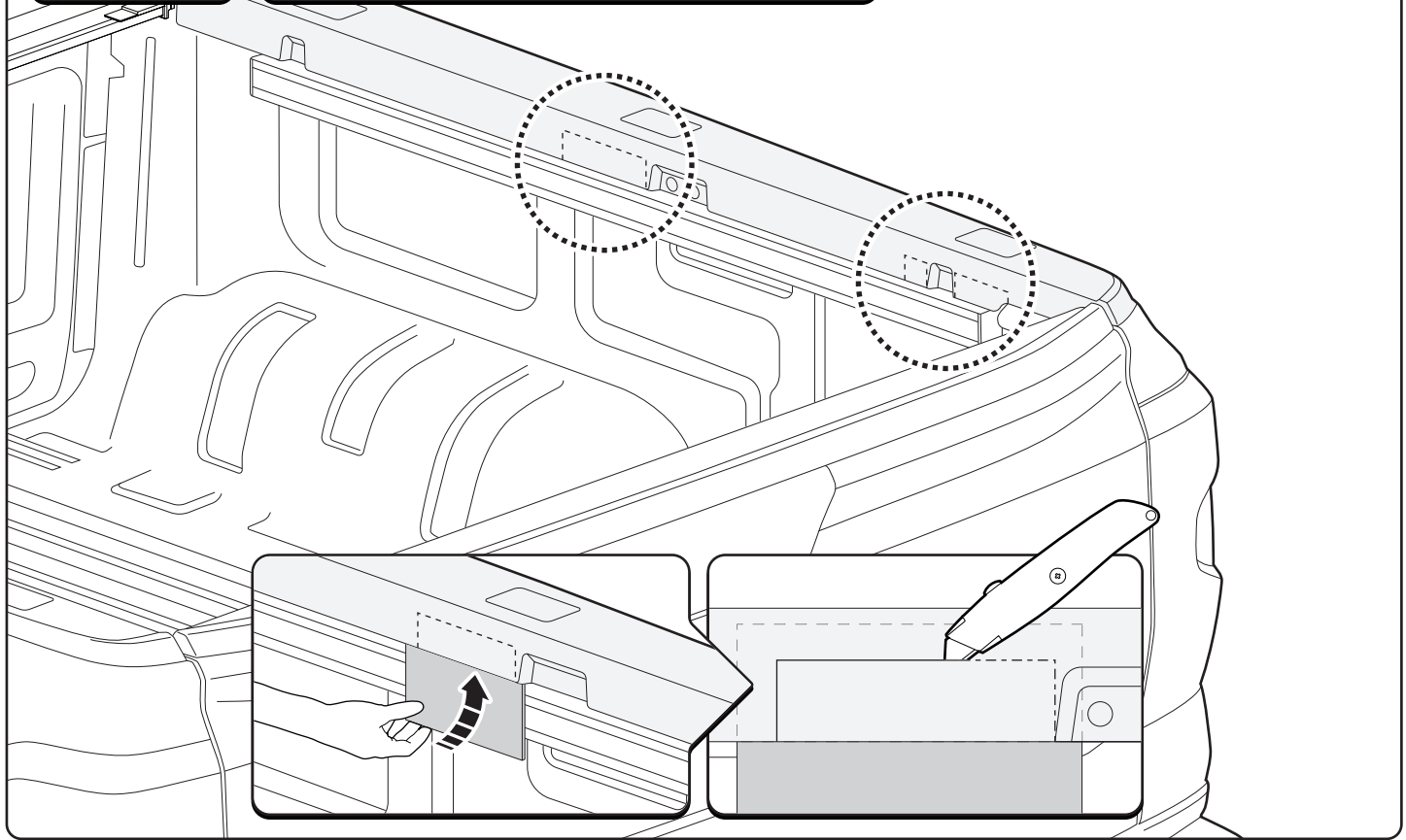


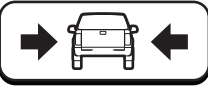






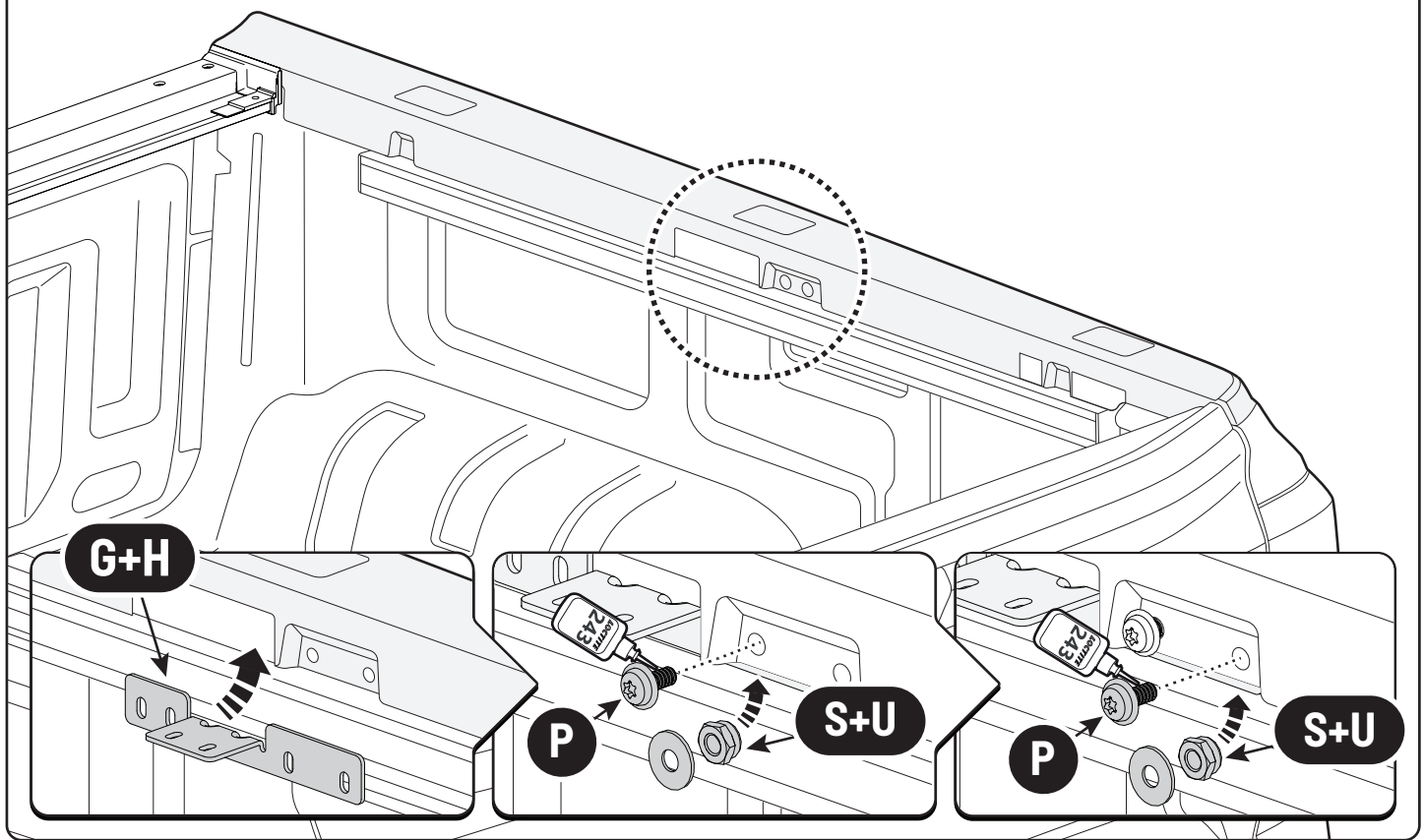
**USE PROTECTIVE WOOD / PLASTIC BOARD**





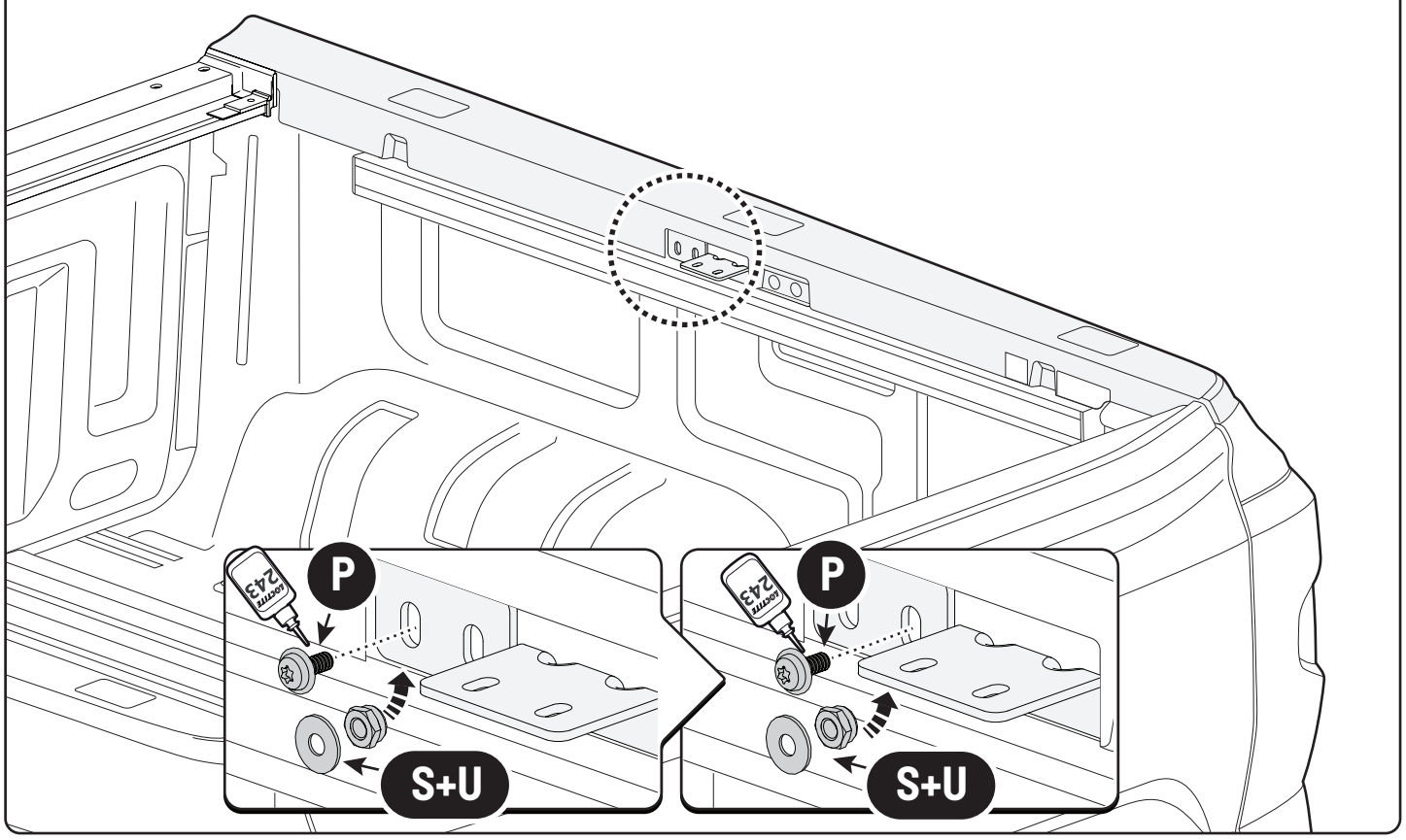
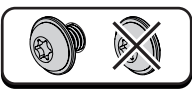
LOCTITE 243

T30

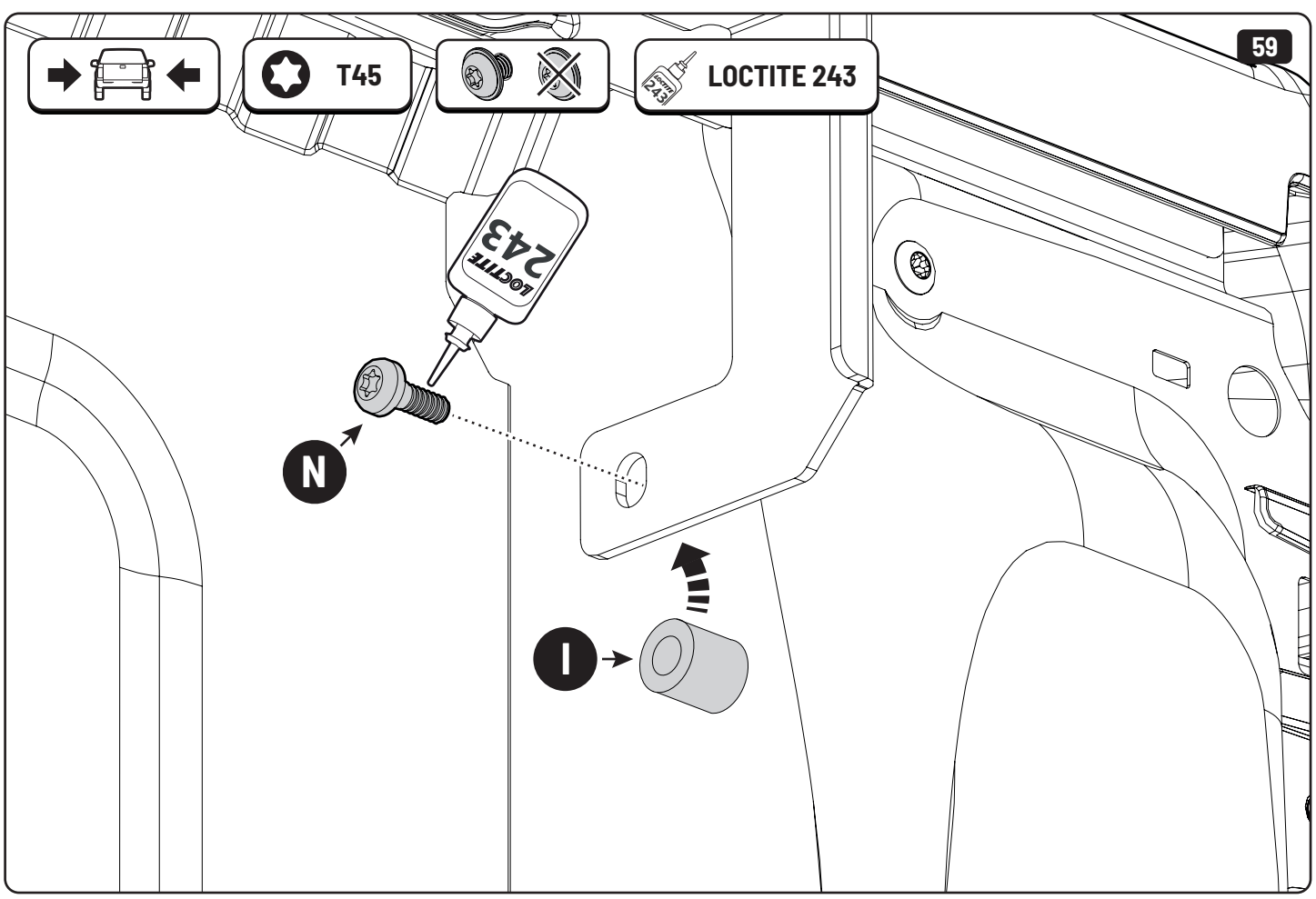
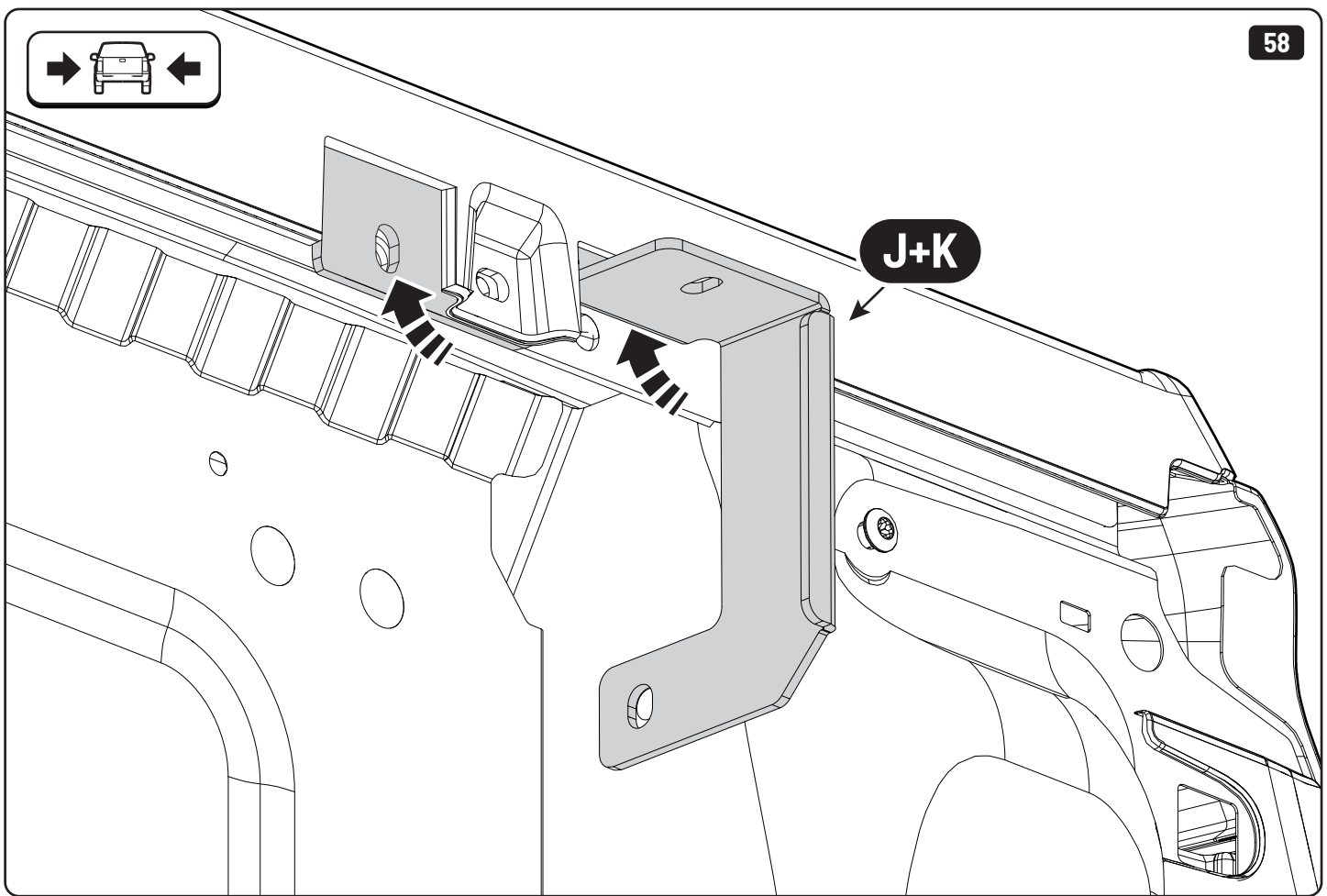
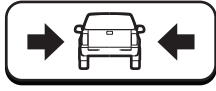


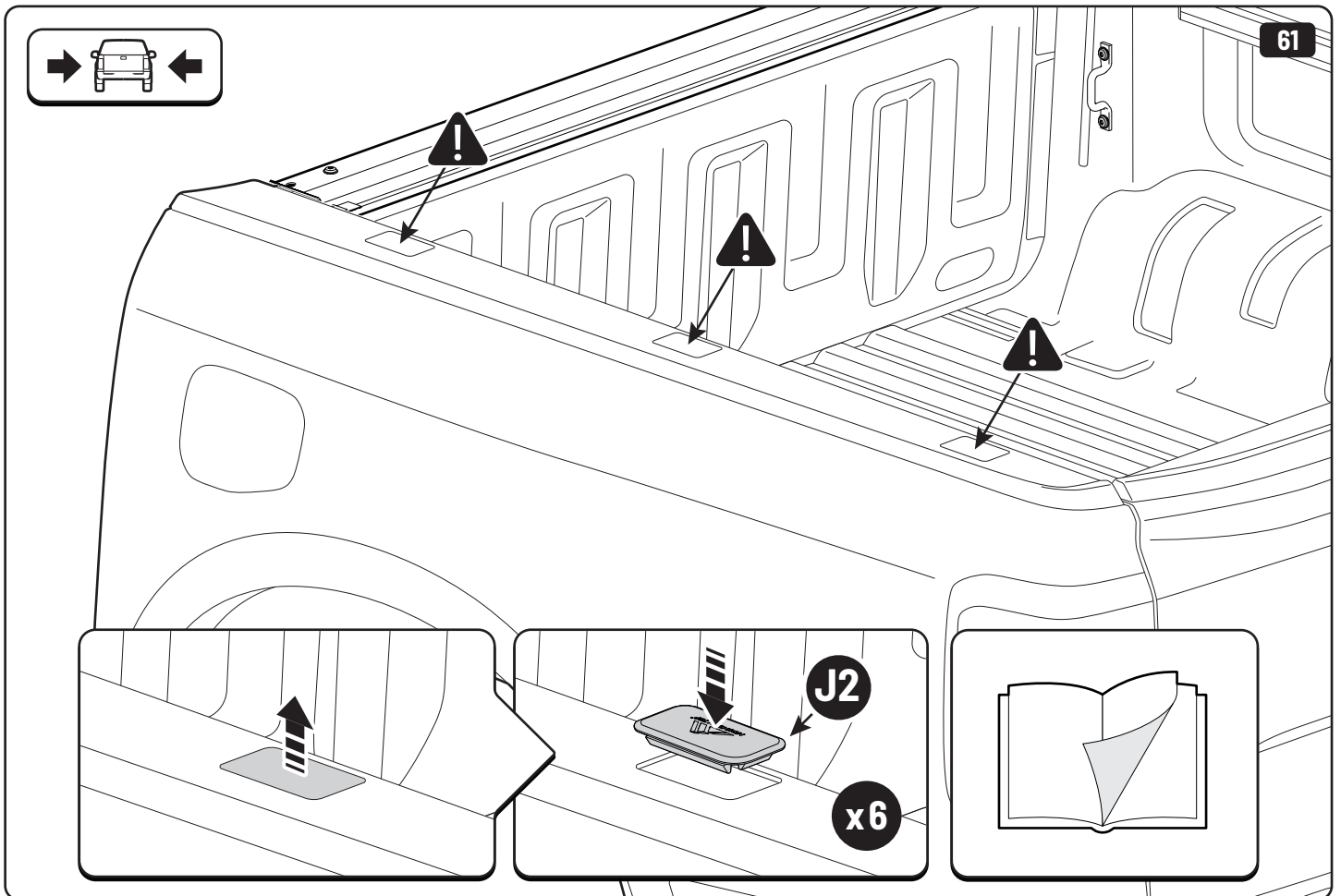
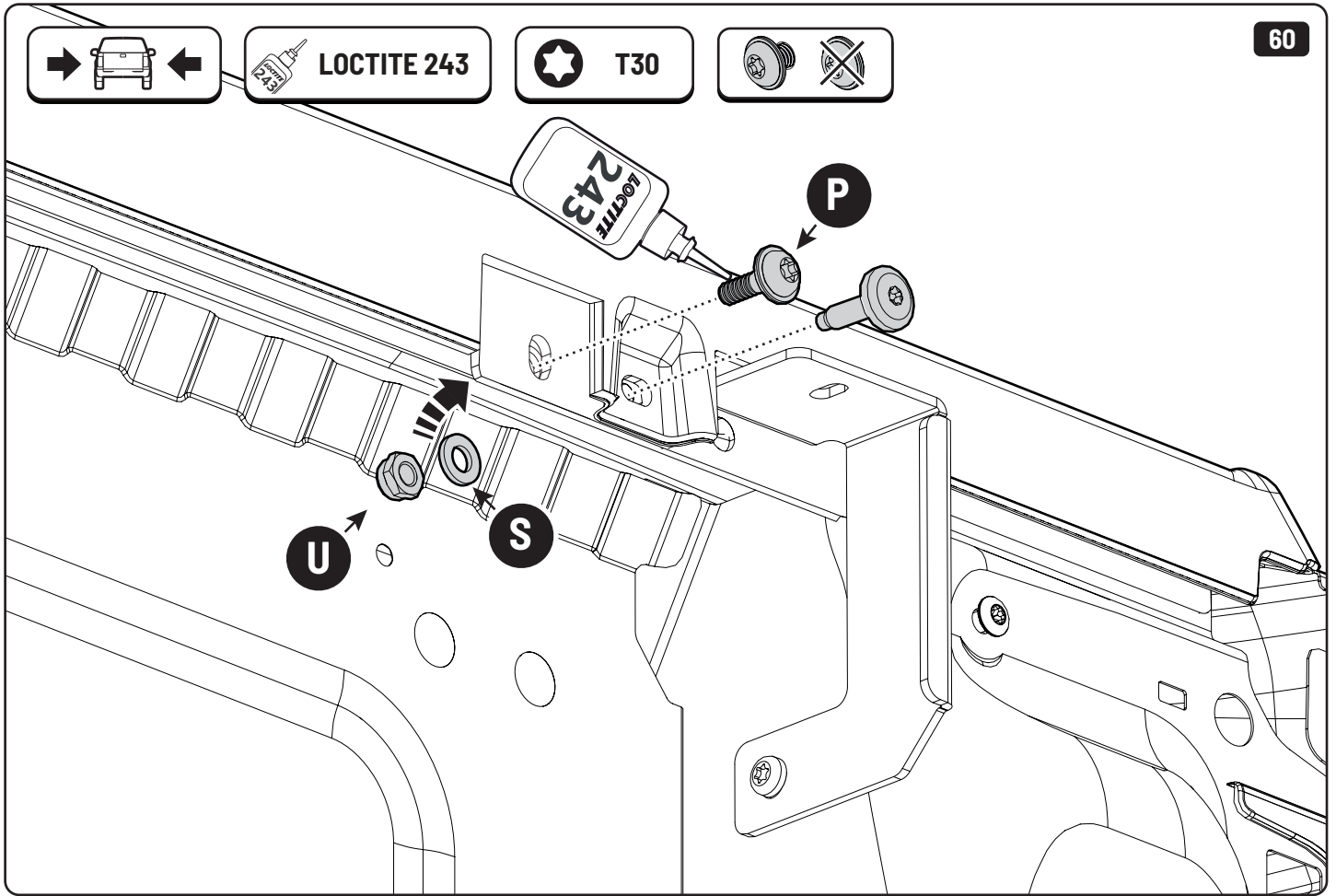
LOCTITE 243

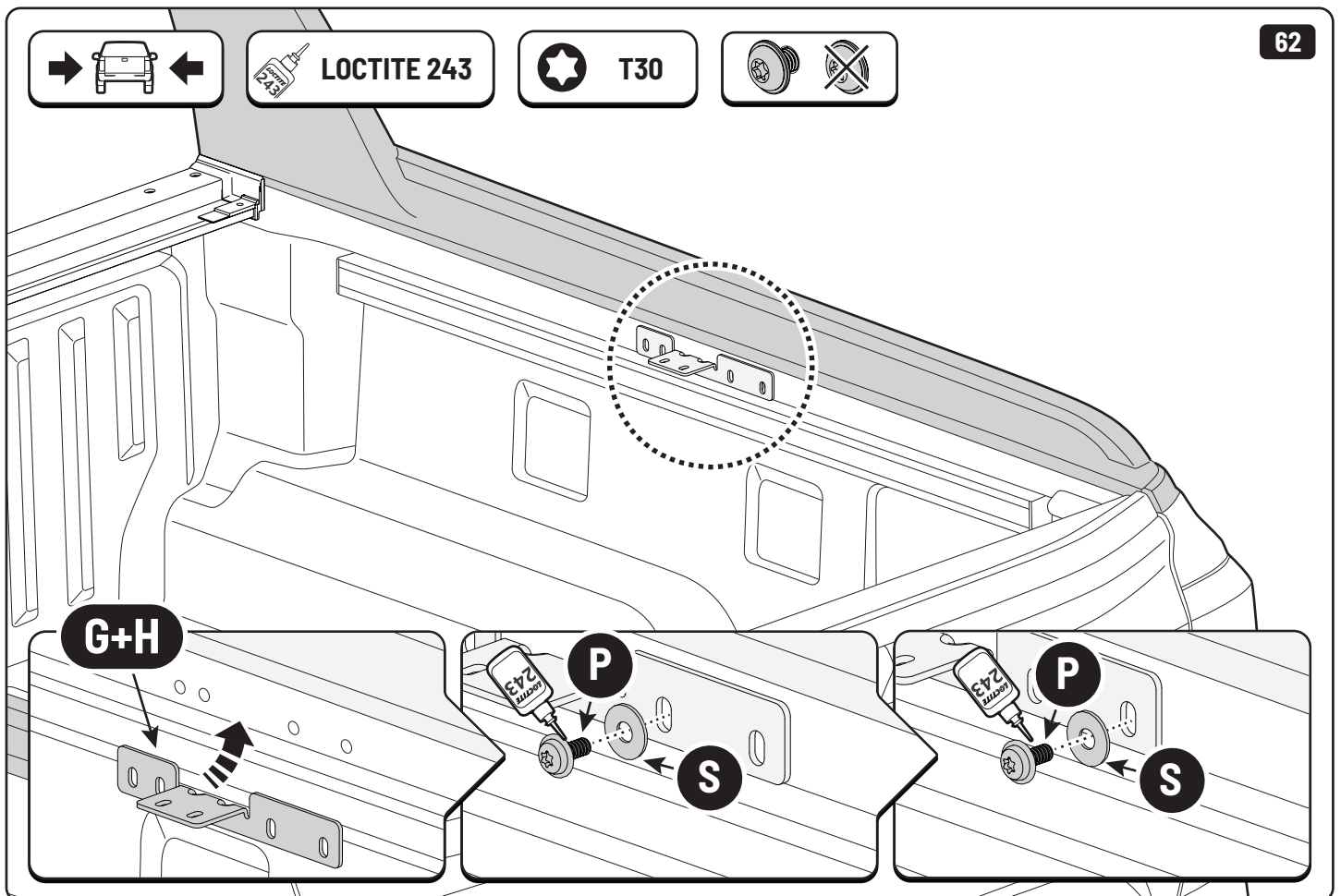
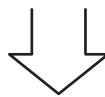
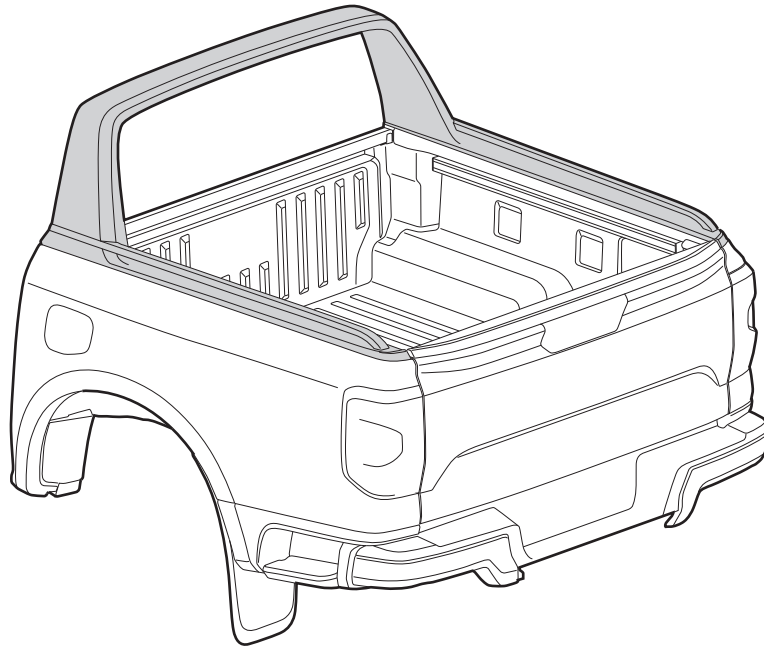
T30

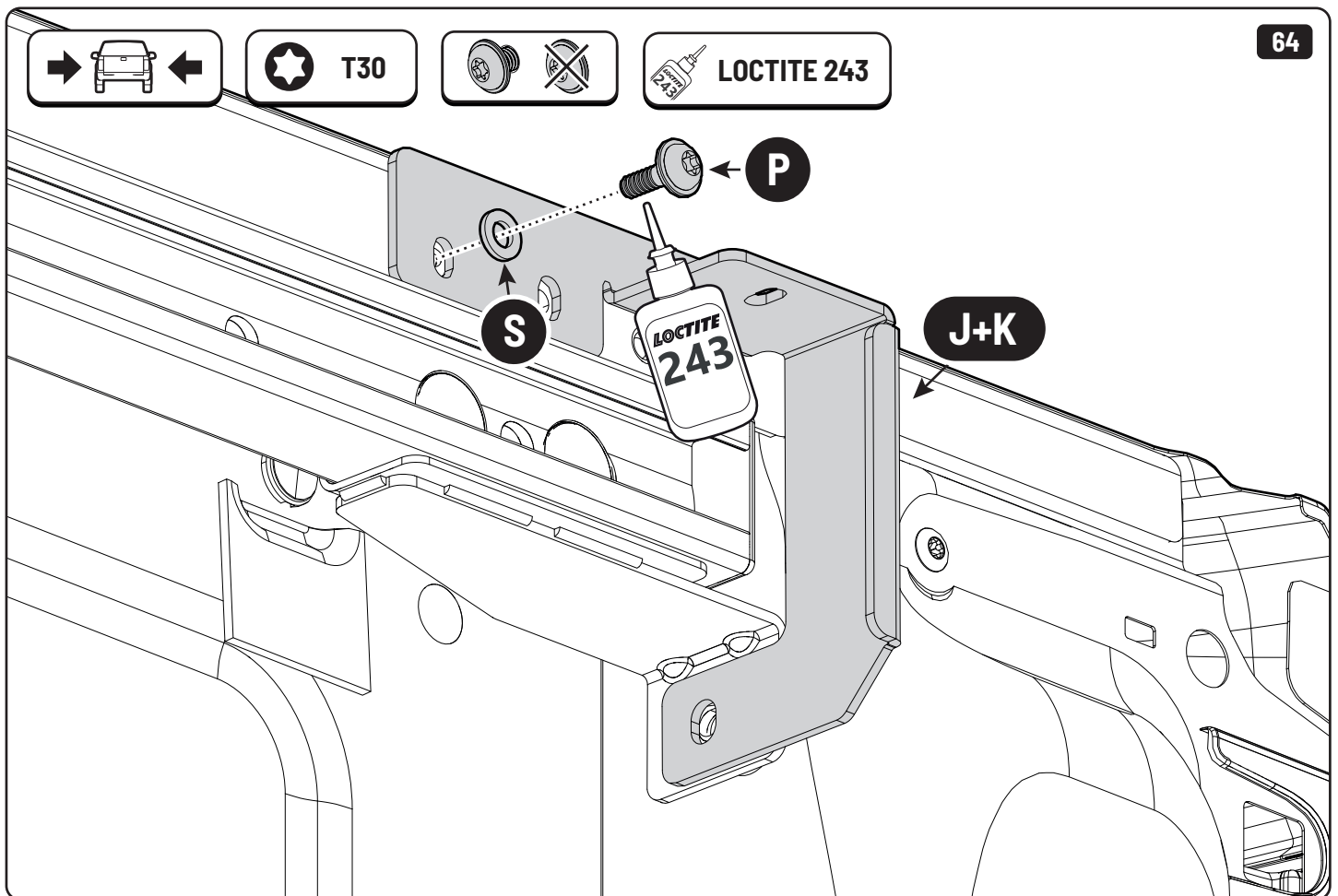
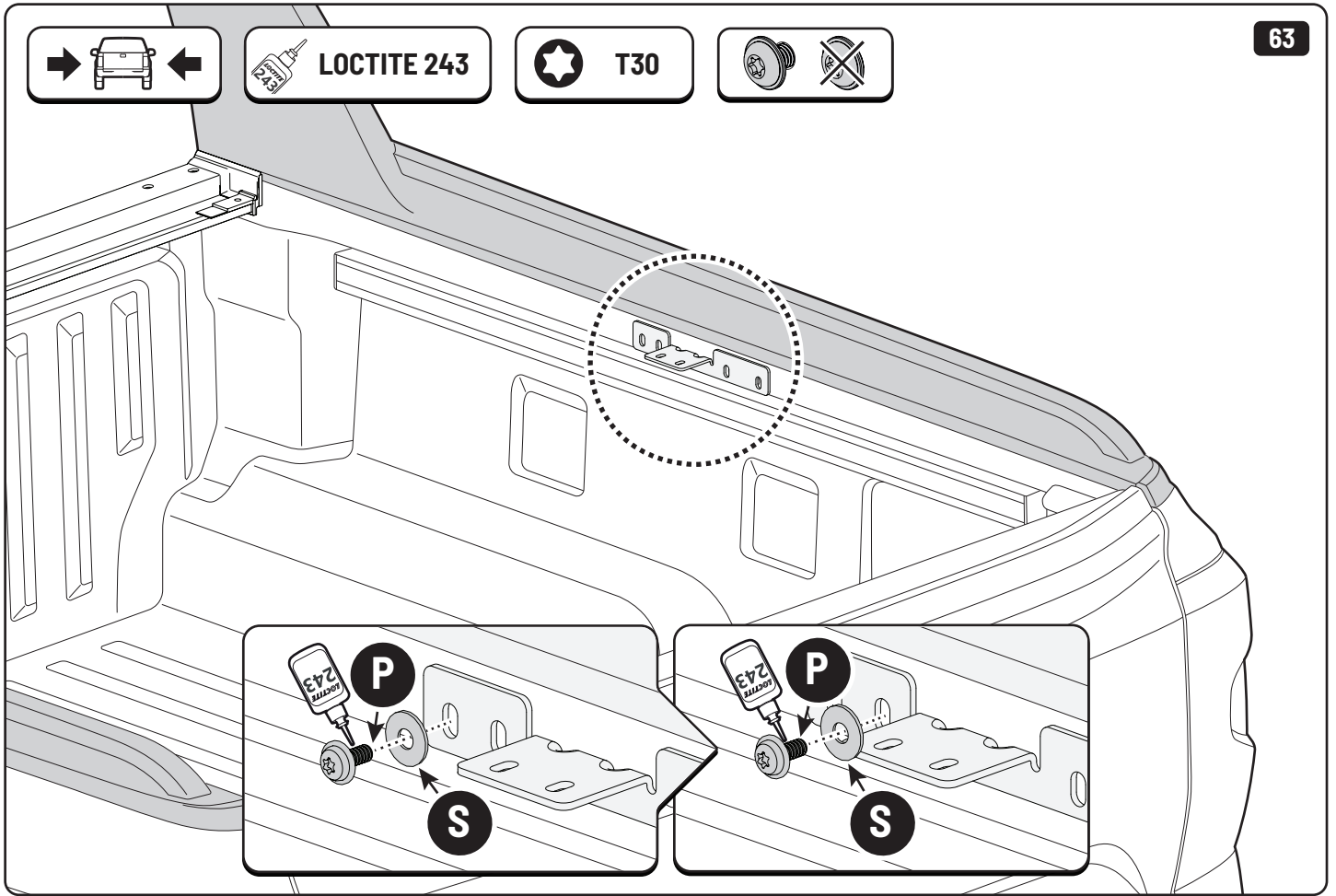


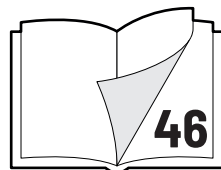
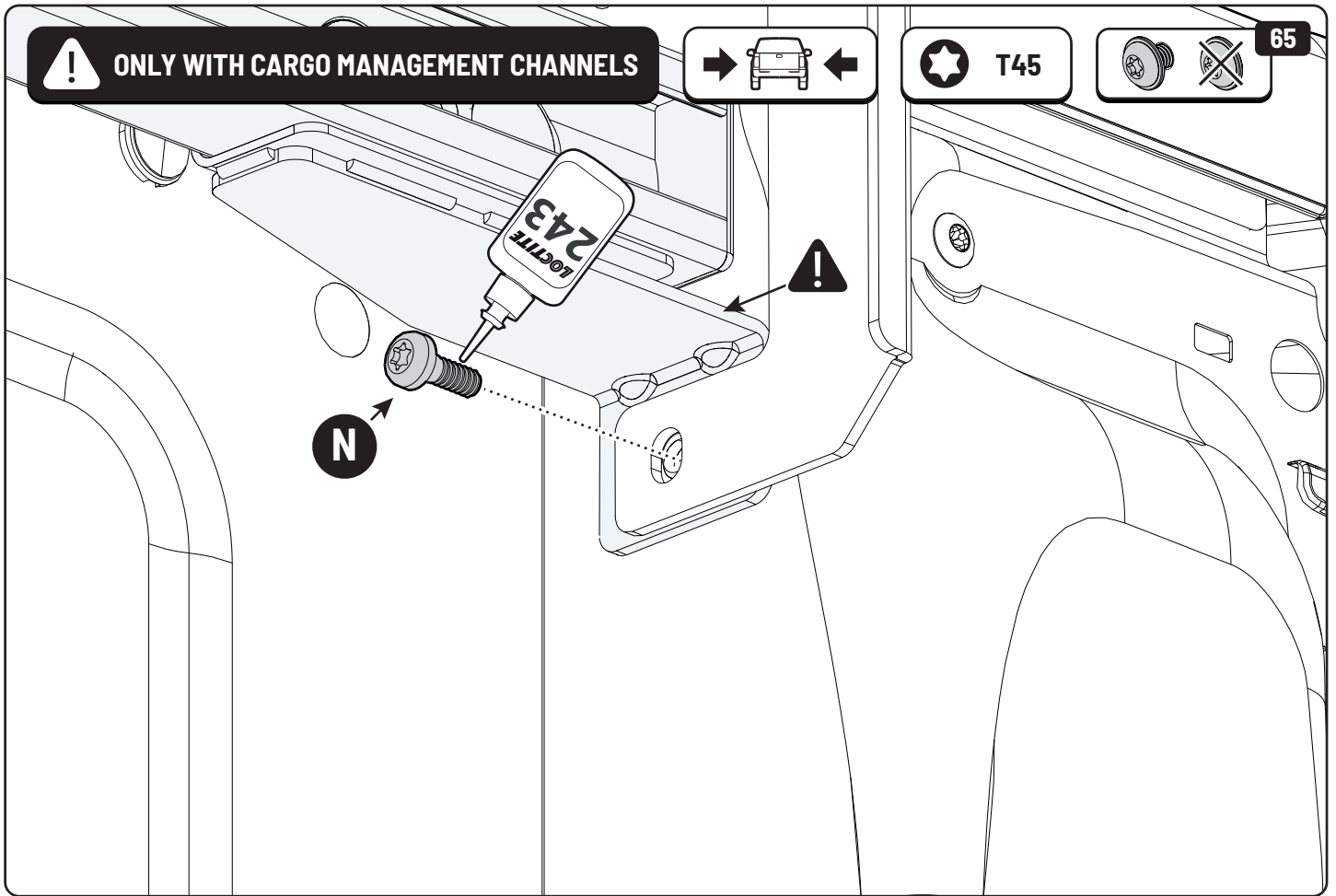


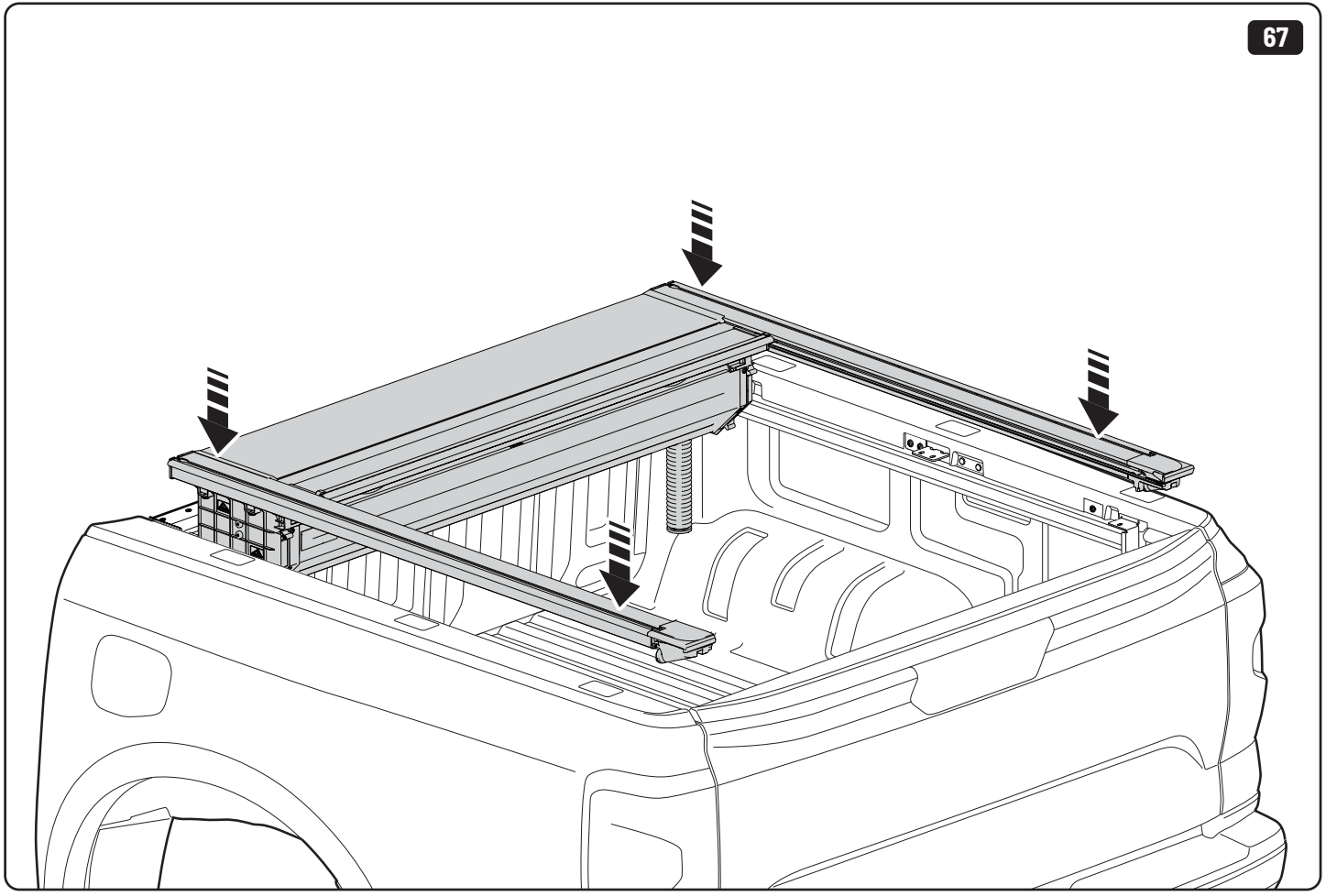
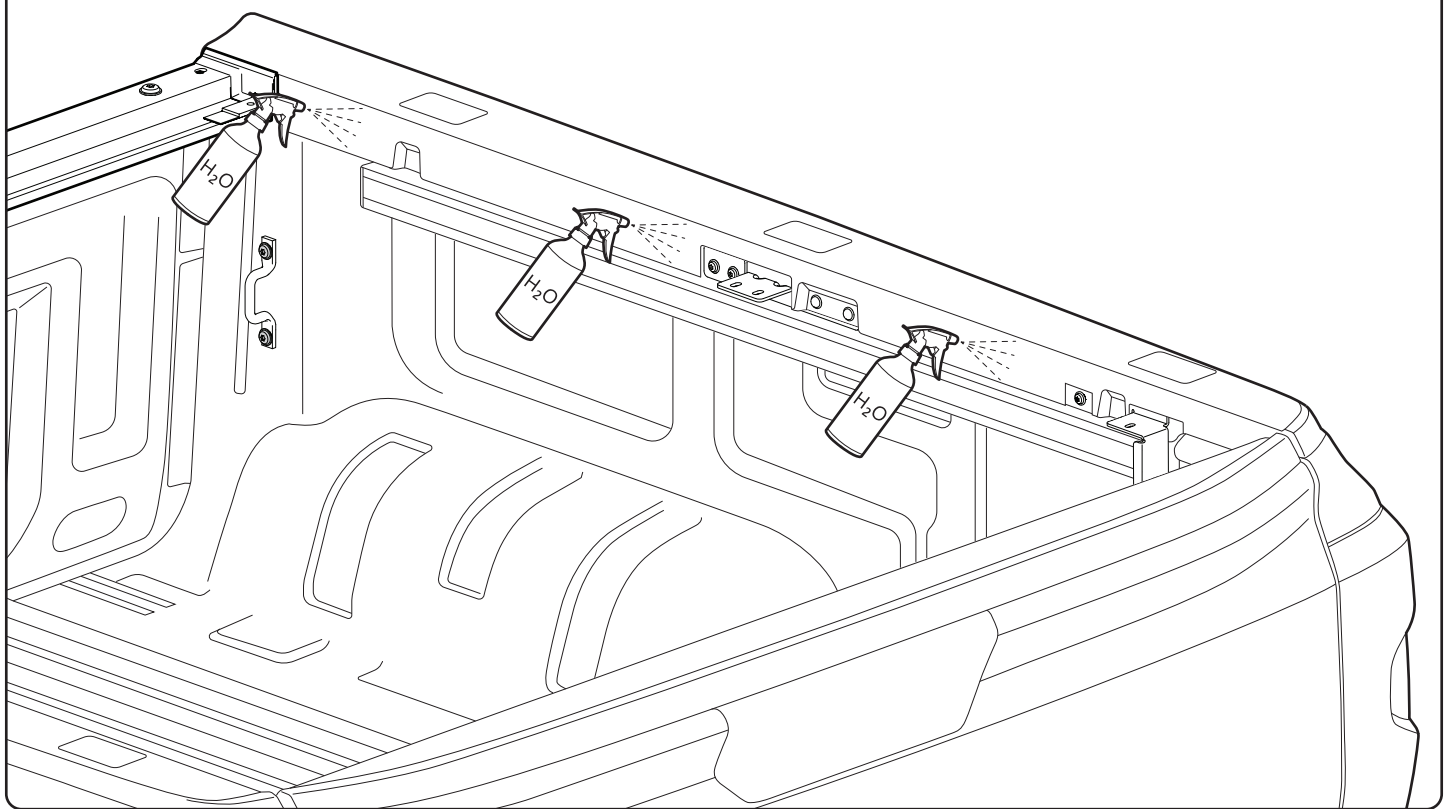
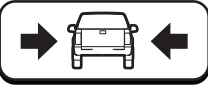


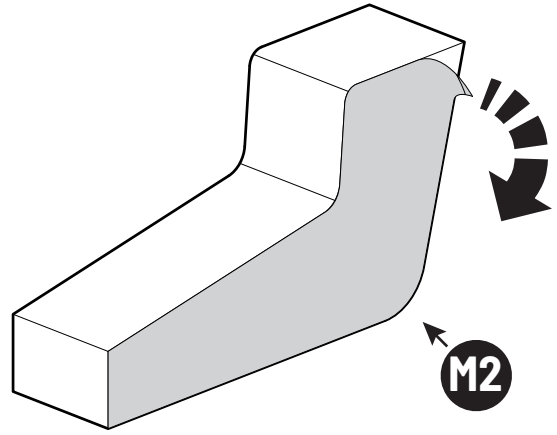
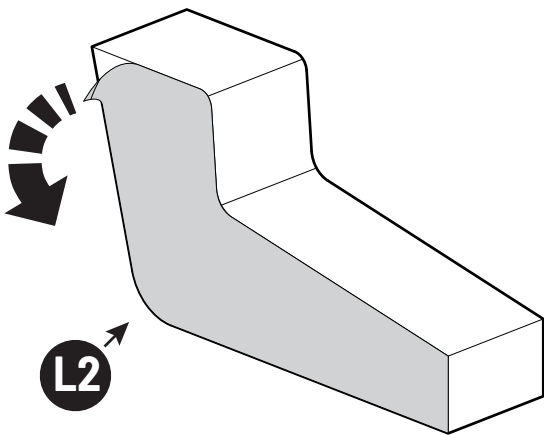
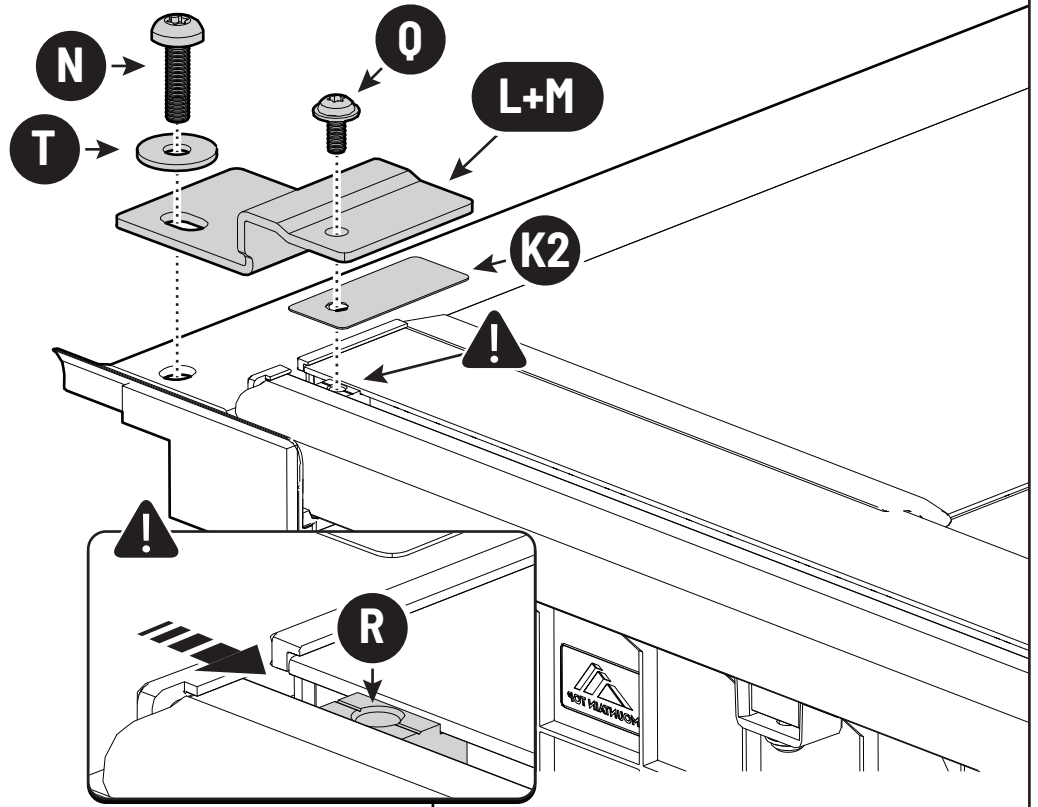
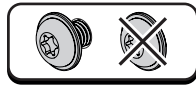
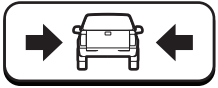


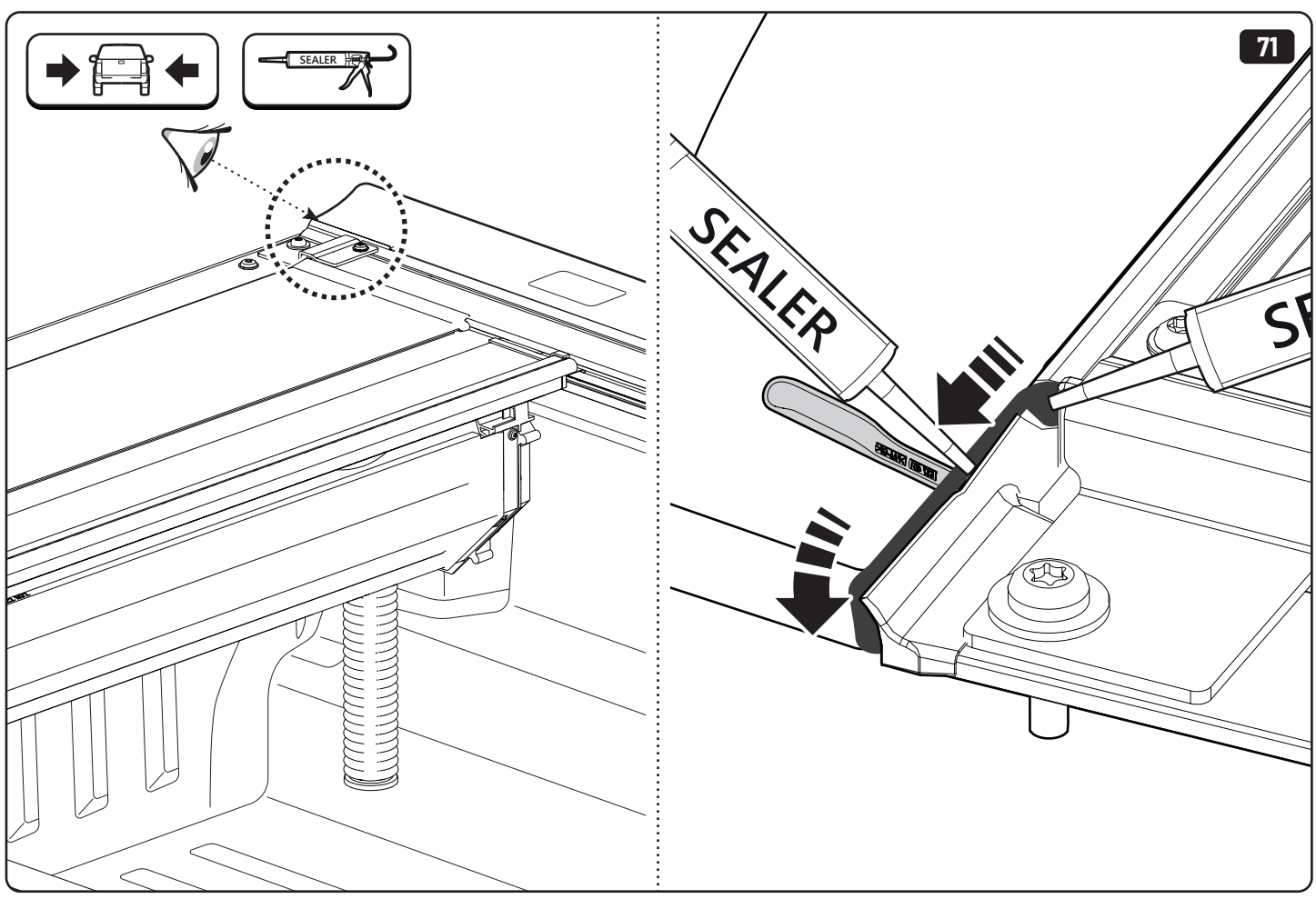
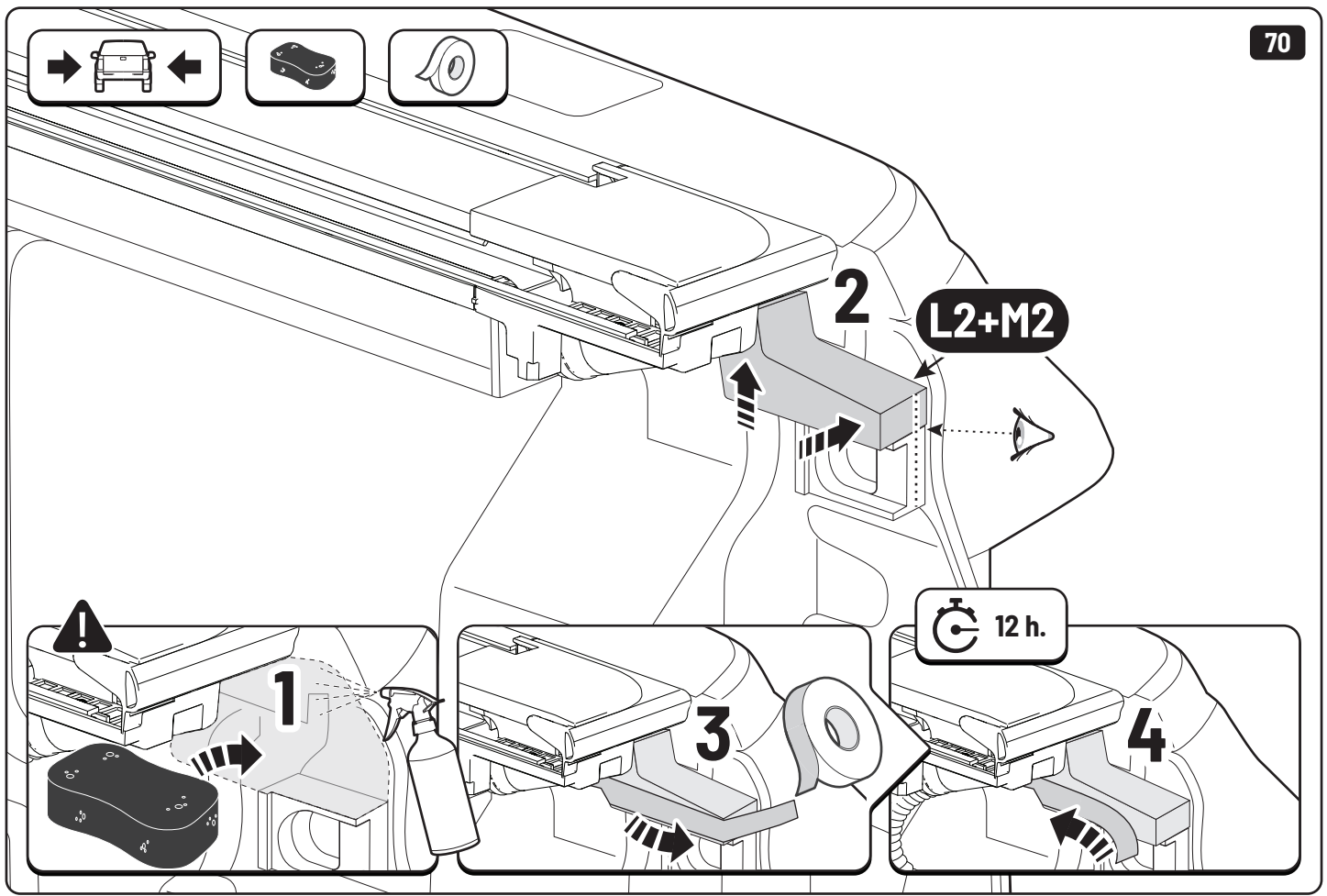
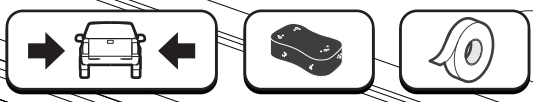




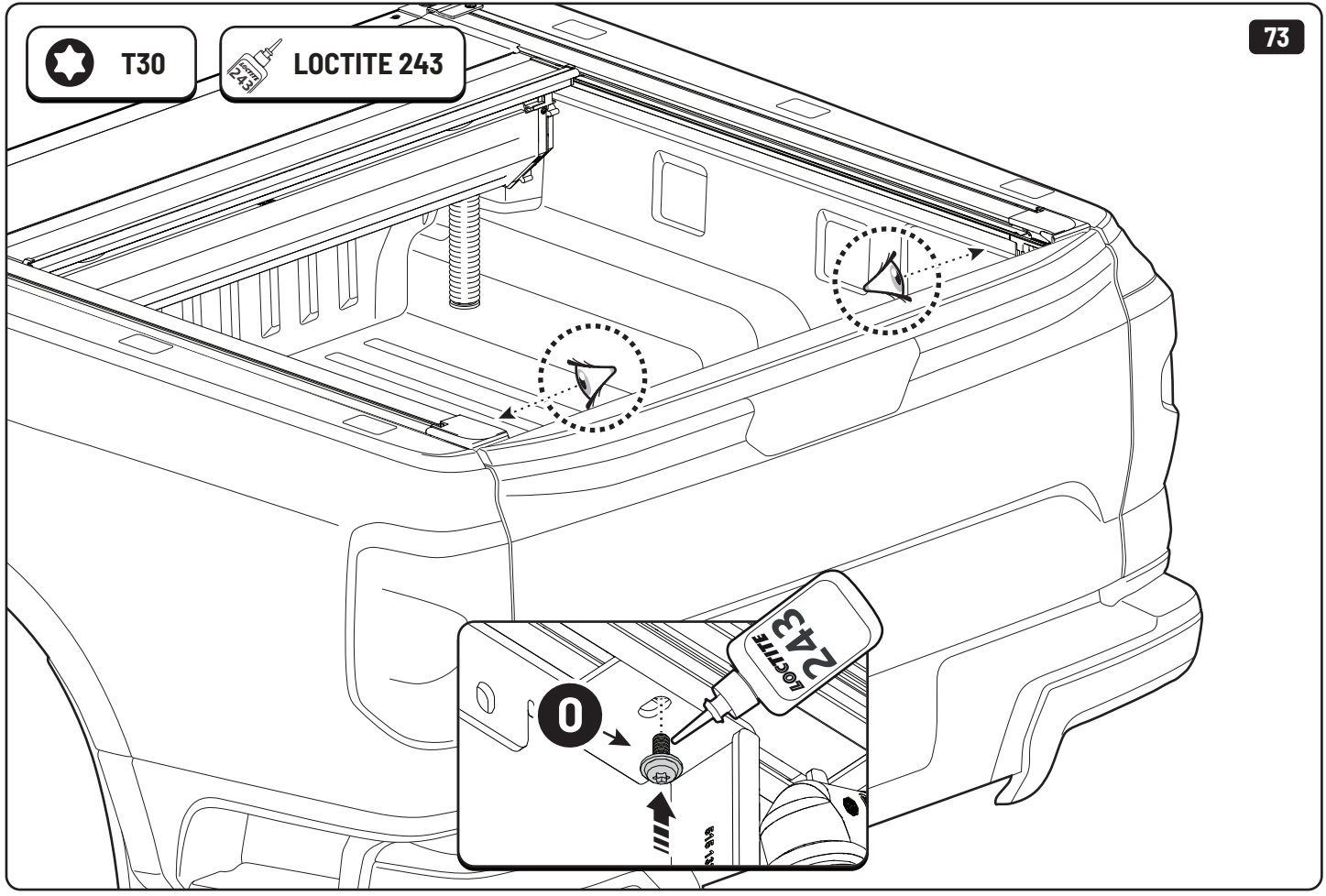
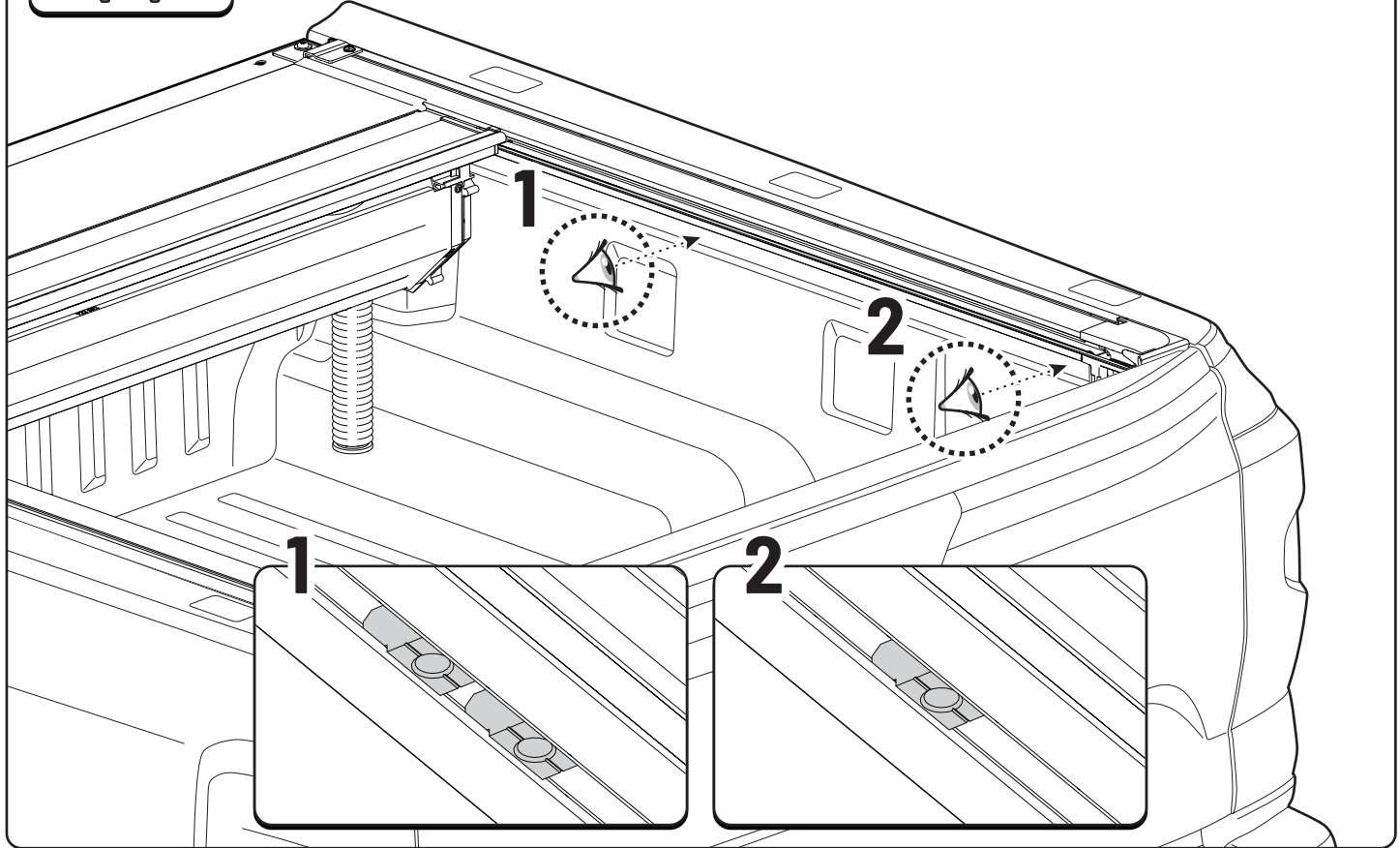
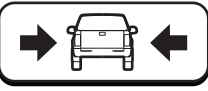




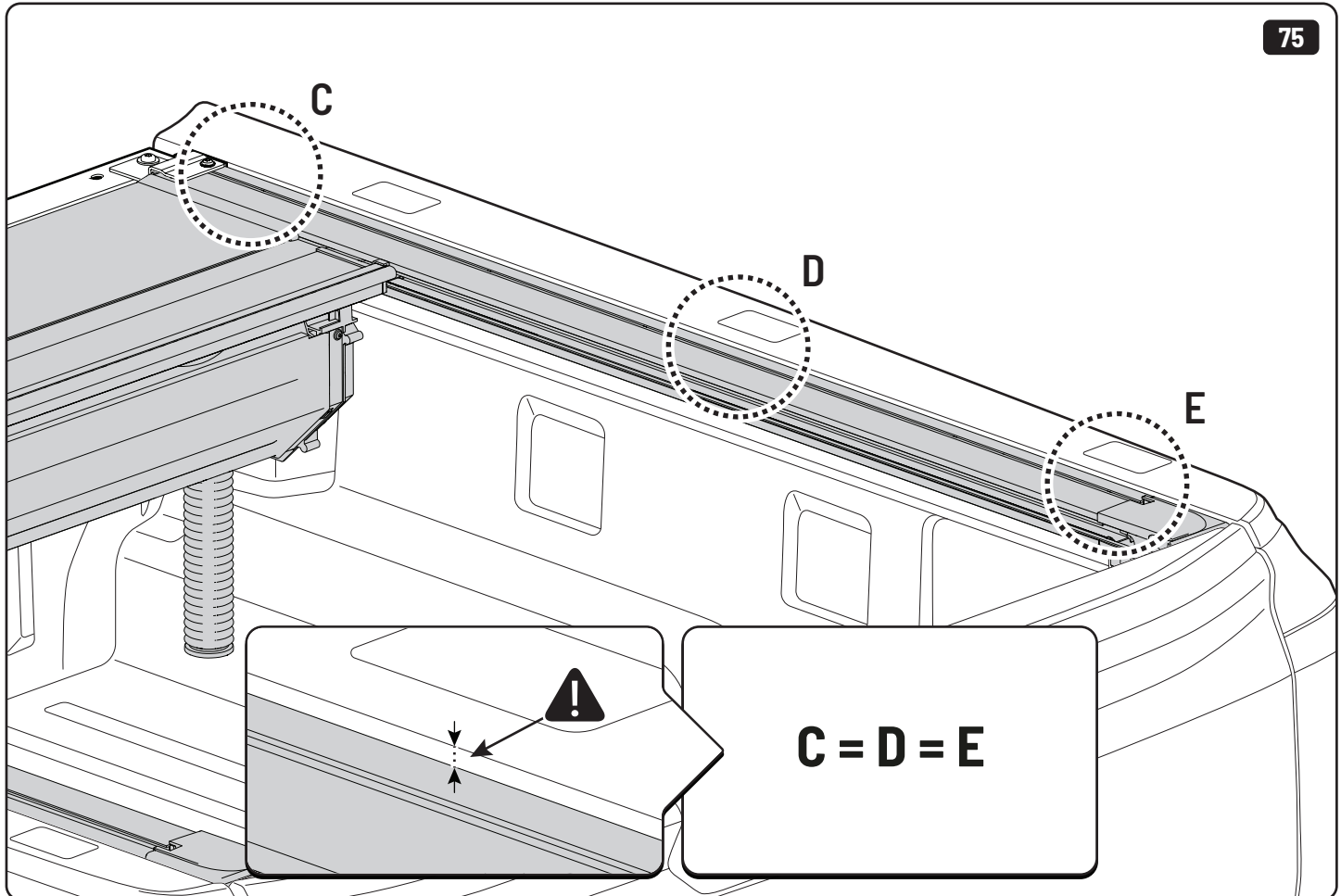
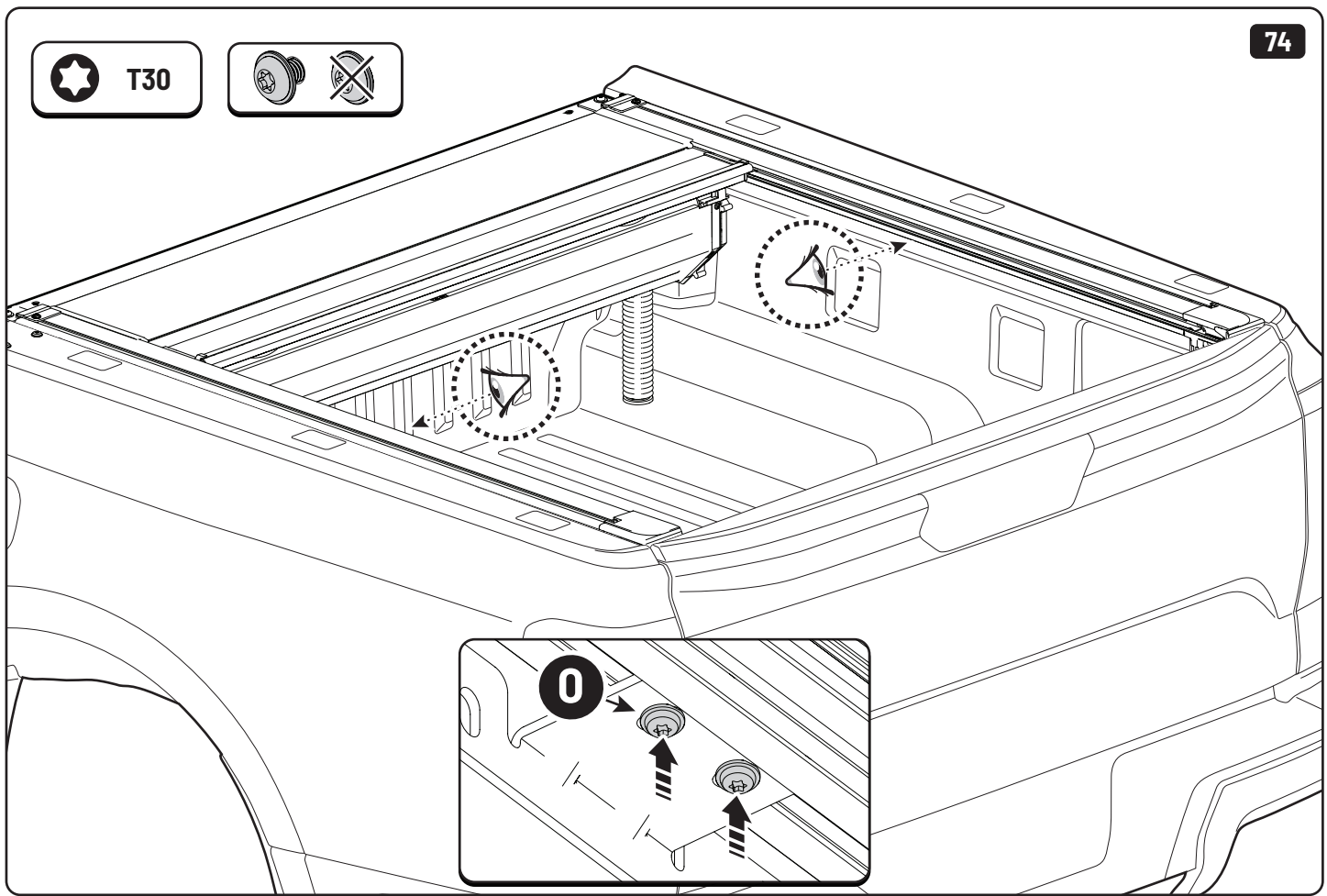




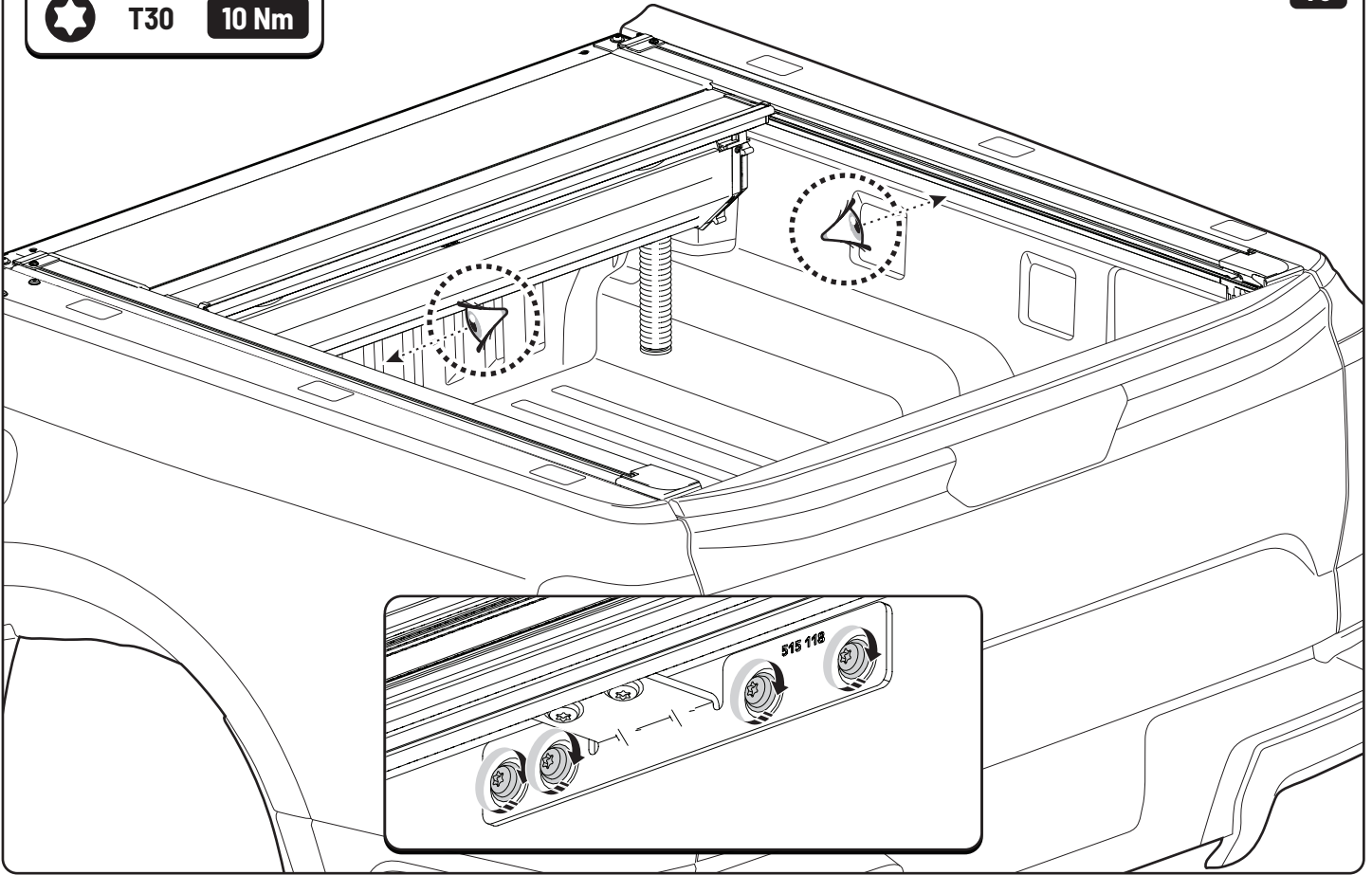




T30

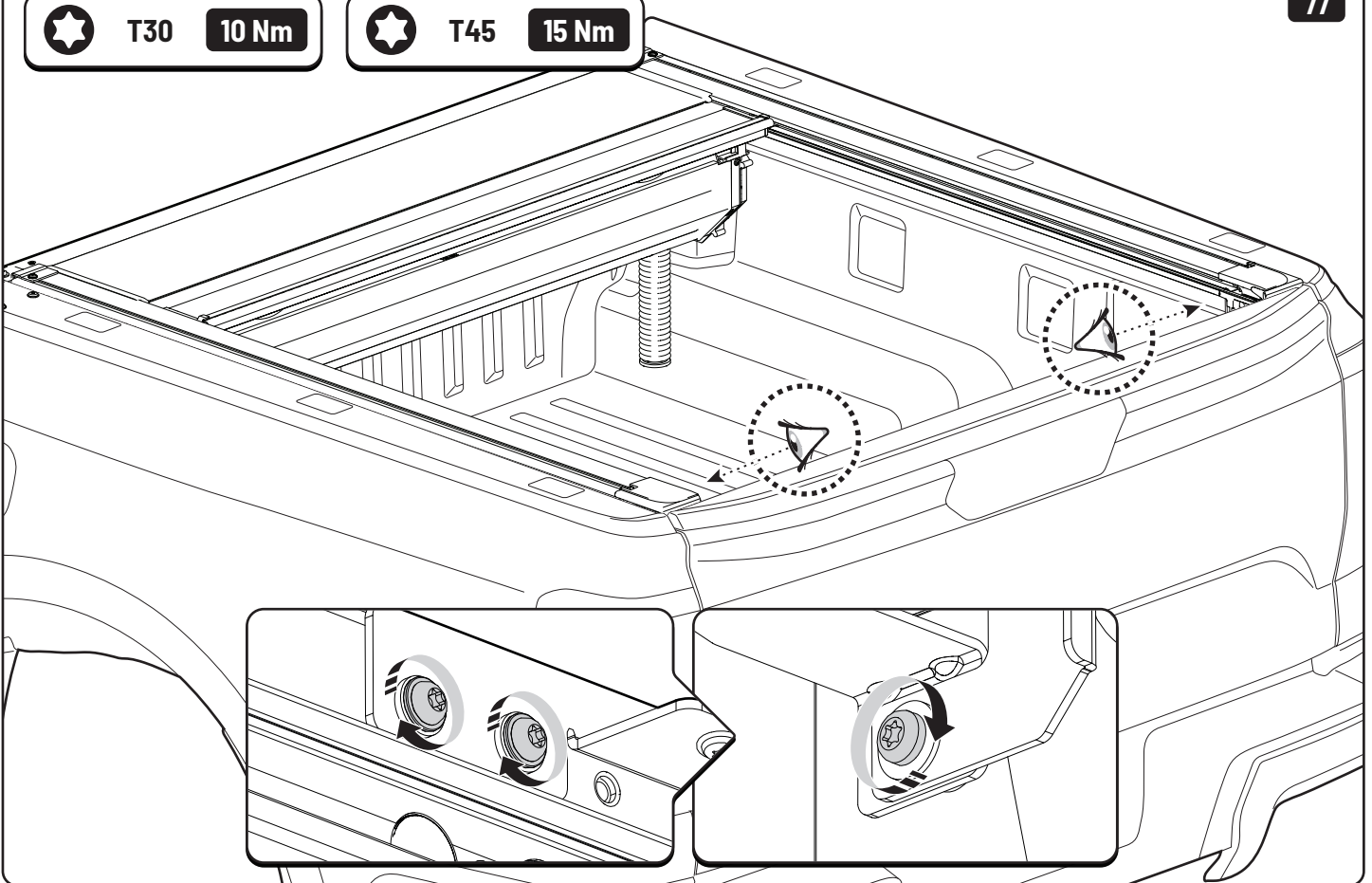


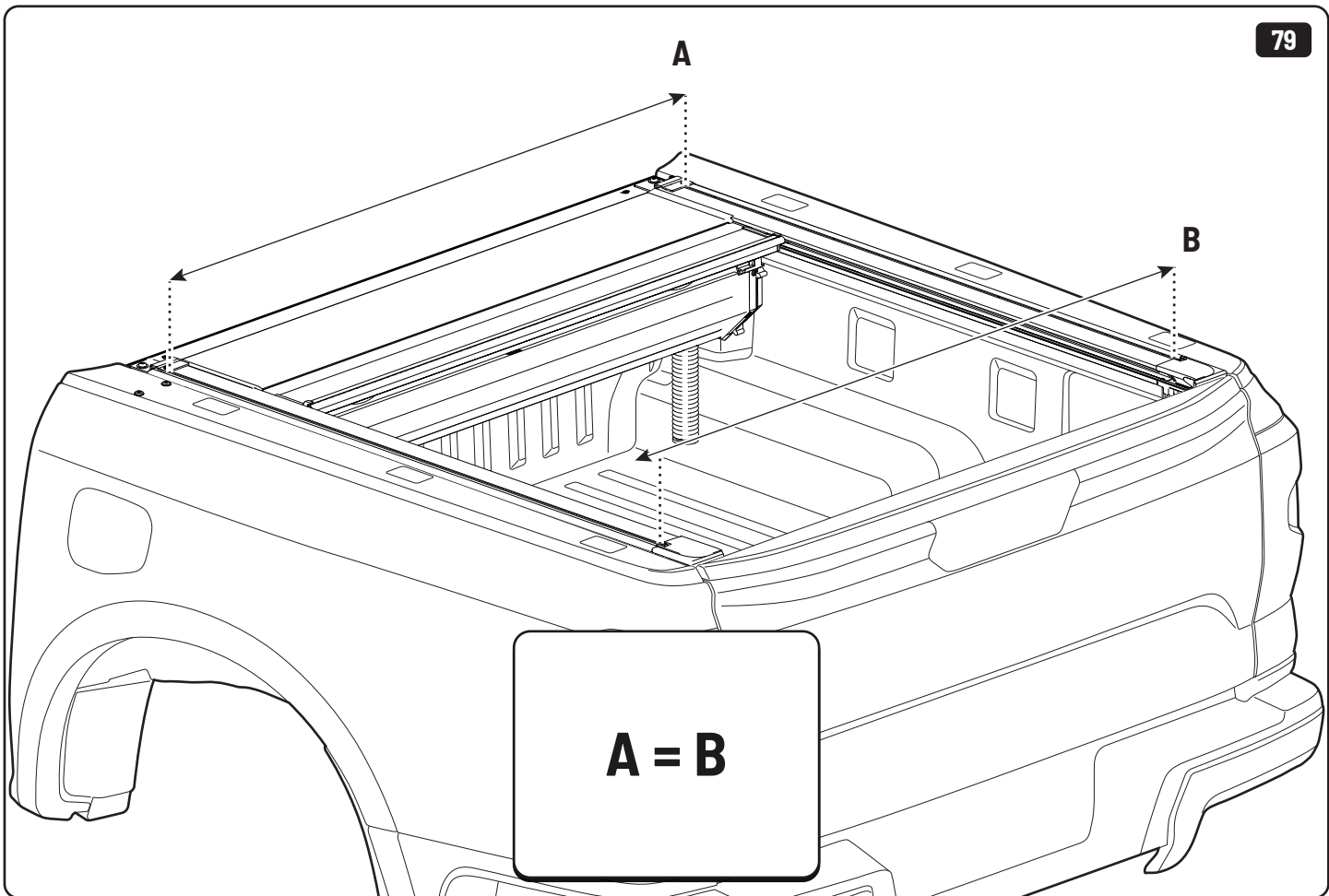
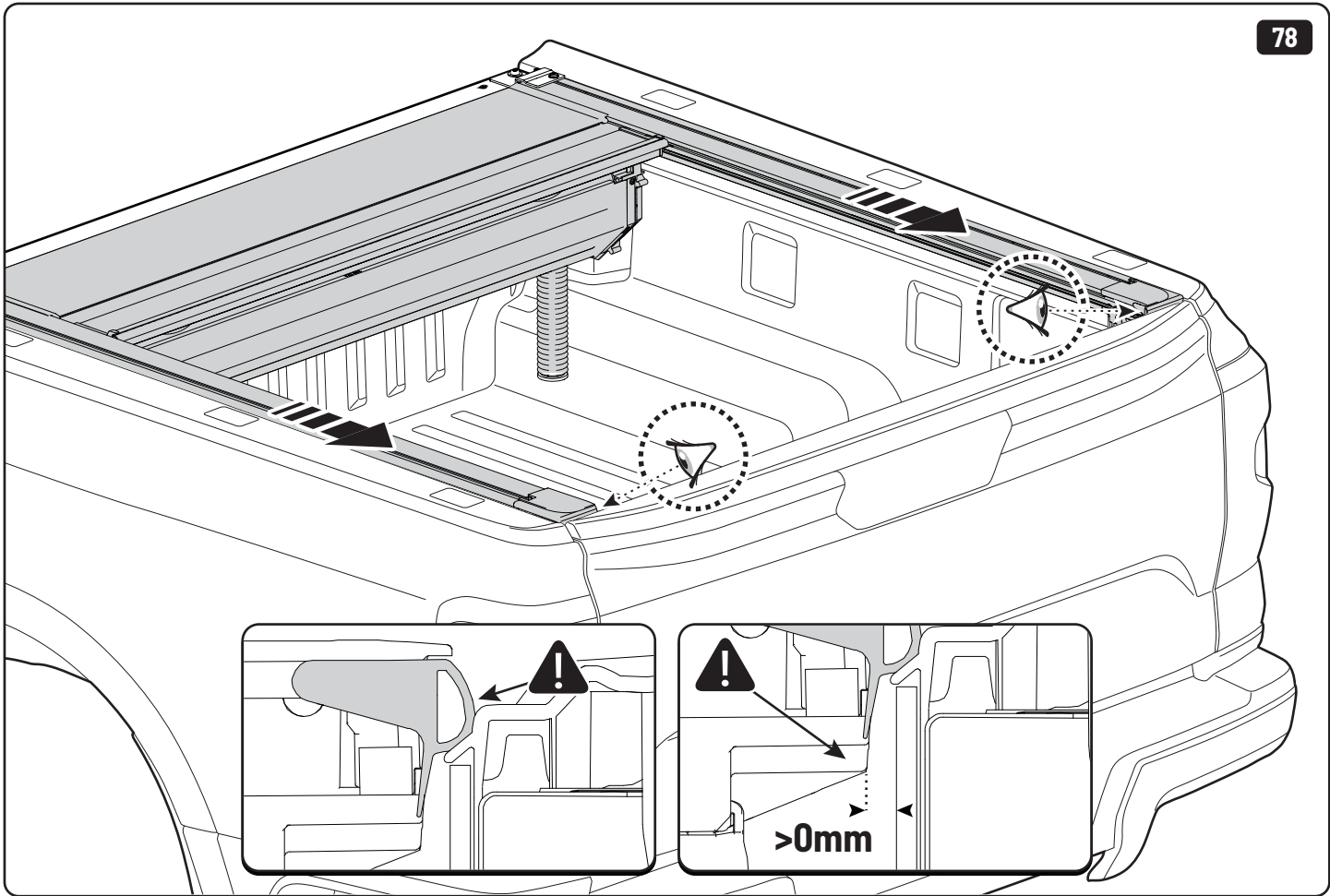
 T30 10 Nm

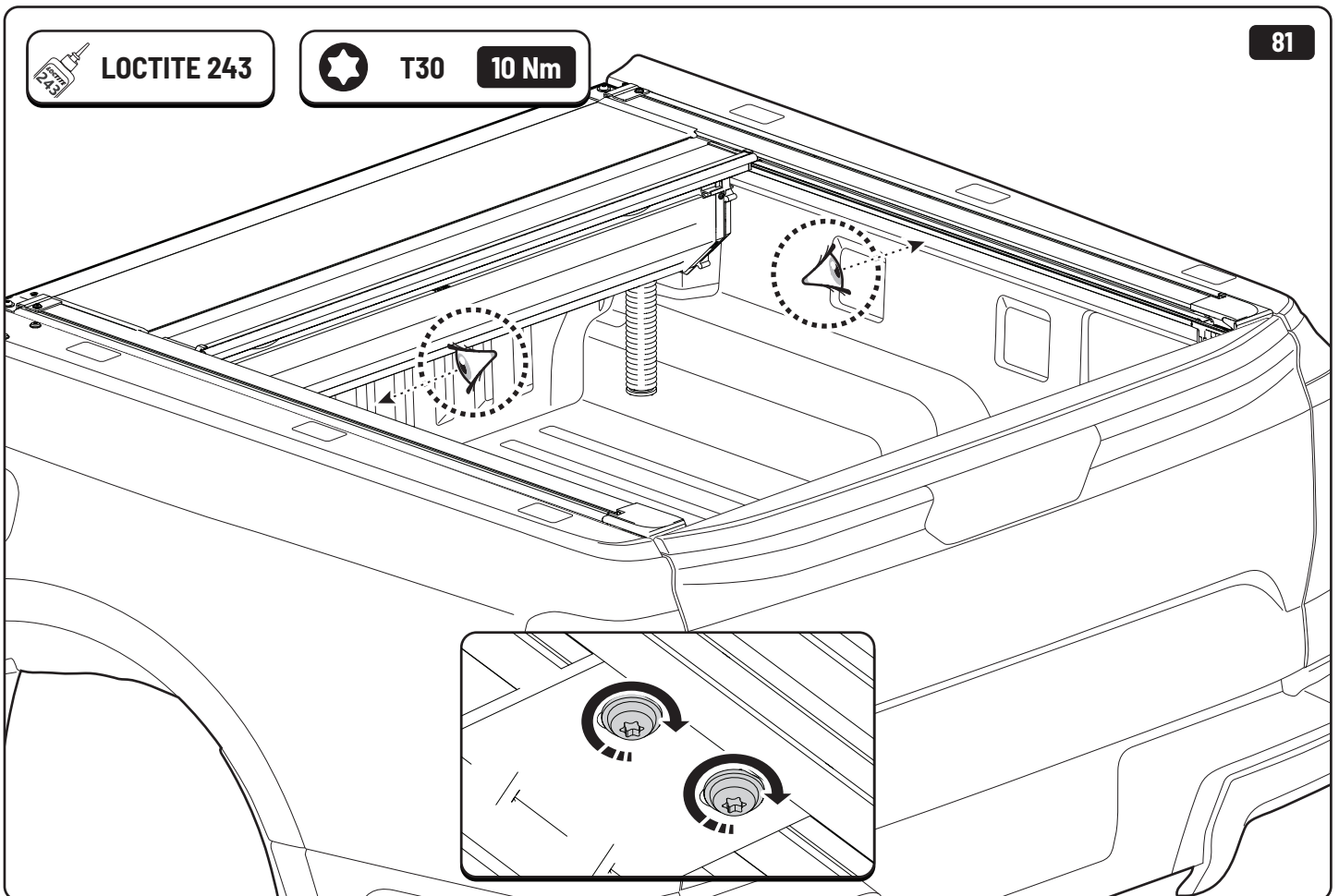
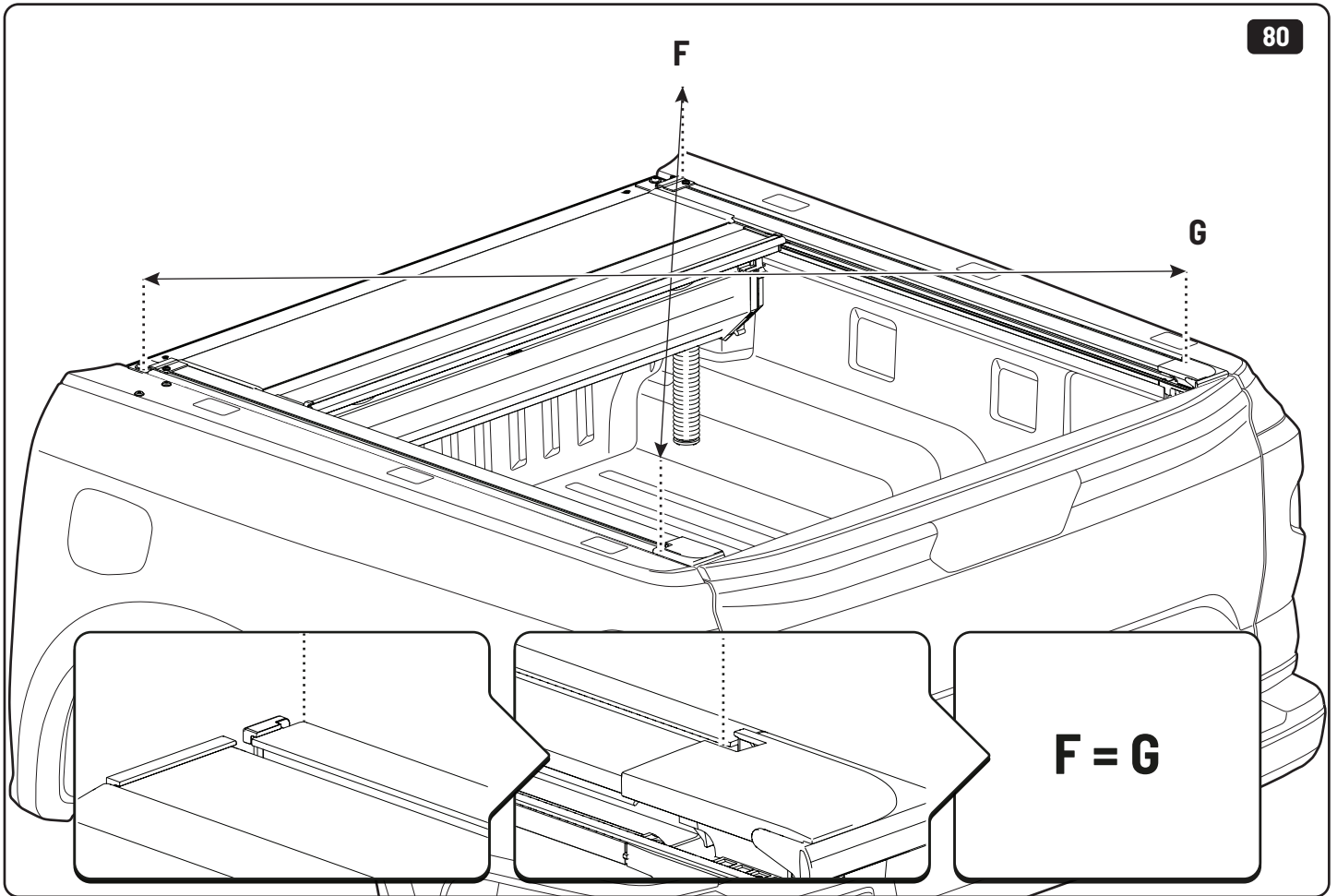


 T30 10 Nm

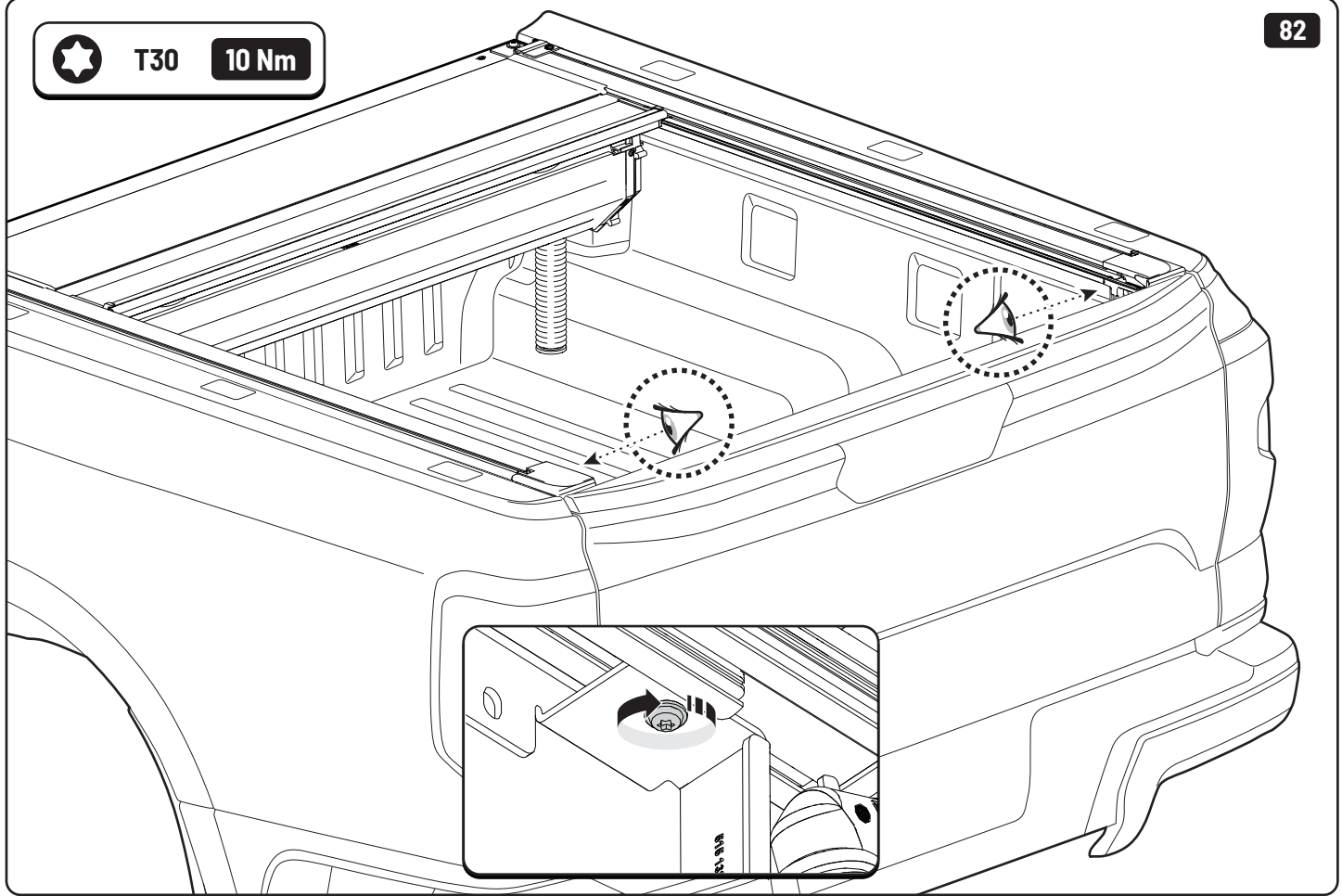
 T45 15 Nm





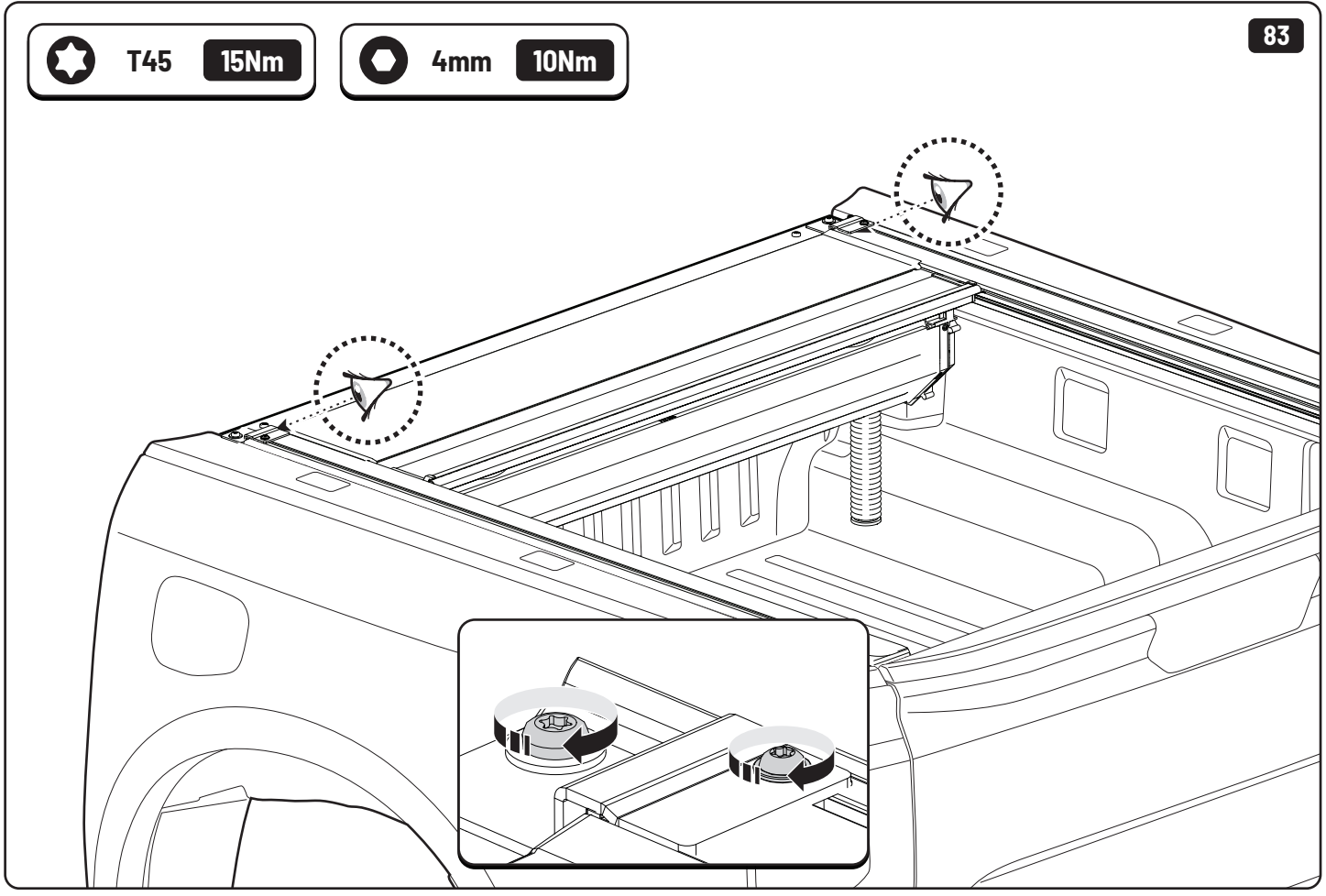


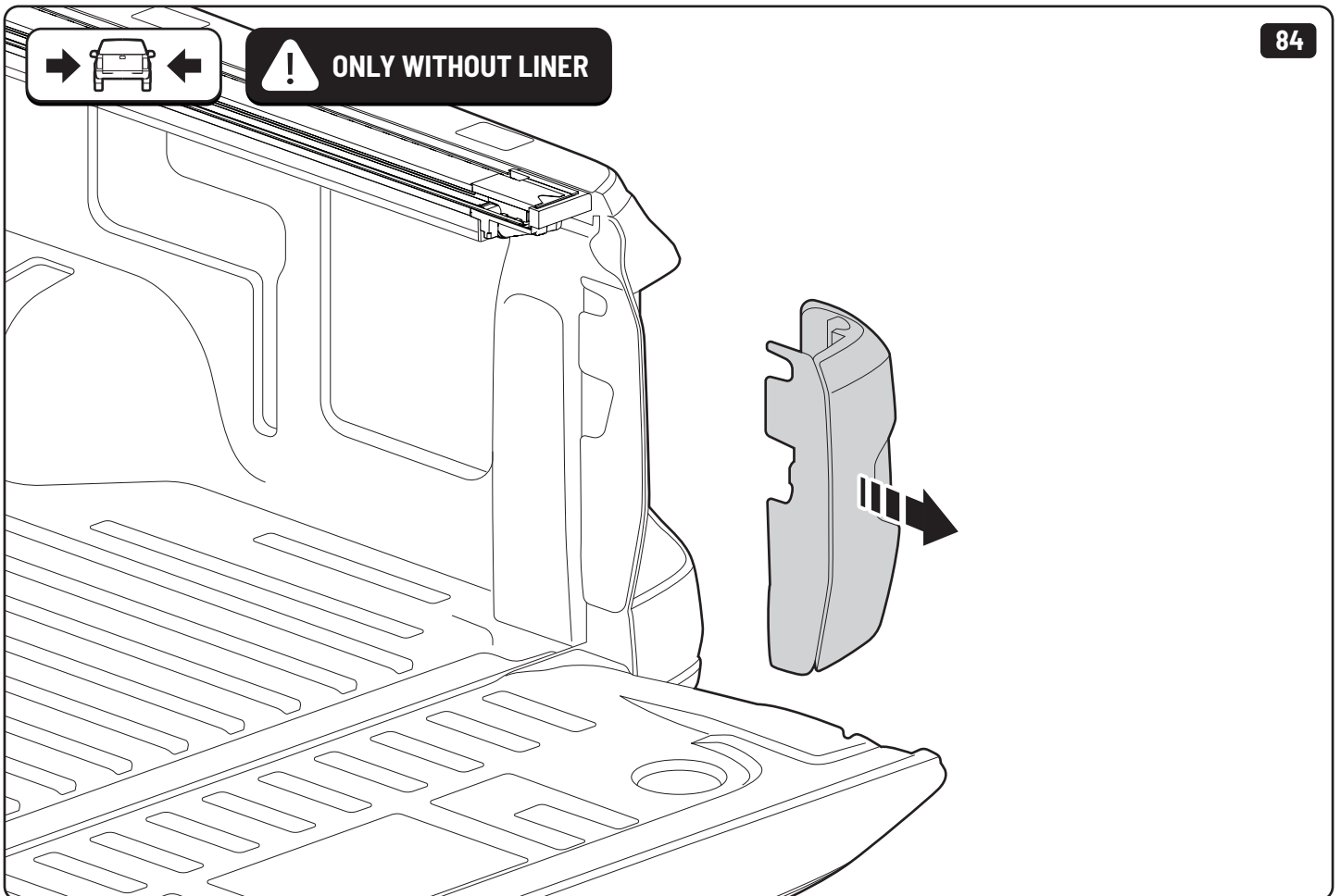
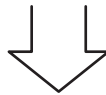
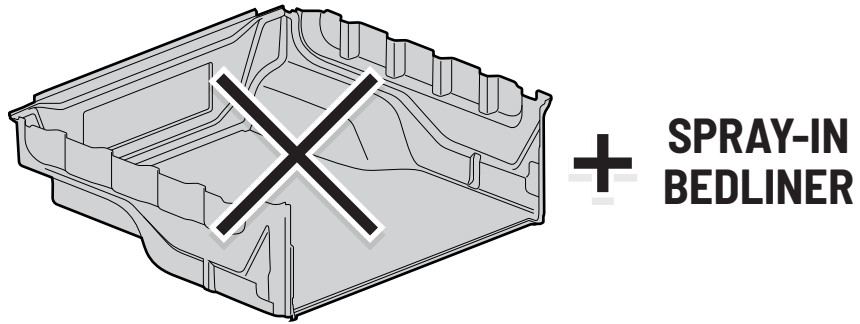
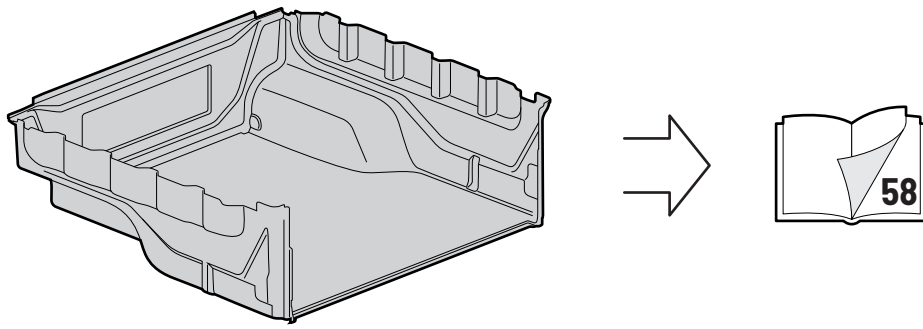
 T30 10 Nm



 T45 15Nm

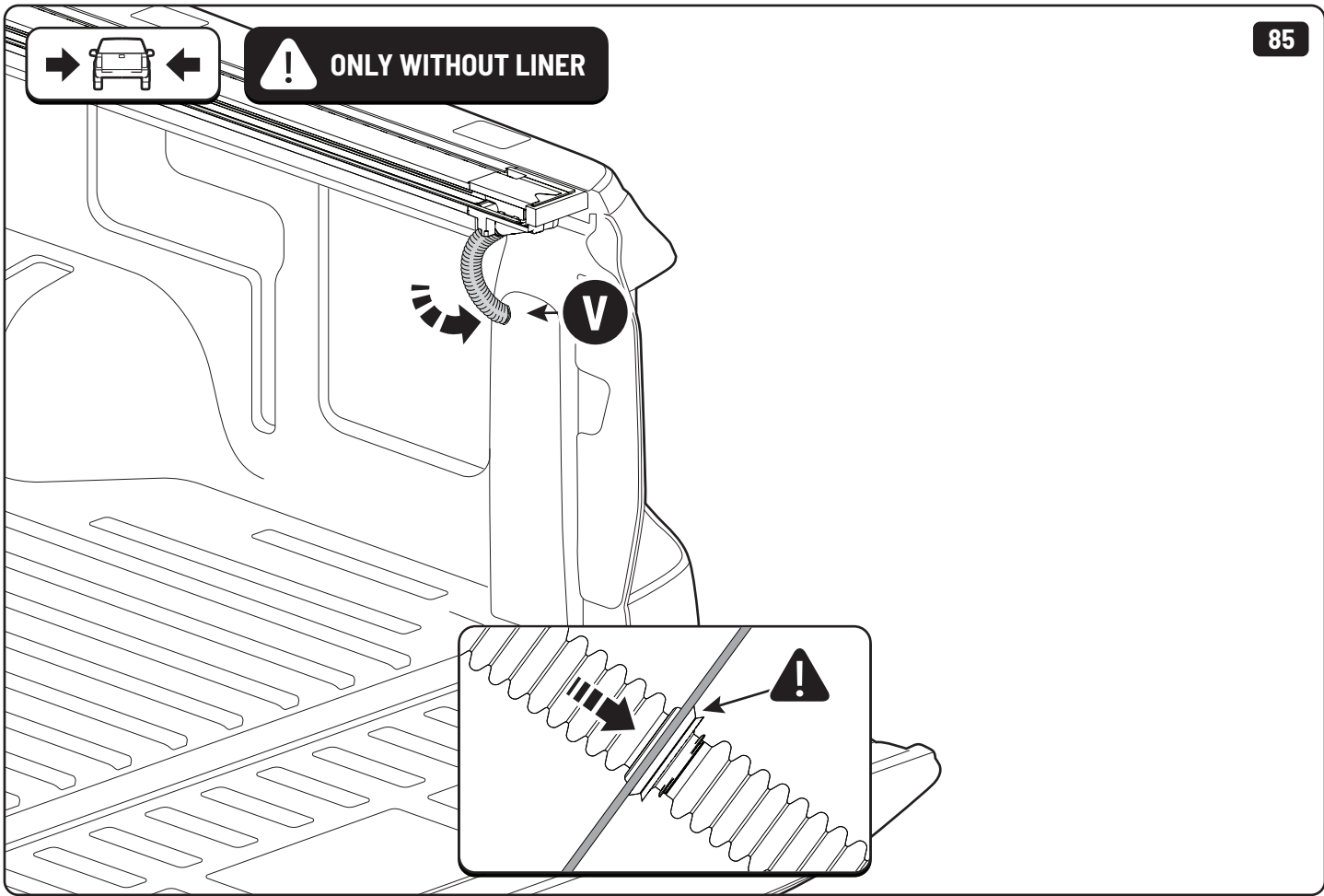
 4mm 10Nm



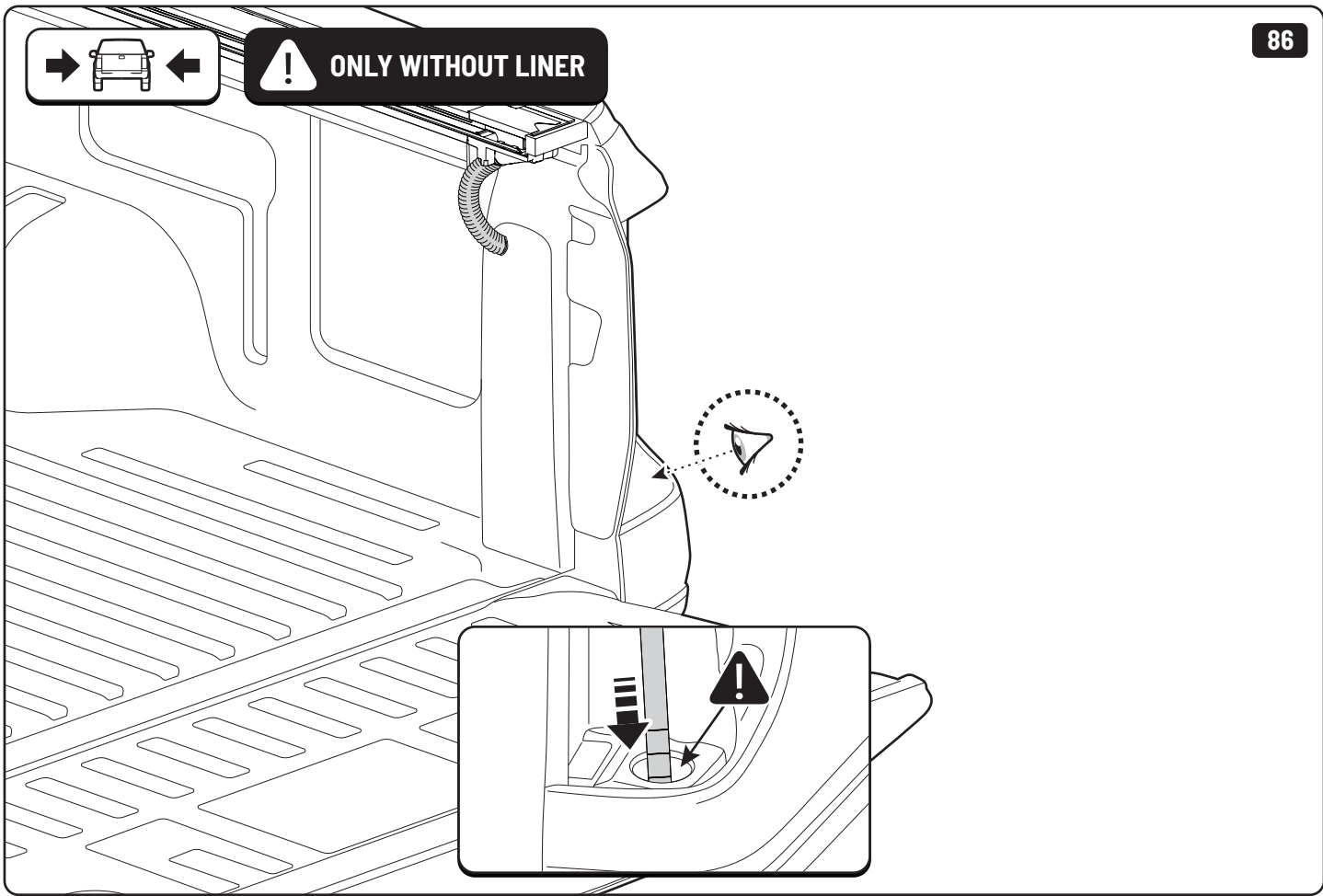




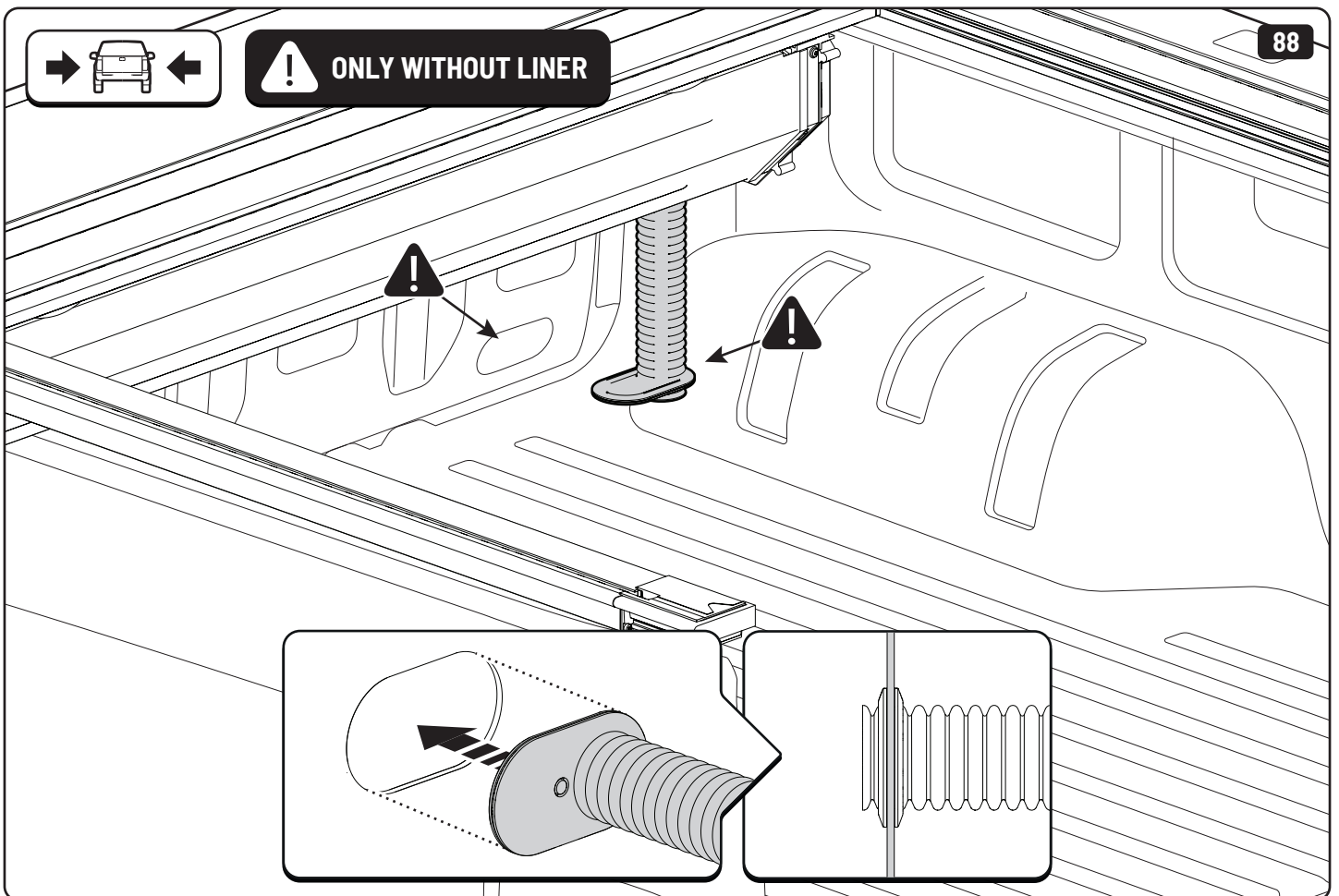
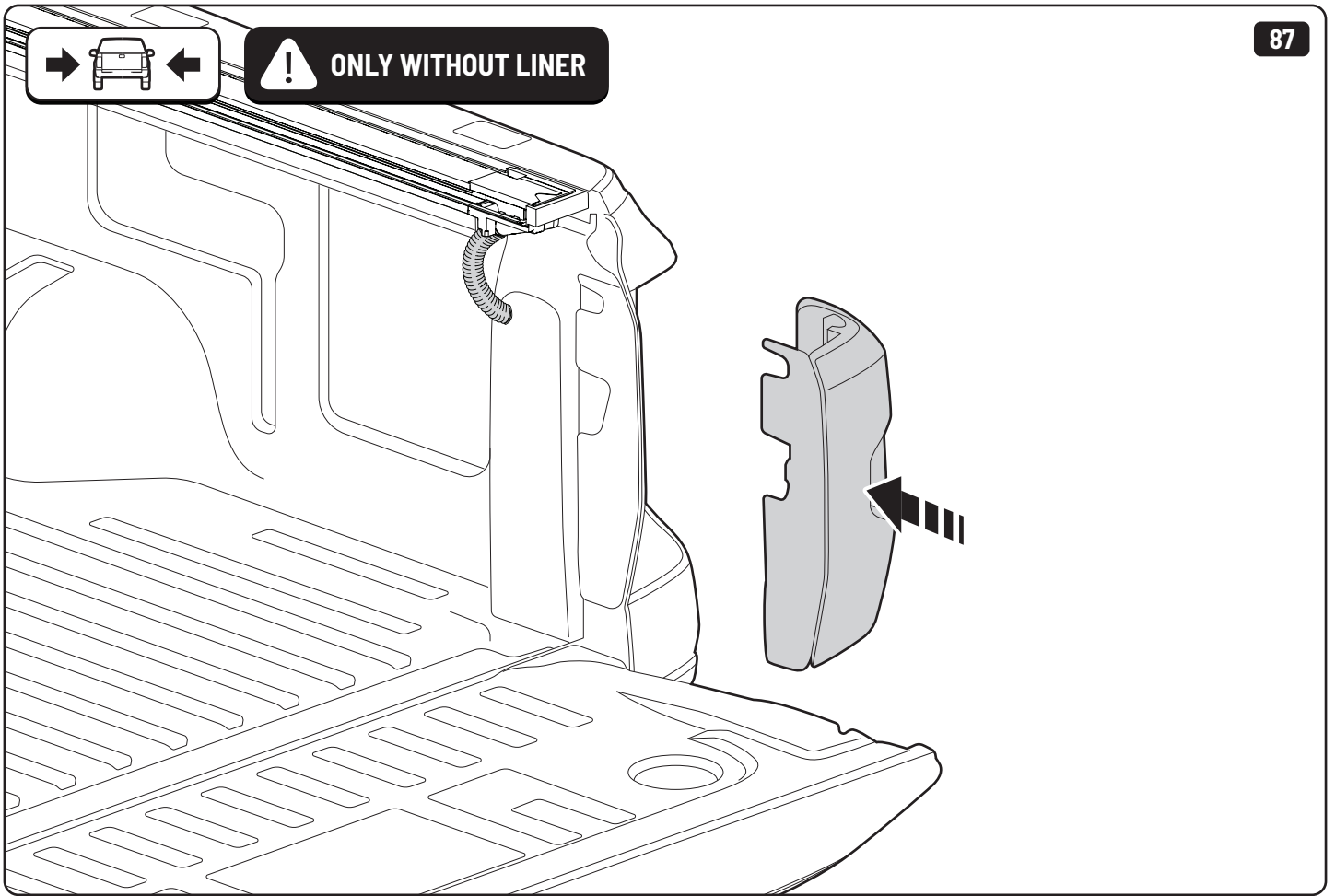
**!** ONLY WITHOUT LINER

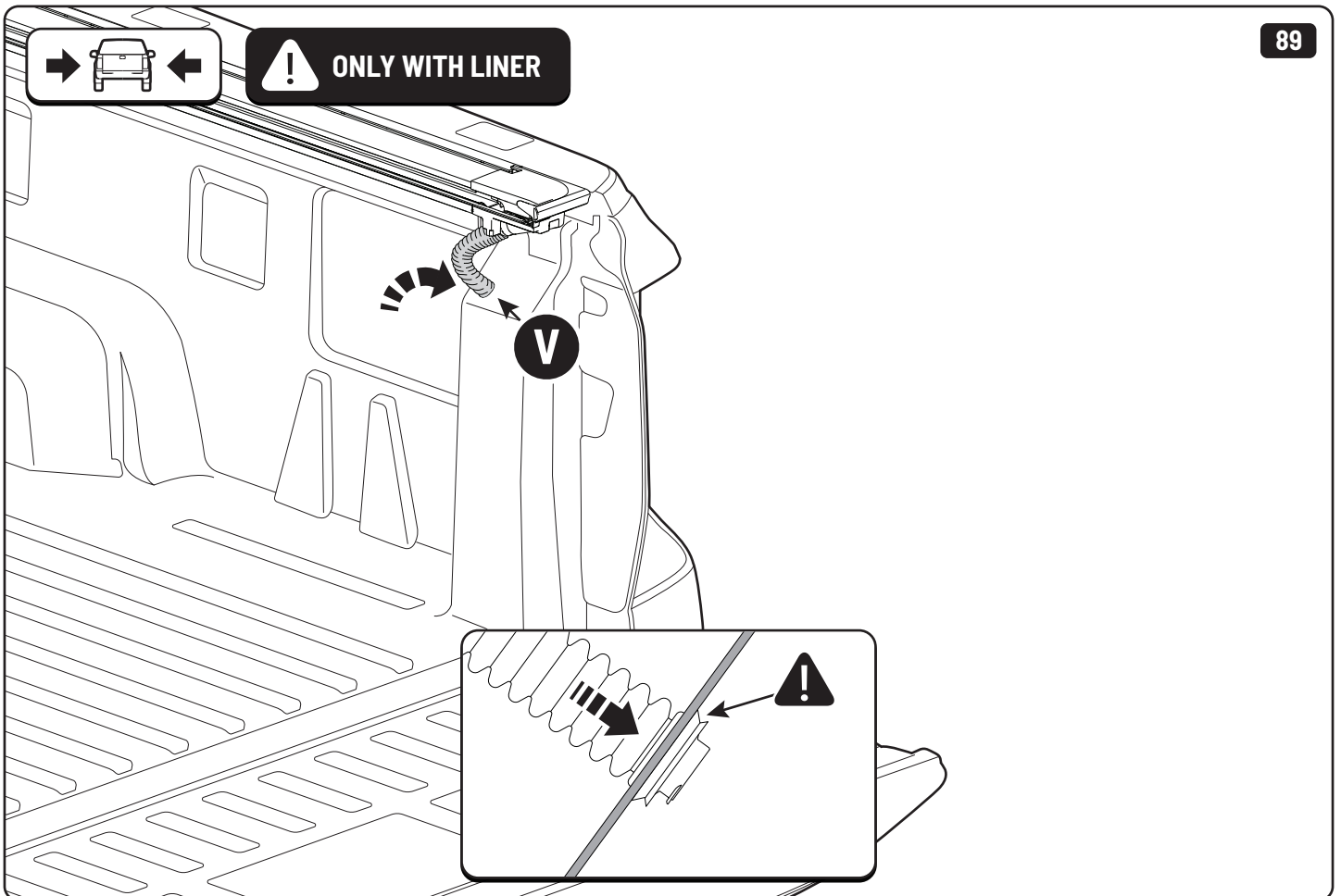
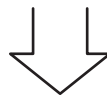
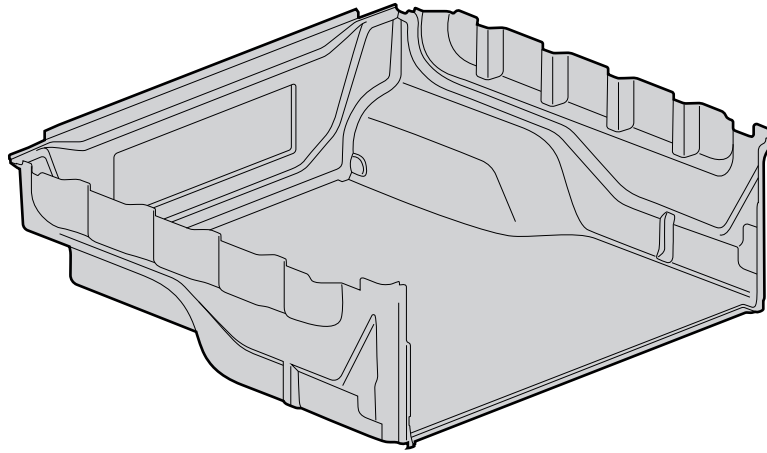


**!** ONLY WITHOUT LINER



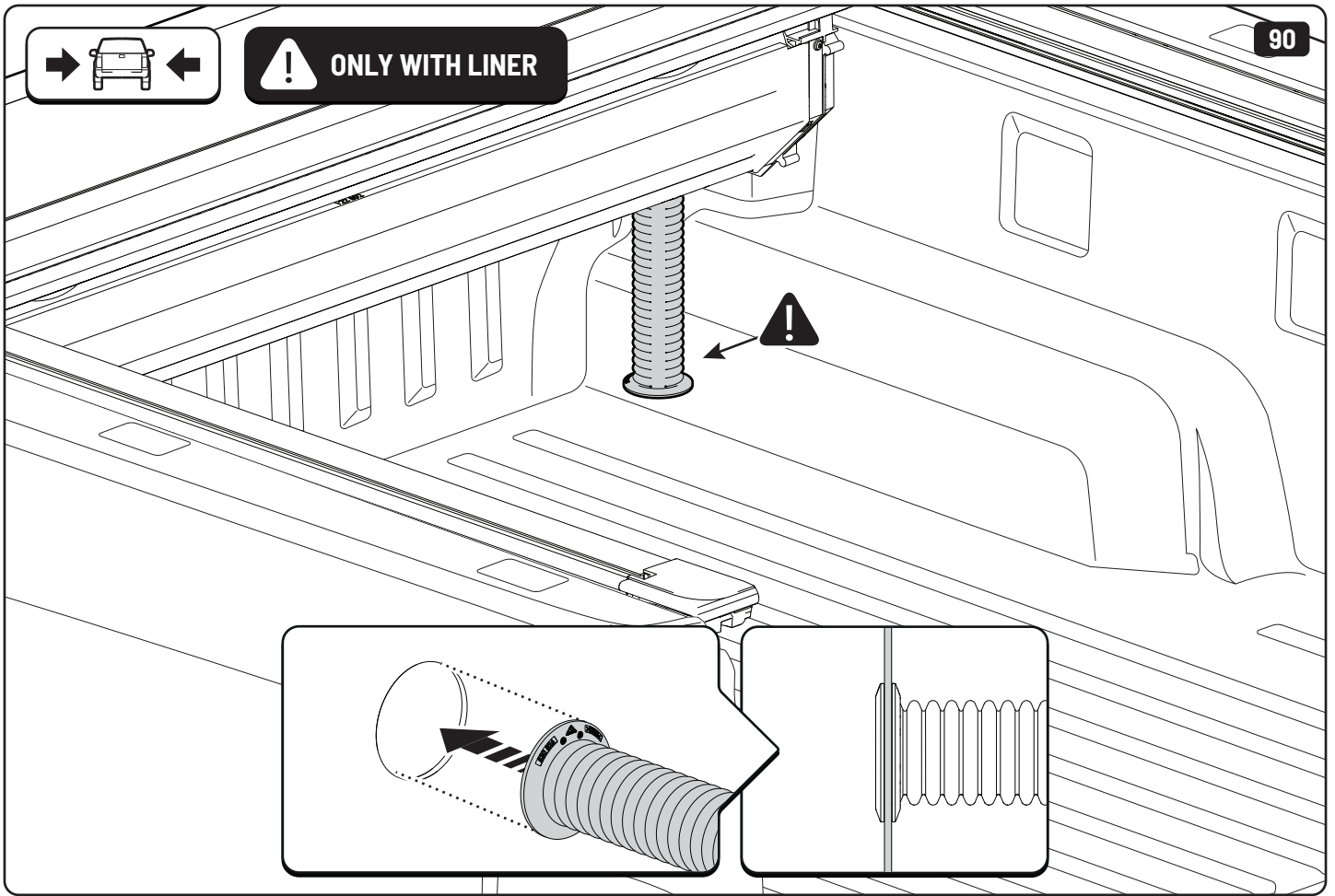




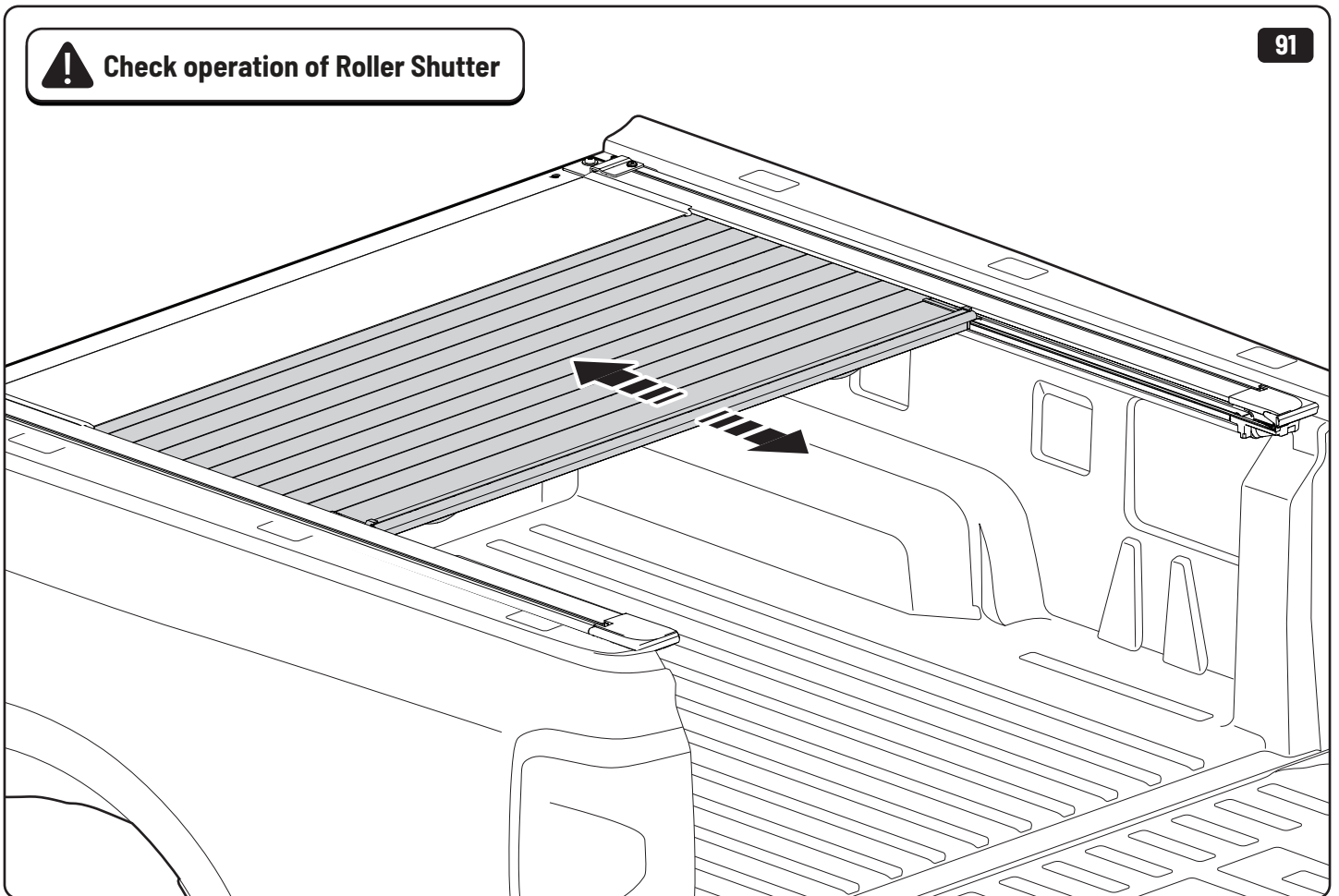


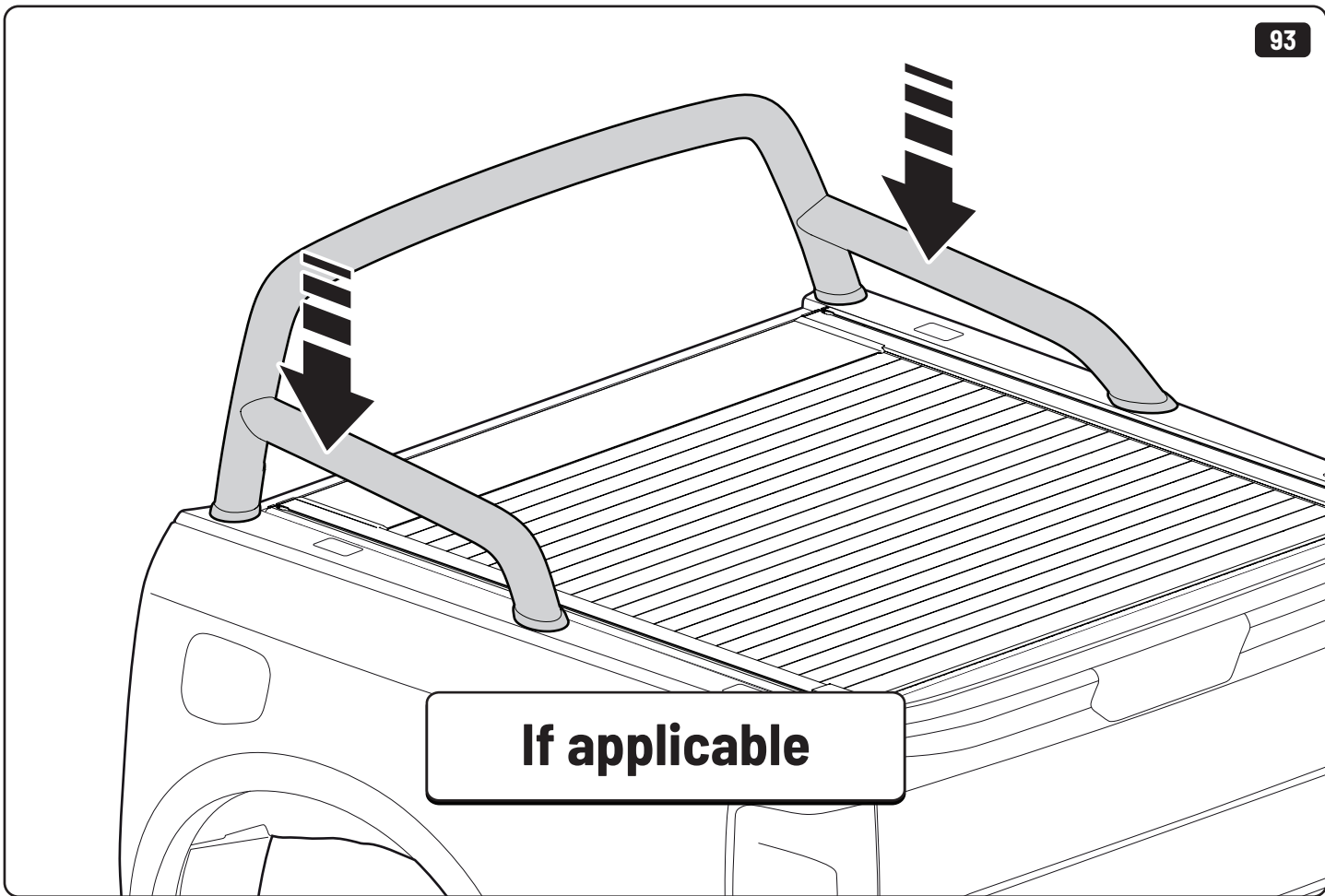
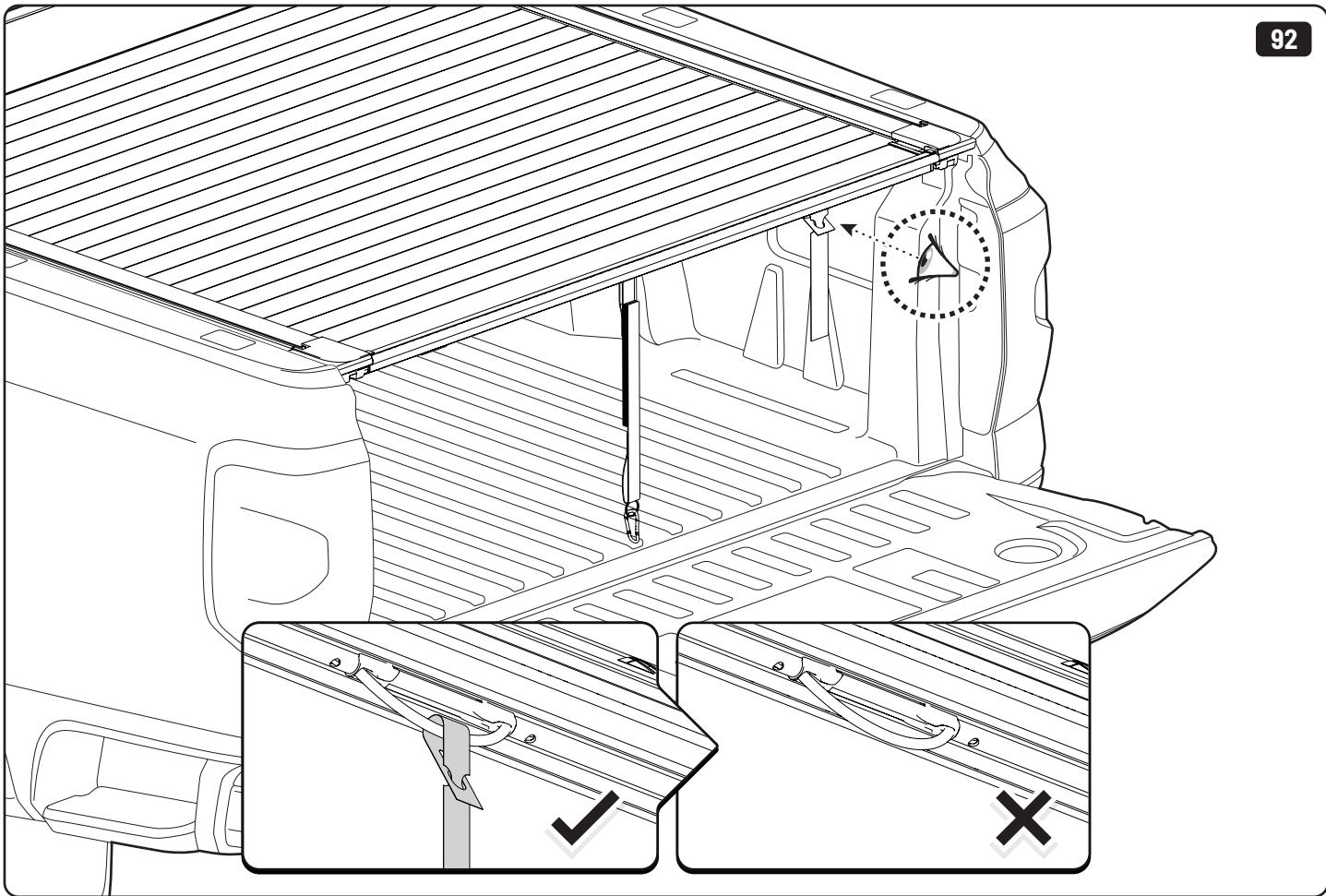


**! ONLY WITH LINER**



**! Check operation of Roller Shutter**







Steps	Page	Done by
Mounting gliding rail in canister	14	
Holes for drain	28-30 + 33-34	
Width + Cross measurement	52-53	
Tightening bracket screws	51-54	
Mounting drain	56-58	
Check operation of Roller Shutter	59	







Customer Service +45 4810 2950 (08:00 - 16:00 CET)  
Support info@mountaintop.dk  
Website www.mountaintop.dk  
Address Pedersholmparken 10, 3600 Frederikssund, Denmark

Part number (s)	Model / Year	Cab type (s)	Installation time	Weight
EV0m F010 HB01	Ford Ranger/ 2022 ->	Double Cab	1 hour (s)	30 kg
EV0m F011 HB01	Ford Ranger/ 2022 ->	Rap Cab	1 hour (s)	34 kg

<b>GB</b> Installation manual	<b>S</b> Monteringsanvisning	<b>D</b> Einbauanleitung
<b>SF</b> Asennusohje	<b>E</b> Instrucciones de montaje	<b>CZ</b> Návod k instalaci
<b>F</b> Notice de montage	<b>H</b> Szerelési utasítás	<b>I</b> Istruzioni di montaggio
<b>PL</b> Instrukcja montażu	<b>P</b> Instruções de instalação	<b>GR</b> Οδηγίες Εγκατάστασης
<b>NL</b> Installatie-instructies	<b>RUS</b> Инструкция по установке	<b>DK</b> Monteringsvejledning
<b>TR</b> Montaj Talimatı	<b>N</b> Monteringsveiledning	<b>RO</b> Instructiuni de instalare