

INSTALLATION MANUAL

PRODUCT: REAR BUMPER

MODEL: VOLKSWAGEN AMAROK (2010-2016)

VOLKSWAGEN AMAROK (2016-on)

PART NO: 2D.5806.1-NL



CAUTION!

To reduce the risk of serious injury or damage, please read and understand all instructions and procedures before attempting to install or use this product.

Safety glasses must be worn at all times during installation or maintenance of this product.

Ensure all mounting bolts are tensioned after 1000 kms and periodically there after.

NOTICE

Whilst the bumper adds additional protection to your vehicle, precautionary measures still need to be taken to avoid damage.

Always drive to the conditions and your surroundings.

REAR BUMPER

Part Number: 2D.5806.1-NL
Suited to vehicle: Volkswagen Amarok
2010-2016 (2.0 TDI)
2016- (2.0TDI; 3.0TDI)
Material: Aluminum / steel
Dimensions: 1860x600x300
Weight: 31 kg



SAFETY NOTICE

- * The RIVAL Bumper is designed to compliment the use and design of the specified vehicle under conditions specified by the car manufacturer.
- * While driving the vehicle at any speed, collision with any other vehicle, animal or object must always be avoided.
- * Following any collision with any other vehicle, animal or object, the RIVAL Bumper and the vehicle must be inspected by a specialized or suitably qualified vehicle repairer for possible damage to the components and assemblies in order to confirm suitability for further use of the vehicle.
- * It is strongly recommended that you do not operate a vehicle with a damaged bumper or its components. In the case of damage, please contact the nearest RIVAL dealer.
- * The operation of a vehicle where the bumper is not properly attached and fastened to the vehicle, or where the bumper has been damaged, is extremely dangerous and must be avoided at all cost.

INSTALLATION NOTICE

- * The RIVAL Bumper must be mounted and affixed to the vehicle according to this installation manual.
- * Personal safety during the installation process must be adhered to at all times and the use of personal safety equipment is highly recommended.

REQUIRED TOOLS

- * Basic tool kit
- * Torque wrench
- * Screw driver

TORQUE SETTING

M6 - 9 Nm
M10 - 44 Nm
M12 - 77 Nm

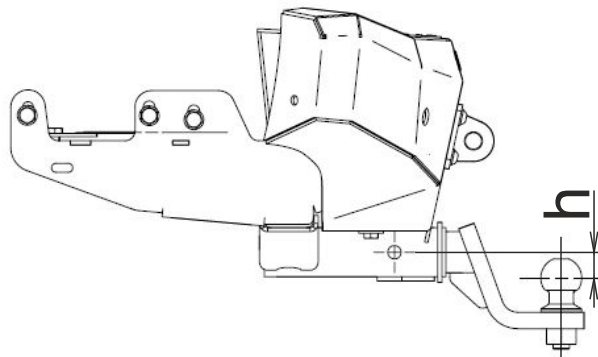
*TOWBAR INSTALLATION

2" (50,8 mm) towbar can be installed with RIVAL aluminum bumper.

Max vertical static load - no more than 100 kg

Max full load of trailer:

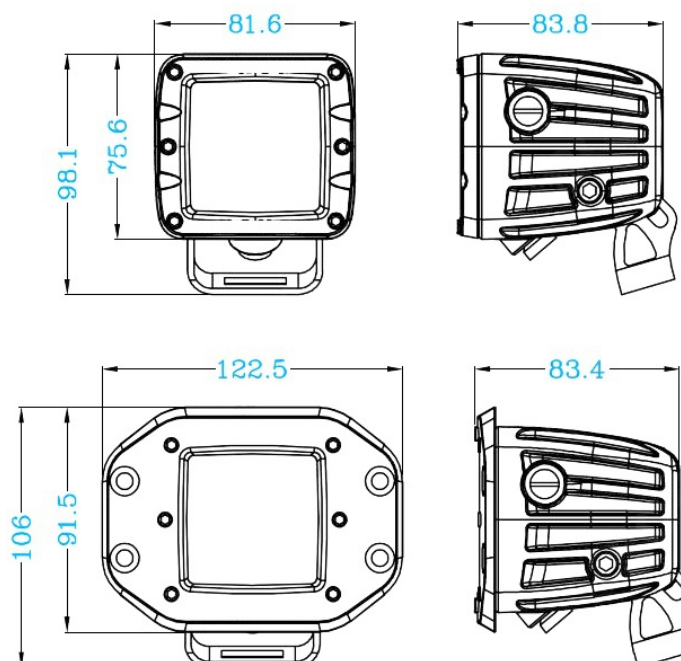
Height, mm	Weight of trailer without brake mechanism, kg	Weight of trailer with brake mechanism, kg
0-35	1000	2500
36-80	750	1700



ATTENTION:

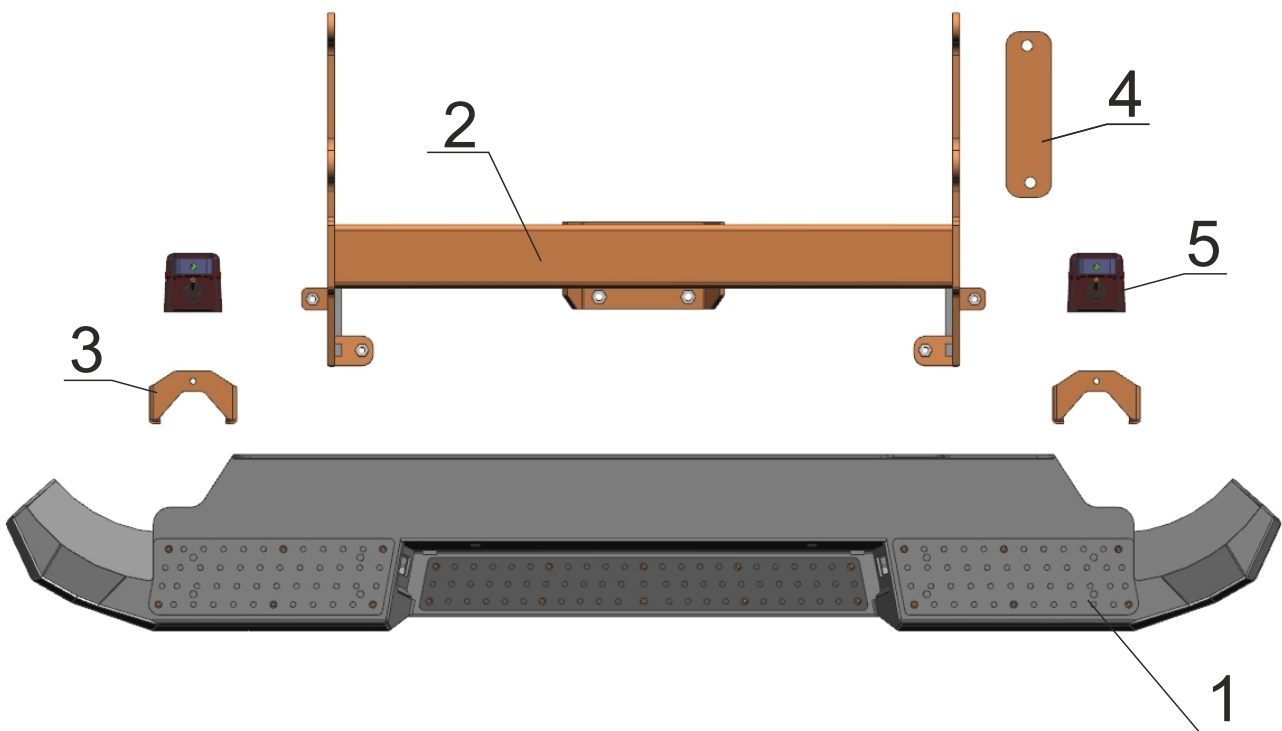
Violating information above can cause damage of the bumper or/and towbar.

*COMPATIBLE LIGHTS



PARTS LISTING

1. Aluminum bumper body.....	1 pc
2. Bumper bracket.....	1 pc
3. Light bracket.....	2 pc
4. Adjusting bar.....	8 pc
5. Blind head screw M6x16.....	8 pc
6. Blind head screw M10x30.....	4 pc
7. Bolt M12x1,25x25.....	4 pc
8. Washer M6.....	8 pc
9. Washer M10.....	4 pc
10. Washer M12.....	4 pc
11. Double-sided tape.....	4 pc
12. Sticky pad.....	4 pc
13. Plastic clamps.....	4 pc



INSTALLATION PROCEDURE



1. Remove bolts shown on the picture, from both left and right sides of the vehicle.

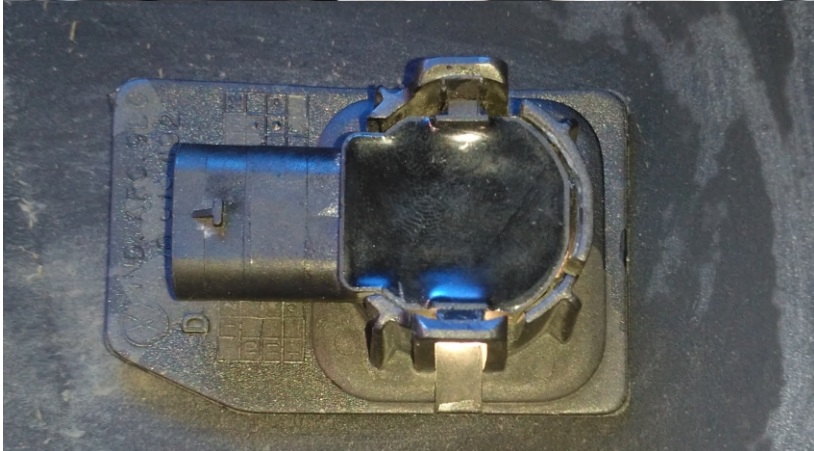
Remove bumper.



***Step 2 and 3 are for the vehicles equipped with parking sensors:**

2. Remove sensors out of the bumper and disconnect.

Remove wires from the bumper.



3. Stick holder of parking sensor to aluminum bumper body using 2-side tape.



4. Remove license plate lights and install them to RIVAL bumper.

INSTALLATION PROCEDURE



5. Mount lights (if supplied) to the brackets (4).

Adjust position of the lights and tighten screws.



6. Install lights with brackets to bumper using screws M6x16 and washers M6.

Adjust position of the lights.

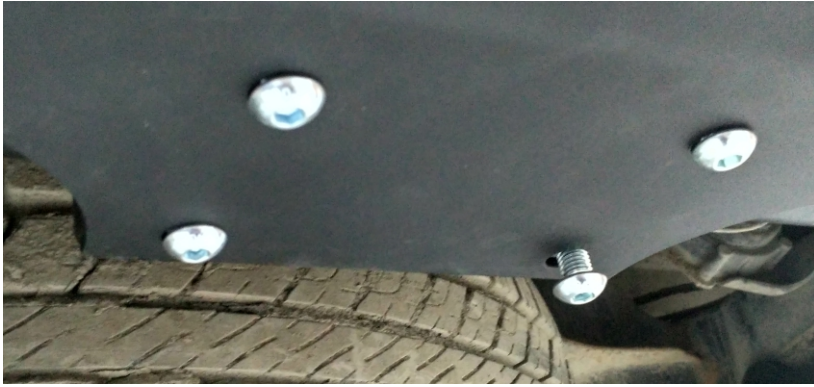


7. Mount bracket to the chassis using factory bolts from the bumper. Use adjusting bars.



8. Mount bumper body to the bracket using screws M10x30 and washers 10.

INSTALLATION PROCEDURE



9. Fix lower part of bumper to bracket.

INSTALLATION PROCEDURE

Before operating a vehicle fitted with a RIVAL bumper:

- make sure all fittings are tightened
- check all electrical wiring attached to lights

